

FAN

Long Life

Low Noise

High Performance

Customized



ANTI-EXPLOSION EC FAN

FULLTECH'S TECHNOLOGY ON
SPECIFIC MOTORSEALING TO AVOID
THE POSSIBLE SPARK



ATEX EC Fan
IP68 Rated
Waterproof & Dustproof

Application on / in the equipment of
possible explosive gas.
Ex: Freezer, Refrigerator and so on.

The following features can be incorporated into
ATEX explosion-proof EC fans:

*** PWM (Pulse Width Modulation)**

Using PWM speed control allows for effective
adjustment of fan speed to meet various cooling
requirement.

*** RD (Rotation Detection)**

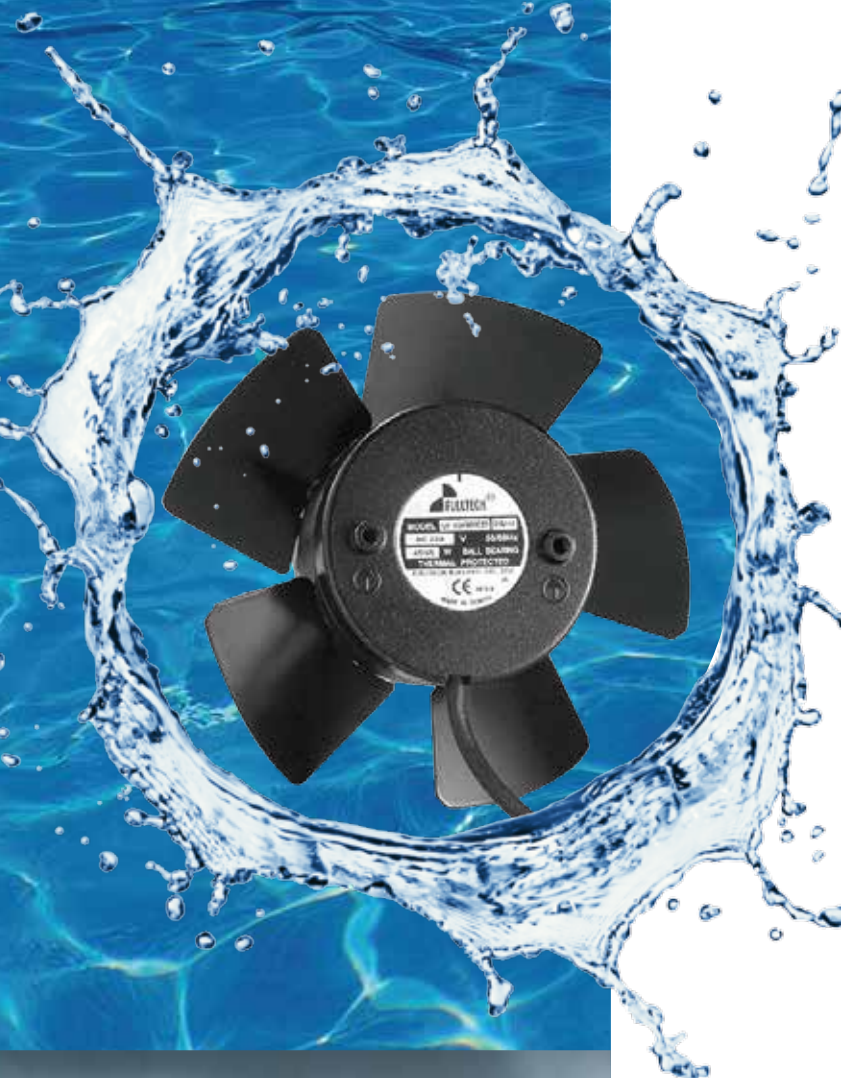
Check the running status of the fan. When the fan
operates abnormally or fails, the RD detection will
send out a warning to alert the user to check the
status of the fan.

*** FG (Frequency Generation)**

The main function is to provide the system about
the rotation information of the fan. When the fan
stops, it stops outputting the speed signal.



If you are interested in the above special customized fans,
please contact us for more information. Email: contact@fulltech.com.tw



WATERPROOF AND DUSTPROOF FAN

AC FAN
IP55 Rated
Waterproof & Dustproof

To stop moisture into the fans to decrease fan life cycles. It is applicable on the outdoor equipment or high humid environment.

Ex: LED scoreboards; Electricity charging station and so on.



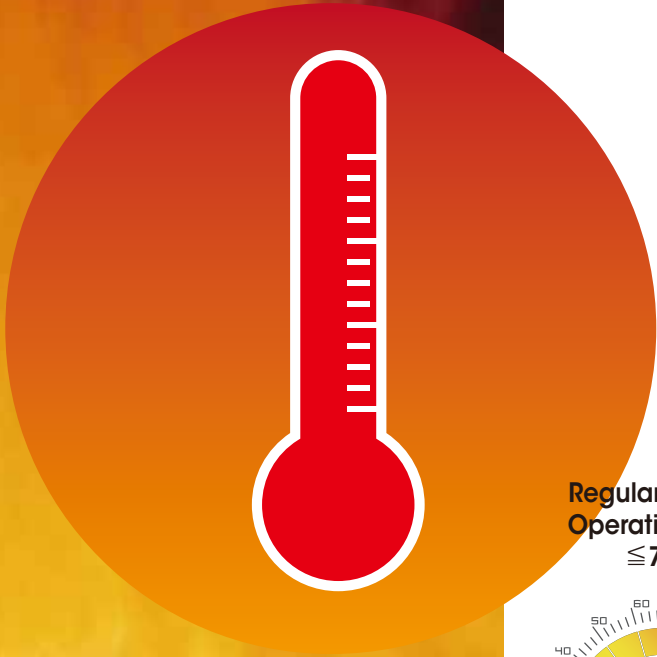
ANTI-SALT SPRAY FAN (G)

IP68 Rated

- * Applied with anti-rusted coating
- * Test according to CNS8886Z8026
Conduct with specialized anti-salt spray testing machine for 96 hours.
Anti-salt spray testing for 24 hours is equal to using in natural environment for 1 year.
- * It is applicable for equipment near the sea side or in high humid environment.



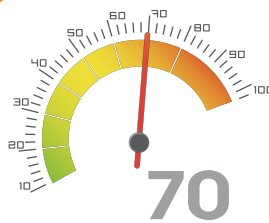
If you are interested in the above special customized fans, please contact us for more information. Email: contact@fulltech.com.tw



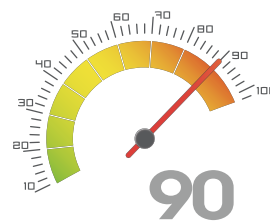
HIGH TEMPERATURE RATED FAN

Designed for customers' demand in high temperature operation environment.
Insulated rate :
Class F and Class H

Regular: Class-B
Operation temp.
 $\leq 70^{\circ}\text{C}$



Regular: Class-F
Operation temp.
 $\leq 90^{\circ}\text{C}$



Regular: Class-H
Operation temp.
 $\leq 100^{\circ}\text{C}$



TEMPERATURE CONTROL FAN

AC variable temperature control speed, two-speed or three-speed fan.

Specially designed for cooling applications in charging station cabinets, our solution enables the simultaneous operation of multiple fans to quickly cool down the system during high-temperature conditions. When if the temperature decreases, the excess fans will be automatically turned off, resulting in energy-saving and power-efficient operations.



High Temperature



Low Temperature

ON



OFF

If you are interested in the above special customized fans,
please contact us for more information. Email: contact@fulltech.com.tw

Index

■ AC TUBE AXIAL FAN.....	6
UF25H(C) Series / 25G(CB) Series.....	7
UF25G(CA) Series / 25G(C) Series.....	8
UF25G(CM) Series / 25G(CE) Series.....	9
UF22F Series / 20J(C) Series.....	10
UF20T(C) Series / UF18J(C) Series.....	11
UF17P Series / UF17P(C) Series.....	12
UF16F(C) Series / UF15P Series.....	13
UF15P(C) Series / UF15P(E) Series.....	14
UF15K(C) Series / UF15K(CR) Series.....	15
UF15K(M) Series / UF15K(MR) Series.....	16
UF15K(ME) Series / UF15K(MRE) Series.....	17
UF15A(C) Series / UF15A Series.....	18
UF13A Series / UF12A(R) Series.....	19
UF12A Series / UF12A(E) Series.....	20
UF12A(MR) Series / UF12A(M) Series.....	21
UF12B(R) Series / UF12B Series.....	22
UF92A(M) Series / UF92A Series.....	23
UF92B Series / UF80A(M) Series.....	24
UF80A Series / UF80B Series.....	25
UF60D Series.....	26
■ CROSS FLOW FAN.....	27
UF9060 Series / UF9446 Series.....	28
UF9439 Series / UF9029 Series.....	29
UF6036 Series / UF6030 Series.....	30
UF6017 Series.....	31

■ EXTERNAL ROTOR FAN.....	32
UFT200BMB Series / UFT200BPB Series.....	33
UFT25GBP Series / UFT15PBPB Series.....	34
UFT12ABPB Series / UFT92ABPB Series.....	35
UFT92BBPB Series / UFT80BBPB Series.....	36
UFT60BBPB Series / UFT170DAA Serie.....	37
UFD160DPB Series / UF300BNA Series.....	38
UF250BMB Series / UF250BMB-E Series.....	39
UF250BMB-B Series / UF250BMA Series.....	40
UF200BMB Series / UF200BMB-E Series.....	41
UF200BMB-B Series / UF200BMA Series.....	42
UF180BAB Series / UF400AAA Series.....	43
UF360AAA Series / UF318AAA Series.....	44
UF250APA Series / UF250APA-F Series.....	45
UF225(99)APA Series / UF225(99)APA-F Series.....	46
UF225(85)APA Series / 225(69)APA Series.....	47
UF220APA Series / UF220APA-F Series.....	48
UF190APA Series / UF190APA-F Series.....	49
UF175AMA Series / UF180APA Series.....	50
UF180(55)APA Series / UF133(91)APA Series.....	51
UF133(72)APA Series / UF160DPB Series.....	52
UF90DPB Series.....	53
■ DUCT FAN.....	54
DF200P Series / DF150P Series.....	55
■ ACCESSORIES	
Fan Guard.....	56
Plastic Guard (PC).....	59
Fan Filter (PC) / Plug Cords.....	61
Duct Ring (for Centrifugal Fan).....	63

AC TUBE AXIAL FAN

General Data:

- Frame/Housing : Aluminum die-casting
- Impeller : Plastic PBT PC, nylon or metal.
- Bearing System : Ball bearing or sleeve bearing
- Motor : Shaded pole or capacitor start-run
- Connection : Lead wire or terminal type
- Protection : Impedance-Protected or Thermally-Protected
- Insulation Resistance : Above 100MΩ, DC500V.
- Dielectric withstand voltage : AC 1,500V (50/60Hz) one minute
- Life Expectancy : Ball bearing: Over 40,000 hr. (at 40°C)
Sleeve bearing: Over 15,000 hr. (at 40°C)
- Safety Approval : CUL, CE, TUV, IP55 either UL or ETL.



CONFORMS TO
ANSI/UL STD 507
CERTIFIED TO
CAN/CSA C22.2
STD NO:113

IP55

- Description of Model No.

UF	12	A	(R)	11	B	T	H	N
1	2	3	4	5	6	7	8	9

1. Model Series:

UF: Fulltech

2. Size:

12: 120 x 120mm

13: 127 x 127mm

92: 92 x 92mm

80: 80 x 80mm

15: 150 x 172mm

60: 60 x 60mm

16: 160 x 160mm

18: 180 x 180mm

20: 205 x 205mm

17: Ø172mm

22: Ø223mm

25: Ø254mm

3. Thickness:

A: 38mm

B: 25mm

D: 30mm

G: 89mm

K: 55mm

P: 51mm

F: 62mm

J: 90mm

H: 107mm

T: 72mm

4. Special Design:

C: Capacitor Start-run

R: Reverse Air

M: Metal Impeller

CR: Capacitor Induction

Motor + Reverse Air

MR: Metal Impeller +
Reverse Air

E: Without Frame

A: 3 Phases

CM: Capacitor

Start-run + Metal
Impeller

5. Input Voltage:

11: 115V

23: 230V

10: 100V

20: 200V

6. Bearing:

B: Ball

S: Sleeve

7. Electrical Connection:

T: Terminal Type

W: Lead Wire

8. Speed:

H: High

M: Medium

L: Low

9. Feature:

N: Motor Sealed

D: Stator Painted

S: Tachometer Sensor
Fan

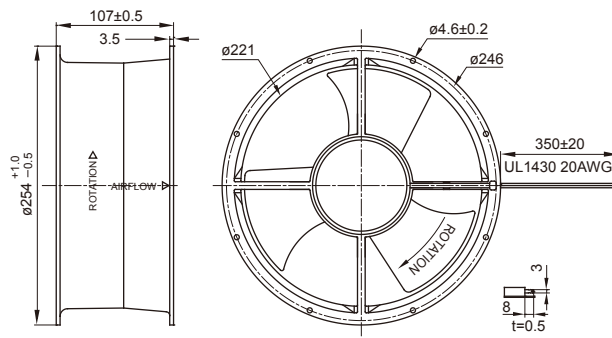
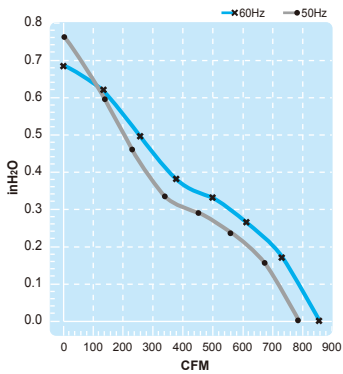
F: Class F

Special or custom design are welcome. For example as follow:

- Dual voltage type of 115V / 230V.
- Dual speed type or multiple speed type.
- Special voltage type, like AC24V, 48V, 380V.
- Hall sensor type.

UF25H(C) Series

Size : $\varnothing 254 \times 107$
Unit : mm



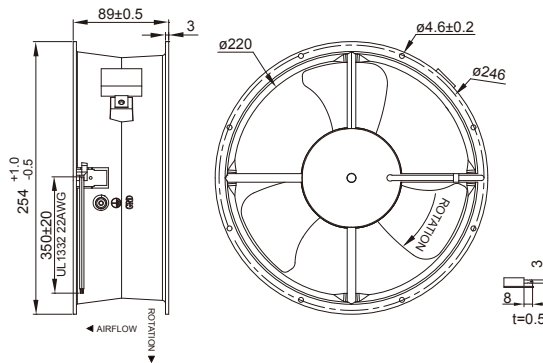
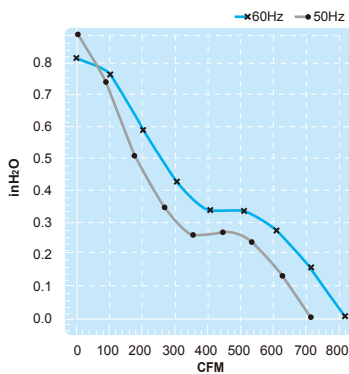
Terminal or Lead Wire Type

Thermally-Protected

Spec. Model	Rated Voltage V	Frequency Hz	Input Power W	Rated Current A	Locked Current A	Speed RPM	Maximum Air Flow m ³ /min.	Maximum Air Flow CFM	Maximum Pressure mmH ₂ O	Maximum Pressure InchH ₂ O	Noise dB	Weight kg
UF25HC11-H	115	50	95	0.85	1.65	2600	22	780	19.0	0.75	63	2.5
		60	125	1.07	1.50	2750	24	850	17.5	0.68	65	
UF25HC23-H	230	50	95	0.42	0.80	2600	22	780	19.0	0.75	63	2.5
		60	125	0.50	0.75	2750	24	850	17.5	0.68	65	

UF25G(CB) Series

Size : $\varnothing 254 \times 89$
Unit : mm



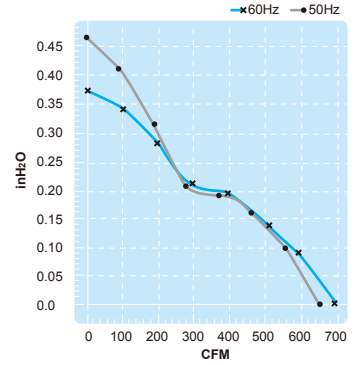
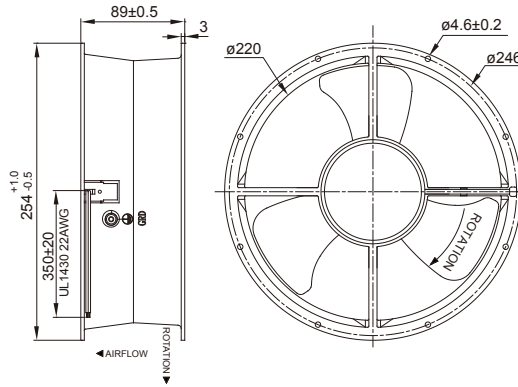
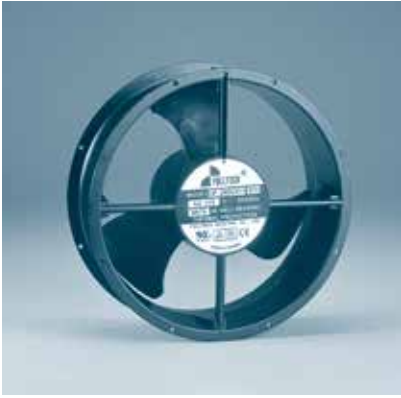
Terminal or Lead Wire Type

Thermally-Protected

Spec. Model	Rated Voltage V	Frequency Hz	Input Power W	Rated Current A	Locked Current A	Speed RPM	Maximum Air Flow m ³ /min.	Maximum Air Flow CFM	Maximum Pressure mmH ₂ O	Maximum Pressure InchH ₂ O	Noise dB	Weight kg
UF25GCB11-H	115	50	68	0.62	1.16	2800	20.2	713	22.7	0.90	62	2.3
		60	96	0.88	1.16	3200	23.0	812	20.7	0.82	65	
UF25GCB23-H	230	50	70	0.32	0.60	2800	20.2	713	22.7	0.90	62	2.3
		60	98	0.45	0.60	3200	23.0	812	20.7	0.82	65	

UF25G(CA) Series

Size : $\varnothing 254 \times 89$
Unit : mm



Thermally-Protected

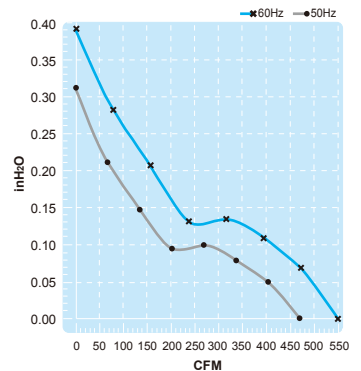
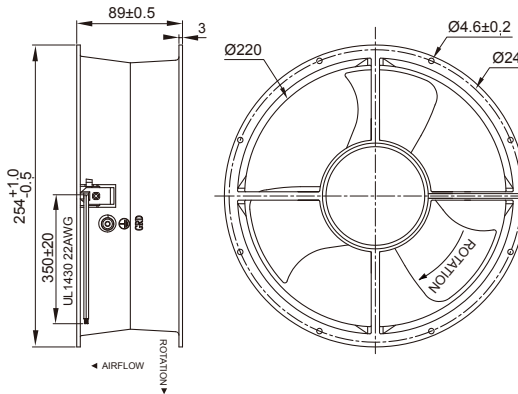
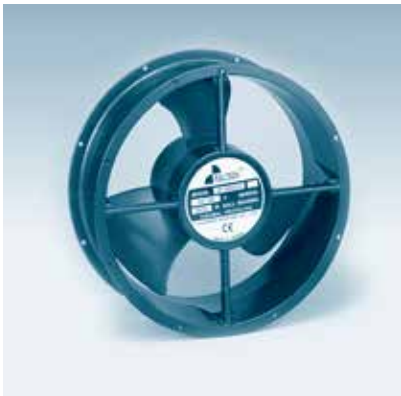
Terminal or Lead Wire Type



Spec. Model	Rated Voltage V	Frequency Hz	Input Power W	Rated Current A	Locked Current A	Speed RPM	Maximum Air Flow m ³ /min.	Maximum Air Flow CFM	Maximum Pressure mmH ₂ O	Maximum Pressure InchH ₂ O	Noise dB	Weight kg
UF25GCA11-H	115	50	60	0.51	0.71	2500	18.5	650	11.7	0.46	61	1.9
		60	75	0.66	0.70	2600	19.3	680	9.40	0.37	62	
UF25GCA23-H	230	50	60	0.25	0.36	2500	18.5	650	11.7	0.46	61	1.9
		60	75	0.35	0.36	2600	19.3	680	9.40	0.37	62	

UF25G(C) Series

Size : $\varnothing 254 \times 89$
Unit : mm



Thermally-Protected

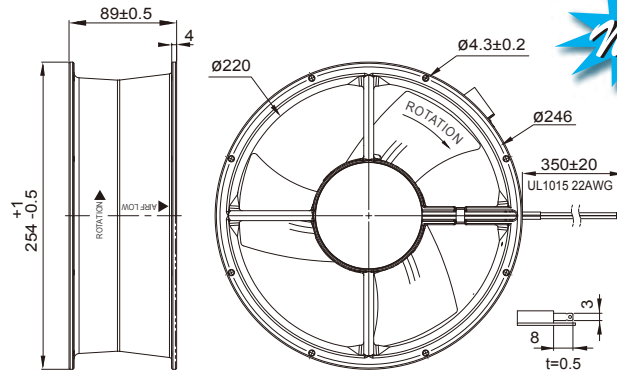
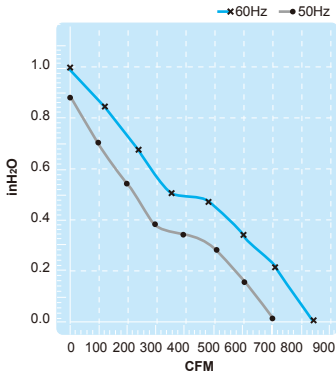
Terminal or Lead Wire Type



Spec. Model	Rated Voltage V	Frequency Hz	Input Power W	Rated Current A	Locked Current A	Speed RPM	Maximum Air Flow m ³ /min.	Maximum Air Flow CFM	Maximum Pressure mmH ₂ O	Maximum Pressure InchH ₂ O	Noise dB	Weight kg
UF25GC10-H	100	50	36	0.45	0.74	1400	13.0	460	8.0	0.32	52	1.9
		60	36	0.40	0.72	1650	15.5	550	10.0	0.40	55	
UF25GC11-H	115	50	31	0.30	0.53	1400	13.0	460	8.0	0.32	52	1.9
		60	33	0.29	0.51	1650	15.5	550	10.0	0.40	55	
UF25GC20-H	200	50	36	0.22	0.35	1400	13.0	460	8.0	0.32	52	1.9
		60	36	0.19	0.34	1650	15.5	550	10.0	0.40	55	
UF25GC23-H	230	50	31	0.14	0.26	1400	13.0	460	8.0	0.32	52	1.9
		60	33	0.14	0.25	1650	15.5	550	10.0	0.40	55	

UF25G(CM) Series

Size : $\varnothing 254 \times 89$
Unit : mm



* Metal Impeller



Terminal or Lead Wire Type

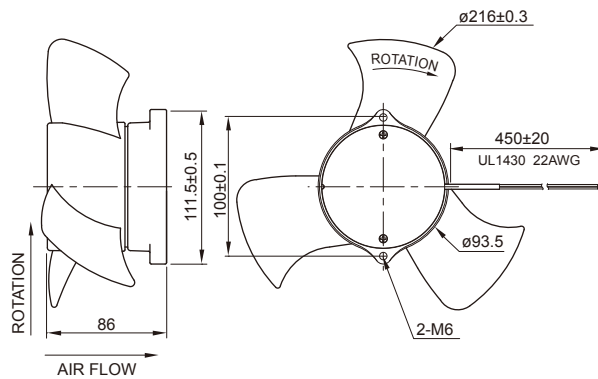
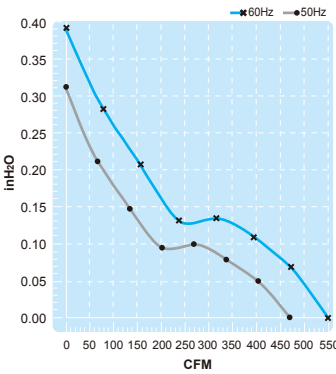
Thermally-Protected



Spec.	Rated Voltage	Frequency	Input Power	Rated Current	Locked Current	Speed	Maximum Air Flow	Maximum Air Flow	Maximum Pressure	Maximum Pressure	Noise	Weight
Model	V	Hz	W	A	A	RPM	m ³ /min.	CFM	mmH ₂ O	InchH ₂ O	dB	kg
UF25GCM11-H	115	50	62	0.70	1.92	3800	20.1	709	22.5	0.89	66	2.7
		60	80	0.70	1.87	3250	23.8	841	25.3	1.00	70	
UF25GCM23-H	230	50	62	0.35	0.81	2800	20.1	709	22.5	0.89	66	2.7
		60	80	0.35	0.80	3250	23.8	841	25.3	1.00	70	
UF25GCM11-M	115	50	45	0.40	0.64	2500	17.8	627	13.3	0.52	64	2.7
		60	60	0.52	0.66	2650	19.0	671	12.4	0.49	65	
UF25GCM23-M	230	50	45	0.20	0.32	2500	17.8	627	13.3	0.52	64	2.7
		60	60	0.26	0.33	2650	19.0	671	12.4	0.49	65	

UF25G(CE) Series

Size : $\varnothing 216 \times 86$
Unit : mm



Lead Wire Type

Thermally-Protected

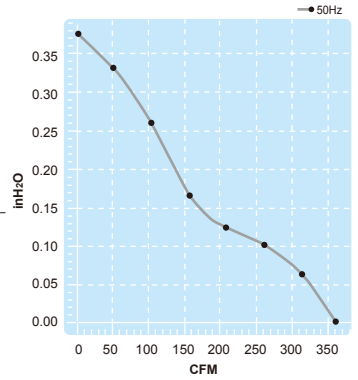
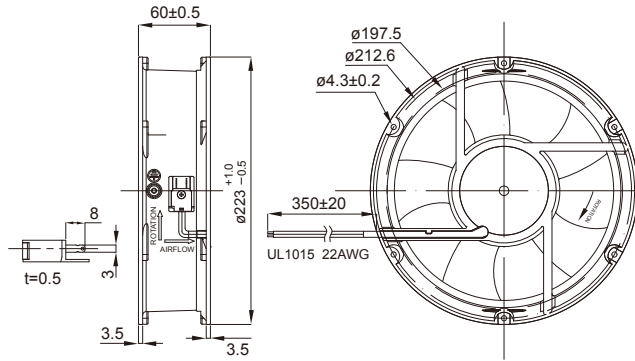


IP55

Spec.	Rated Voltage	Frequency	Input Power	Rated Current	Locked Current	Speed	Maximum Air Flow	Maximum Air Flow	Maximum Pressure	Maximum Pressure	Noise	Weight
Model	V	Hz	W	A	A	RPM	m ³ /min.	CFM	mmH ₂ O	InchH ₂ O	dB	kg
UF25GCE11-H	115	50	36	0.30	0.53	1400	13.0	460	8.0	0.32	52	1.4
		60	39	0.29	0.51	1650	15.5	550	10.0	0.40	55	
UF25GCE23-H	230	50	36	0.14	0.26	1400	13.0	460	8.0	0.32	52	1.4
		60	39	0.14	0.25	1650	15.5	550	10.0	0.40	55	

UF22F Series

Size : $\varnothing 223 \times 60$
Unit : mm



Thermally-Protected

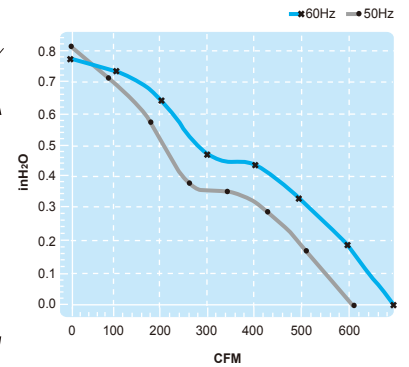
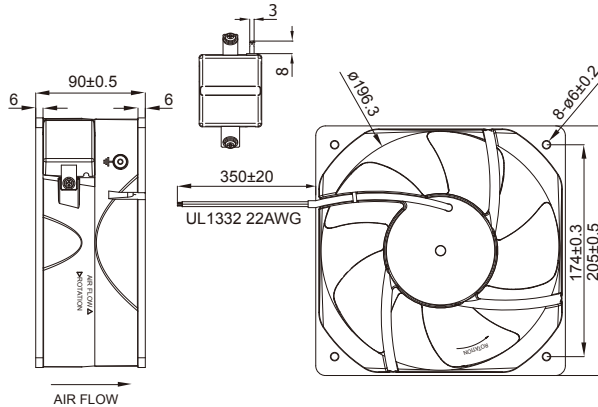
Terminal or Lead Wire Type



Spec. Model	Rated Voltage V	Frequency Hz	Input Power W	Rated Current A	Locked Current A	Speed RPM	Maximum Air Flow m ³ /min.	Maximum Air Flow CFM	Maximum Pressure mmH ₂ O	Maximum Pressure InchH ₂ O	Noise dB	Weight kg
UF22F23-H	230	50	47	0.35	0.56	2700	11	400	10.9	0.43	57	1.5

UF20J(C) Series

Size : $205 \times 205 \times 90$
Unit : mm



Thermally-Protected

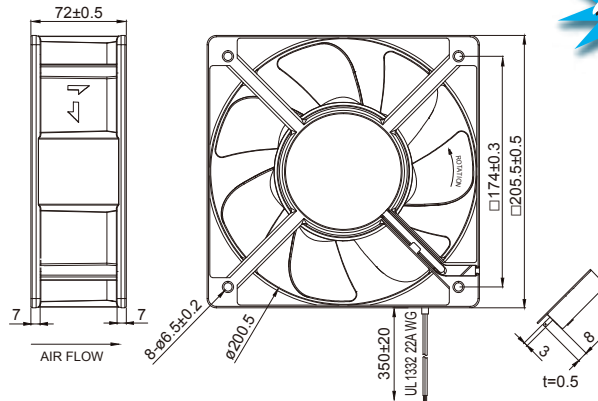
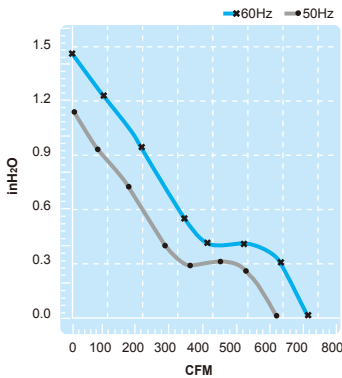
Terminal or Lead Wire Type



Spec. Model	Rated Voltage V	Frequency Hz	Input Power W	Rated Current A	Locked Current A	Speed RPM	Maximum Air Flow m ³ /min.	Maximum Air Flow CFM	Maximum Pressure mmH ₂ O	Maximum Pressure InchH ₂ O	Noise dB	Weight kg
UF20JC11-H	115	50	70	0.62	1.22	2800	17.0	600	20.3	0.80	67	2.4
		60	98	0.90	1.22	3200	19.3	680	19.8	0.77	71	
UF20JC23-H	230	50	70	0.32	0.60	2800	17.0	600	20.3	0.80	67	2.4
		60	98	0.45	0.61	3200	19.3	680	19.8	0.77	71	

UF20T(C) Series

Size : 205 x 205 x 72
Unit : mm



Terminal or Lead Wire Type

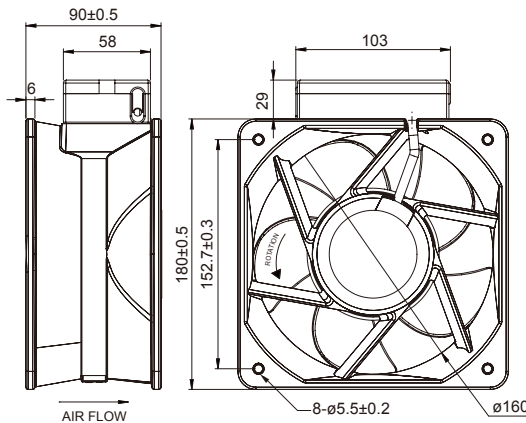
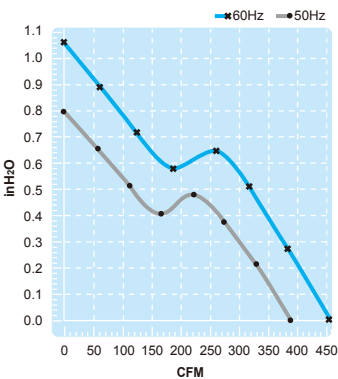
Thermally-Protected



Spec. Model	Rated Voltage V	Frequency Hz	Input Power W	Rated Current A	Locked Current A	Speed RPM	Maximum Air Flow m ³ /min.	Maximum Air Flow CFM	Maximum Pressure mmH ₂ O	Maximum Pressure InchH ₂ O	Noise dB	Weight kg
UF20TC11-H	115	50	92	0.80	2.8	2850	17.3	610	28.9	1.15	68	2.4
		60	126	1.10	2.6	3350	20.1	710	36.8	1.45	72	
UF20TC23-H	230	50	92	0.42	1.4	2850	17.3	610	28.9	1.15	68	2.4
		60	126	0.52	1.3	3350	20.1	710	36.8	1.45	72	

UF18J(C) Series

Size : 180 x 180 x 90
Unit : mm



Terminal Box Type

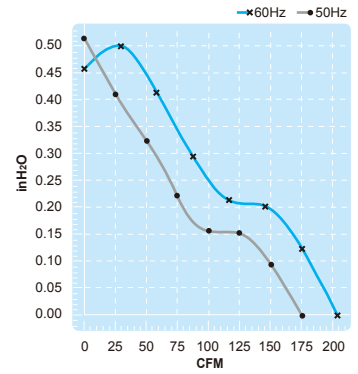
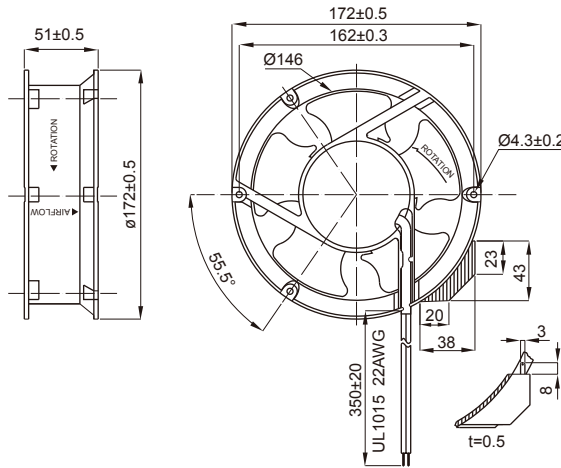
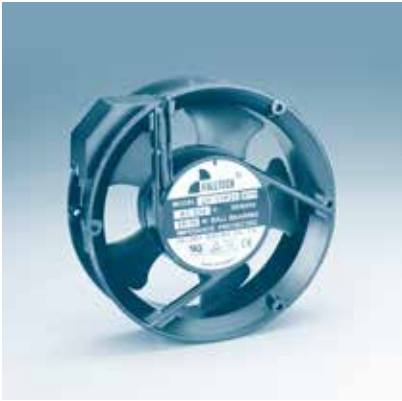
Thermally-Protected



Spec. Model	Rated Voltage V	Frequency Hz	Input Power W	Rated Current A	Locked Current A	Speed RPM	Maximum Air Flow m ³ /min.	Maximum Air Flow CFM	Maximum Pressure mmH ₂ O	Maximum Pressure InchH ₂ O	Noise dB	Weight kg
UF18JC10-H	100	50	78	1.05	2.05	2850	11	390	20	0.78	54	2.2
		60	72	0.77	2.30	3400	13	460	27	1.06	59	
UF18JC11-H	115	50	78	0.88	2.00	2850	11	390	20	0.78	54	2.2
		60	72	0.63	2.01	3400	13	460	27	1.06	59	
UF18JC20-H	200	50	75	0.48	0.97	2850	11	390	20	0.78	54	2.2
		60	72	0.38	0.98	3400	13	460	27	1.06	59	
UF18JC23-H	230	50	75	0.42	1.00	2850	11	390	20	0.78	54	2.2
		60	72	0.31	1.01	3400	13	460	27	1.06	59	

UF17P Series

Size : $\varnothing 172 \times 51$
Unit : mm



Impedance-Protected

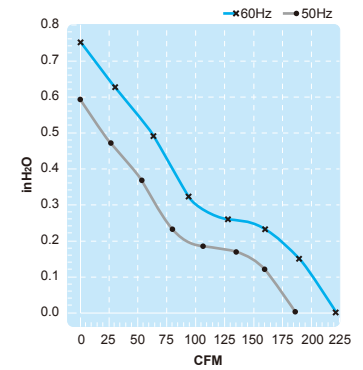
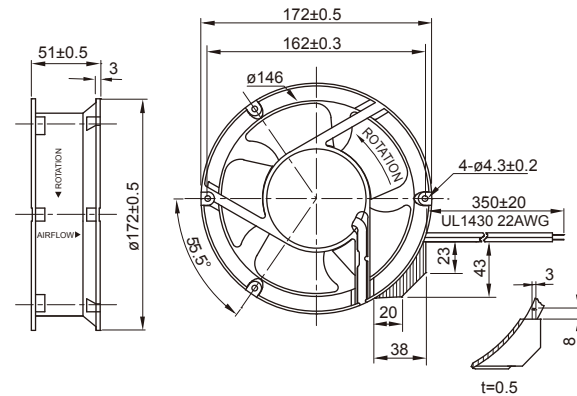
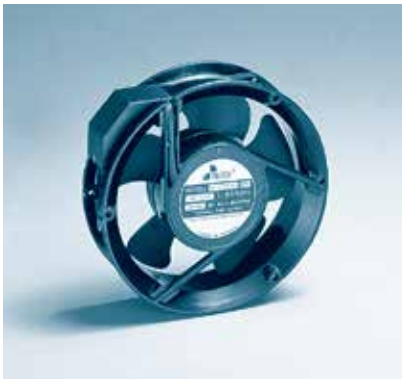
Terminal or Lead Wire Type



Spec. Model	Rated Voltage V	Frequency Hz	Input Power W	Rated Current A	Locked Current A	Speed RPM	Maximum Air Flow m ³ /min.	Maximum Air Flow CFM	Maximum Pressure mmH ₂ O	Maximum Pressure InchH ₂ O	Noise dB	Weight kg
UF17P11-H	115	50	32	0.43	0.51	2750	4.8	170	10.5	0.42	49	0.9
		60	28	0.36	0.45	3100	5.5	195	9.5	0.38	53	
UF17P23-H	230	50	35	0.23	0.29	2750	4.8	170	10.5	0.42	49	0.9
		60	30	0.18	0.25	3100	5.5	195	9.5	0.38	53	

UF17P(C) Series

Size : $\varnothing 172 \times 51$
Unit : mm



Thermally-Protected

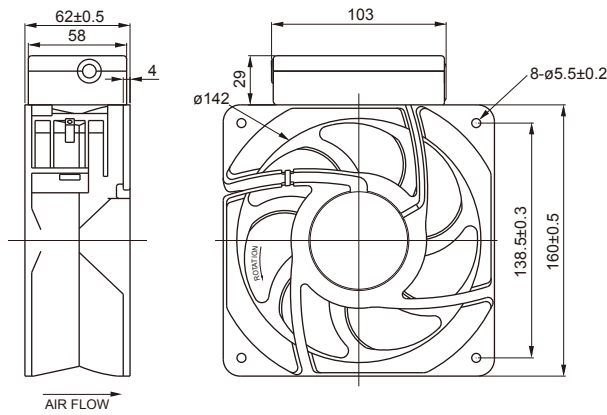
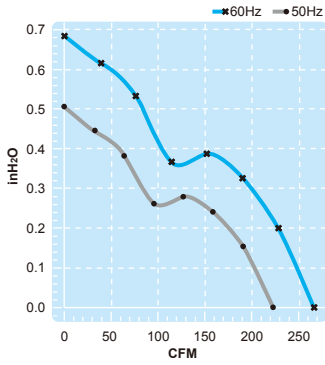
Terminal or Lead Wire Type



Spec. Model	Rated Voltage V	Frequency Hz	Input Power W	Rated Current A	Locked Current A	Speed RPM	Maximum Air Flow m ³ /min.	Maximum Air Flow CFM	Maximum Pressure mmH ₂ O	Maximum Pressure InchH ₂ O	Noise dB	Weight kg
UF17PC10-H	100	50	30	0.33	0.50	2850	5.8	205	16	0.63	50	0.82
		60	30	0.29	0.52	3400	6.4	226	20	0.79	55	
UF17PC11-H	115	50	31	0.26	0.41	2850	5.8	205	16	0.63	50	0.82
		60	31	0.25	0.43	3400	6.4	226	20	0.79	55	
UF17PC20-H	200	50	29	0.15	0.23	2850	5.8	205	16	0.63	50	0.82
		60	29	0.14	0.25	3400	6.4	226	20	0.79	55	
UF17PC23-H	230	50	29	0.12	0.19	2850	5.8	205	16	0.63	50	0.82
		60	29	0.12	0.19	3400	6.4	226	20	0.79	55	
UF17PC11-L	115	50	31	0.17	0.21	1400	2.5	88	3.8	0.15	31	0.82
		60	31	0.15	0.20	1700	3.0	106	5.5	0.22	37	
UF17PC23-L	230	50	29	0.08	0.09	1400	2.5	88	3.8	0.15	31	0.82
		60	29	0.07	0.09	1700	3.0	106	5.5	0.22	37	

UF16F(C) Series

Size : 160 x 160 x 62
Unit : mm



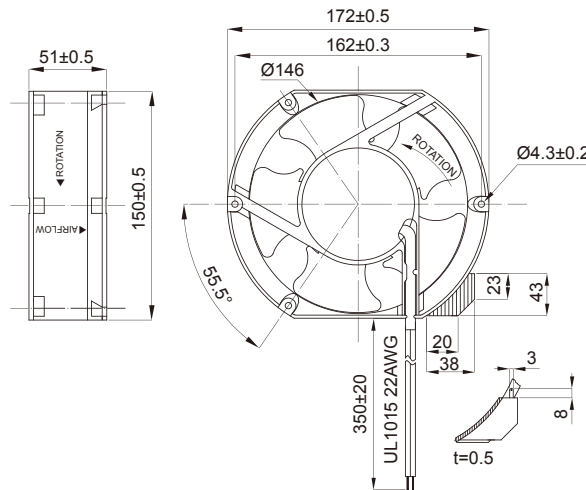
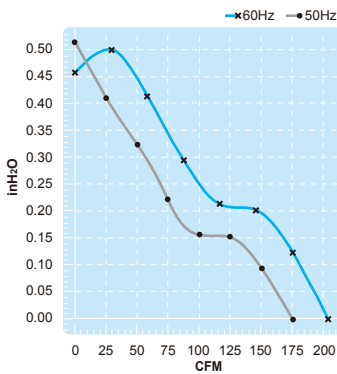
Terminal Box Type

Thermally-Protected

Spec. Model	Rated Voltage V	Frequency Hz	Input Power W	Rated Current A	Locked Current A	Speed RPM	Maximum Air Flow m ³ /min.	Maximum Air Flow CFM	Maximum Pressure mmH ₂ O	Maximum Pressure InchH ₂ O	Noise dB	Weight kg
UF16FC10-H	100	50	46	0.54	0.88	2850	6.3	222	13.5	0.53	52	1.33
		60	41	0.44	0.92	3400	7.5	265	18.2	0.72	56	
UF16FC11-H	115	50	46	0.43	0.80	2850	6.3	222	13.5	0.53	52	1.33
		60	41	0.34	0.79	3400	7.5	265	18.2	0.72	56	
UF16FC20-H	200	50	46	0.27	0.45	2850	6.3	222	13.5	0.53	52	1.33
		60	41	0.22	0.48	3400	7.5	265	18.2	0.72	56	
UF16FC23-H	230	50	46	0.22	0.40	2850	6.3	222	13.5	0.53	52	1.33
		60	41	0.17	0.41	3400	7.5	265	18.2	0.72	56	

UF15P Series

Size : 172 x 150 x 51
Unit : mm



IP55

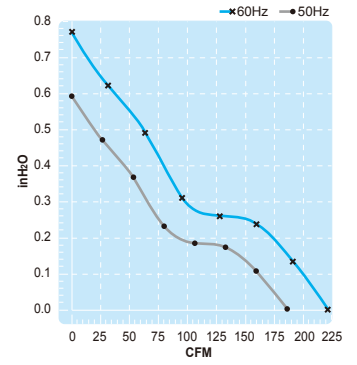
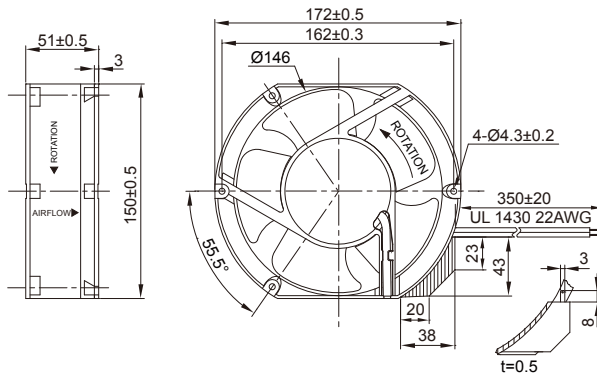
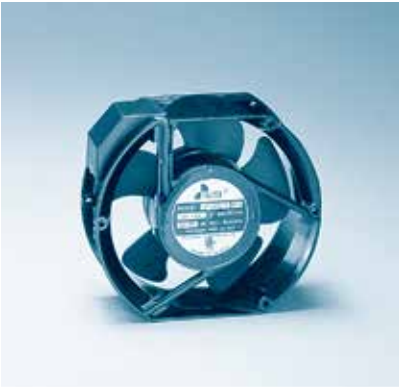
Terminal or Lead Wire Type

Impedance-Protected

Spec. Model	Rated Voltage V	Frequency Hz	Input Power W	Rated Current A	Locked Current A	Speed RPM	Maximum Air Flow m ³ /min.	Maximum Air Flow CFM	Maximum Pressure mmH ₂ O	Maximum Pressure InchH ₂ O	Noise dB	Weight kg
UF15P11-H	115	50	32	0.43	0.51	2750	4.8	170	10.5	0.42	50	0.9
		60	28	0.36	0.45	3100	5.5	195	9.5	0.38	55	
UF15P23-H	230	50	35	0.23	0.29	2750	4.8	170	10.5	0.42	50	0.9
		60	30	0.18	0.25	3100	5.5	195	9.5	0.38	55	

UF15P(C) Series

Size : 172 x 150 x 51
Unit : mm



Thermally-Protected

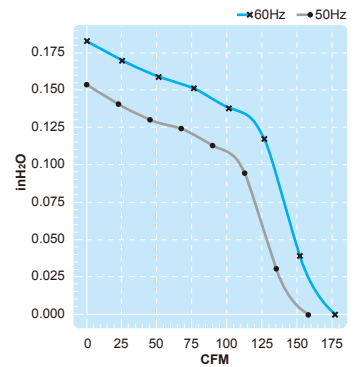
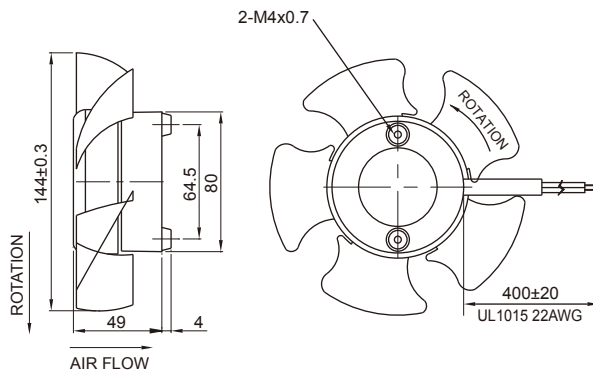
Terminal or Lead Wire Type



Spec. Model	Rated Voltage V	Frequency Hz	Input Power W	Rated Current A	Locked Current A	Speed RPM	Maximum Air Flow m ³ /min.	Maximum Air Flow CFM	Maximum Pressure mmH ₂ O	Maximum Pressure InchH ₂ O	Noise dB	Weight kg
UF15PC10-H	100	50	30	0.33	0.50	2850	5.8	205	16	0.63	53	0.8
		60	30	0.29	0.52	3400	6.4	226	20	0.79	58	
UF15PC11-H	115	50	31	0.26	0.41	2850	5.8	205	16	0.63	53	0.8
		60	31	0.25	0.43	3400	6.4	226	20	0.79	58	
UF15PC20-H	200	50	29	0.15	0.23	2850	5.8	205	16	0.63	53	0.8
		60	29	0.14	0.25	3400	6.4	226	20	0.79	58	
UF15PC23-H	230	50	29	0.12	0.19	2850	5.8	205	16	0.63	53	0.8
		60	29	0.12	0.19	3400	6.4	226	20	0.79	58	
UF15PC11-L	115	50	31	0.17	0.21	1400	2.5	88	3.8	0.15	31	0.8
		60	31	0.15	0.20	1700	3.0	106	5.5	0.22	37	
UF15PC23-L	230	50	29	0.08	0.09	1400	2.5	88	3.8	0.15	31	0.8
		60	29	0.07	0.09	1700	3.0	106	5.5	0.22	37	

UF15P(E) Series

Size : Ø144 x 53
Unit : mm



Impedance-Protected

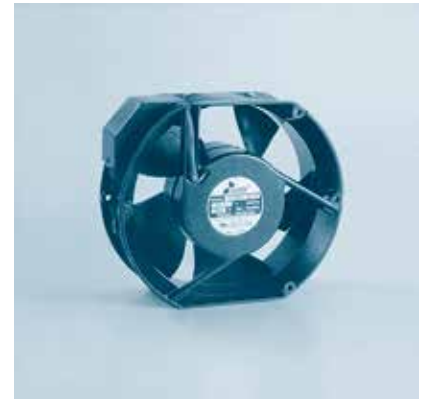
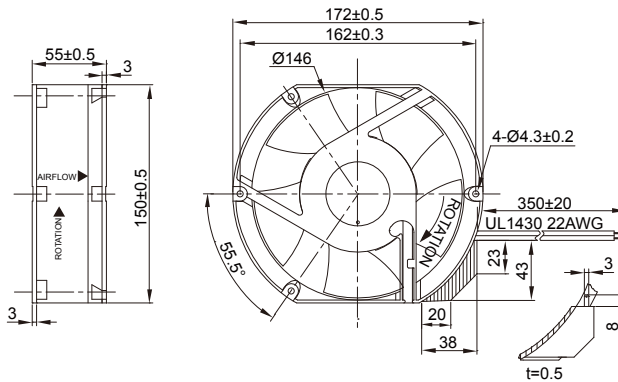
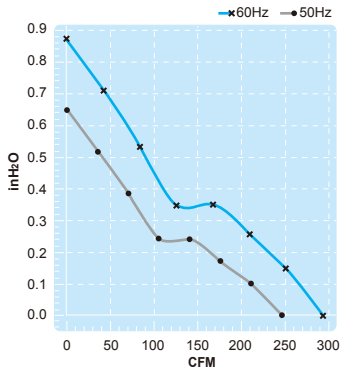
Lead Wire Type



Spec. Model	Rated Voltage V	Frequency Hz	Input Power W	Rated Current A	Locked Current A	Speed RPM	Maximum Air Flow m ³ /min.	Maximum Air Flow CFM	Maximum Pressure mmH ₂ O	Maximum Pressure InchH ₂ O	Noise dB	Weight kg
UF15PE11-H	115	50	36	0.51	0.62	2650	4.53	160	4.06	0.16	48	0.78
		60	33	0.42	0.54	2950	5.10	180	4.57	0.18	53	
UF15PE23-H	230	50	36	0.24	0.29	2650	4.53	160	4.06	0.16	48	0.78
		60	33	0.20	0.25	2950	5.10	180	4.57	0.18	53	

UF15K(C) Series

Size : 172 x 150 x 55
Unit : mm



Terminal or Lead Wire Type

Thermally-Protected

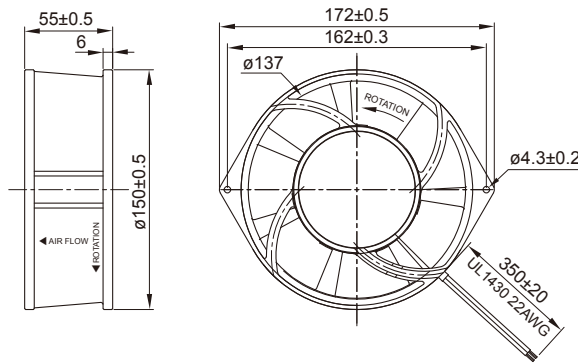
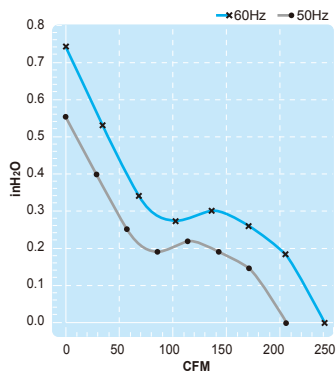


IP55

Spec. Model	Rated Voltage V	Frequency Hz	Input Power W	Rated Current A	Locked Current A	Speed RPM	Maximum Air Flow m ³ /min.	Maximum Air Flow CFM	Maximum Pressure mmH ₂ O	Maximum Pressure InchH ₂ O	Noise dB	Weight kg
UF15KC11-H	115	50	39	0.38	0.750	2900	6.8	240	17	0.67	55	1.05
		60	38	0.34	0.760	3400	8.3	293	23	0.90	60	
UF15KC23-H	230	50	38	0.18	0.380	2900	6.8	240	17	0.67	55	1.05
		60	38	0.17	0.380	3400	8.3	293	23	0.90	60	

UF15K(CR) Series

Size : 172 x 150 x 55
Unit : mm



Terminal or Lead Wire Type

Thermally-Protected

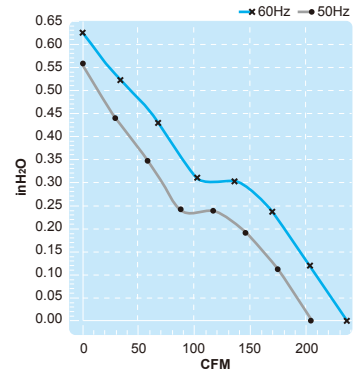
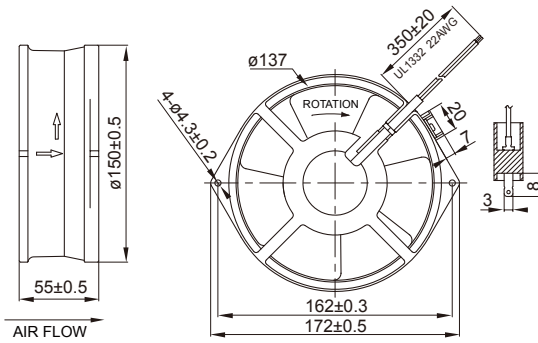


Spec. Model	Rated Voltage V	Frequency Hz	Input Power W	Rated Current A	Locked Current A	Speed RPM	Maximum Air Flow m ³ /min.	Maximum Air Flow CFM	Maximum Pressure mmH ₂ O	Maximum Pressure InchH ₂ O	Noise dB	Weight kg
UF15KCR10-H	100	50	28	0.32	0.72	2850	5.8	205	14.0	0.55	61	1.08
		60	32	0.33	0.72	3400	6.8	241	18.5	0.73	66	
UF15KCR11-H	115	50	26	0.24	0.58	2850	5.8	205	14.0	0.55	61	1.08
		60	30	0.25	0.58	3400	6.8	241	18.5	0.73	66	
UF15KCR20-H	200	50	28	0.15	0.35	2850	5.8	205	14.0	0.55	61	1.08
		60	32	0.16	0.35	3400	6.8	241	18.5	0.73	66	
UF15KCR23-H	230	50	26	0.11	0.28	2850	5.8	205	14.0	0.55	61	1.08
		60	31	0.13	0.28	3400	6.8	241	18.5	0.73	66	

UF15K(M) Series

Size : 172 x 150 x 55
Unit : mm

* Metal Impeller



Thermally-Protected

Terminal or Lead Wire Type

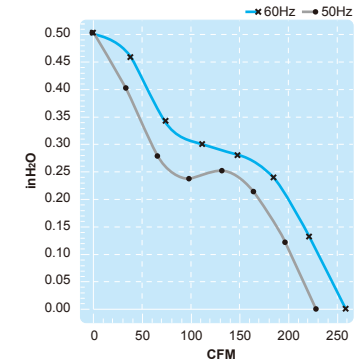
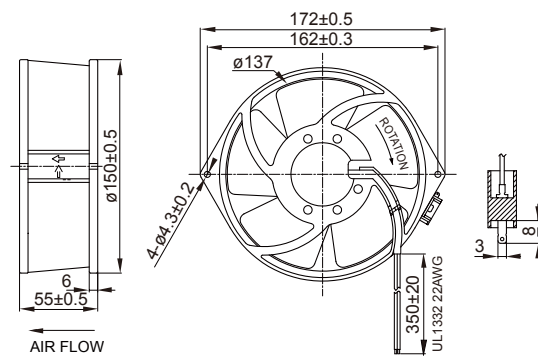


Spec. Model	Rated Voltage V	Frequency Hz	Input Power W	Rated Current A	Locked Current A	Speed RPM	Maximum Air Flow m ³ /min.	Maximum Air Flow CFM	Maximum Pressure mmH ₂ O	Maximum Pressure InchH ₂ O	Noise dB	Weight kg
UF15KM10-H	100	50	40	0.58	1.03	2800	5.5	195	14	0.55	49	1.10
		60	38	0.50	0.89	3250	6.5	230	16	0.63	53	
UF15KM11-H	115	50	42	0.52	0.88	2800	5.5	195	14	0.55	49	1.10
		60	42	0.47	0.75	3250	6.5	230	16	0.63	53	
UF15KM20-H	200	50	40	0.29	0.50	2800	5.5	195	14	0.55	49	1.10
		60	38	0.26	0.45	3250	6.5	230	16	0.63	53	
UF15KM23-H	230	50	42	0.25	0.43	2800	5.5	195	14	0.55	49	1.10
		60	42	0.23	0.37	3250	6.5	230	16	0.63	53	

UF15K(MR) Series

Size : 172 x 150 x 55
Unit : mm

* Metal Impeller



Thermally-Protected

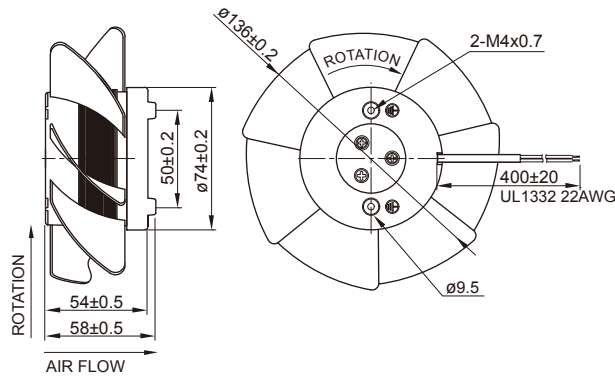
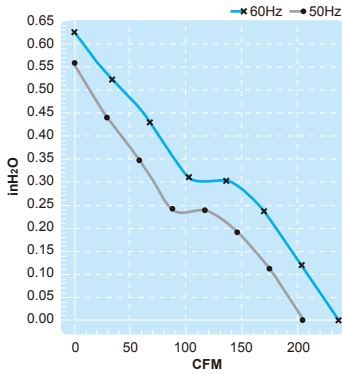
Terminal or Lead Wire Type



Spec. Model	Rated Voltage V	Frequency Hz	Input Power W	Rated Current A	Locked Current A	Speed RPM	Maximum Air Flow m ³ /min.	Maximum Air Flow CFM	Maximum Pressure mmH ₂ O	Maximum Pressure InchH ₂ O	Noise dB	Weight kg
UF15KMR10-H	100	50	43	0.60	1.03	2750	6.4	225	12.5	0.50	58	1.10
		60	43	0.57	0.86	3150	7.2	255	12.5	0.50	61	
UF15KMR11-H	115	50	45	0.54	0.90	2750	6.4	225	12.5	0.50	58	1.10
		60	45	0.51	0.80	3150	7.2	255	12.5	0.50	61	
UF15KMR20-H	200	50	43	0.30	0.50	2750	6.4	225	12.5	0.50	58	1.10
		60	43	0.28	0.43	3150	7.2	255	12.5	0.50	61	
UF15KMR23-H	230	50	45	0.27	0.44	2750	6.4	225	12.5	0.50	58	1.10
		60	45	0.25	0.38	3150	7.2	255	12.5	0.50	61	

UF15K(ME) Series

Size : $\phi 136 \times 58$
Unit : mm



* Metal Impeller



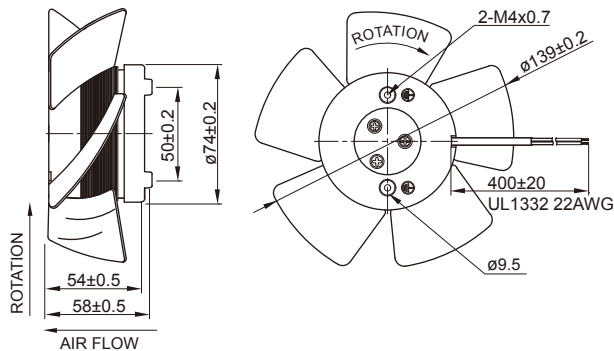
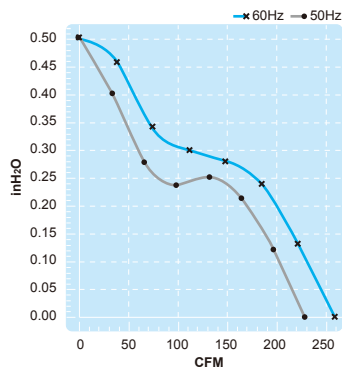
Lead Wire Type

Thermally-Protected

Spec.	Rated Voltage	Frequency	Input Power	Rated Current	Locked Current	Speed	Maximum Air Flow	Maximum Air Flow	Maximum Pressure	Maximum Pressure	Noise	Weight
Model	V	Hz	W	A	A	RPM	m ³ /min.	CFM	mmH ₂ O	InchH ₂ O	dB	kg
UF15KME11-H	115	50	42	0.51	0.87	2800	5.5	195	14	0.55	45	0.91
		60	42	0.46	0.74	3250	6.5	230	16	0.63	50	
UF15KME23-H	230	50	42	0.25	0.43	2800	5.5	195	14	0.55	45	0.91
		60	42	0.23	0.37	3250	6.5	230	16	0.63	50	

UF15K(MRE) Series

Size : $\phi 139 \times 58$
Unit : mm



* Metal Impeller



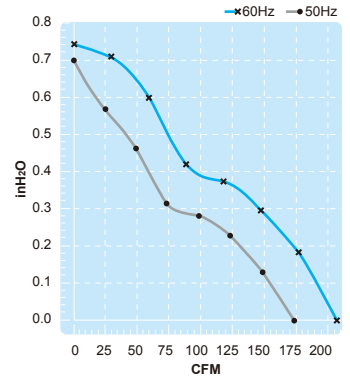
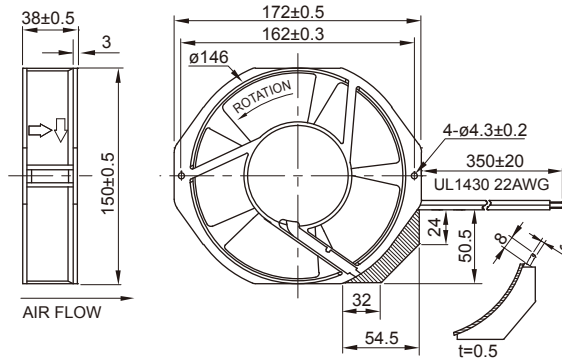
Lead Wire Type

Thermally-Protected

Spec.	Rated Voltage	Frequency	Input Power	Rated Current	Locked Current	Speed	Maximum Air Flow	Maximum Air Flow	Maximum Pressure	Maximum Pressure	Noise	Weight
Model	V	Hz	W	A	A	RPM	m ³ /min.	CFM	mmH ₂ O	InchH ₂ O	dB	kg
UF15KMRE11-H	115	50	45	0.54	0.90	2750	6.4	225	12.5	0.50	54	0.85
		60	45	0.51	0.80	3150	7.2	255	12.5	0.50	57	
UF15KMRE23-H	230	50	45	0.27	0.44	2750	6.4	225	12.5	0.50	54	0.85
		60	45	0.25	0.38	3150	7.2	255	12.5	0.50	57	

UF15A(C) Series

Size : 172 x 150 x 38
Unit : mm



Thermally-Protected

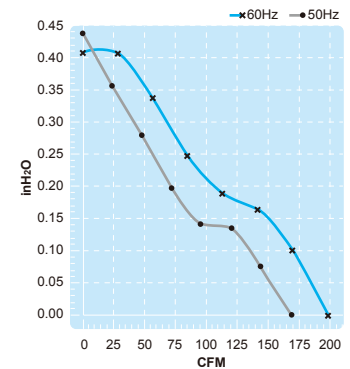
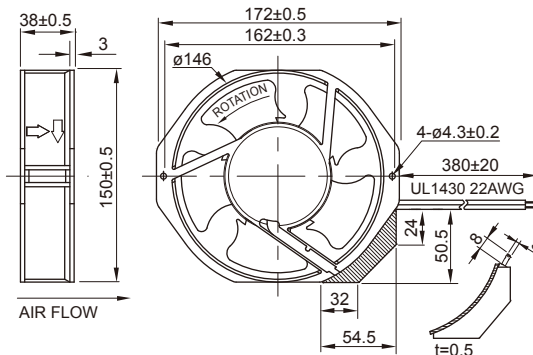
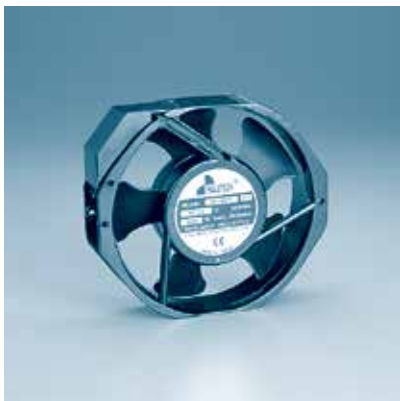
Terminal or Lead Wire Type



Spec. Model	Rated Voltage V	Frequency Hz	Input Power W	Rated Current A	Locked Current A	Speed RPM	Maximum Air Flow m ³ /min.	Maximum Air Flow CFM	Maximum Pressure mmH ₂ O	Maximum Pressure InchH ₂ O	Noise dB	Weight kg
UF15AC10-H	100	50	27	0.29	0.47	2850	5.0	177	17.0	0.67	54	0.72
		60	25	0.25	0.47	3400	6.0	212	19.0	0.75	58	
UF15AC11-H	115	50	29	0.25	0.36	2850	5.0	177	17.0	0.67	54	0.72
		60	28	0.23	0.38	3400	6.0	212	19.0	0.75	58	
UF15AC20-H	200	50	27	0.13	0.21	2850	5.0	177	17.0	0.67	54	0.72
		60	25	0.12	0.22	3400	6.0	212	19.0	0.75	58	
UF15AC23-H	230	50	27	0.11	0.18	2850	5.0	177	17.0	0.67	54	0.72
		60	26	0.11	0.18	3400	6.0	212	19.0	0.75	58	
UF15AC11-L	115	50	29	0.17	0.20	1400	2.4	85	4.50	0.18	38	0.72
		60	28	0.15	0.20	1700	2.9	103	6.50	0.26	44	
UF15AC23-L	230	50	27	0.08	0.10	1400	2.4	85	4.50	0.18	38	0.72
		60	26	0.07	0.10	1700	2.9	103	6.50	0.26	44	

UF15A Series

Size : 172 x 150 x 38
Unit : mm



Impedance-Protected

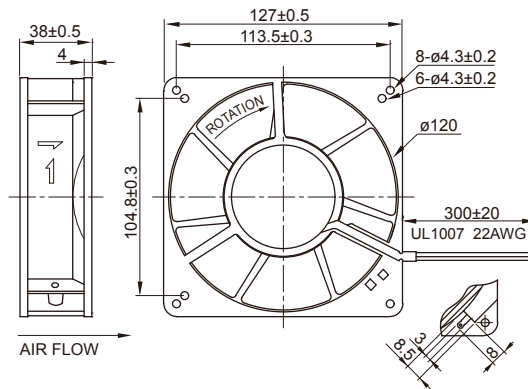
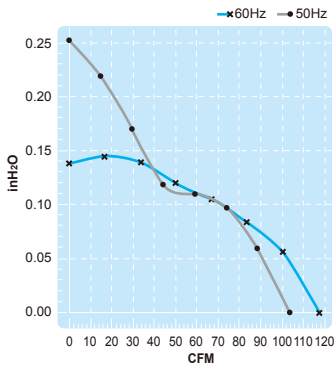
Terminal or Lead Wire Type



Spec. Model	Rated Voltage V	Frequency Hz	Input Power W	Rated Current A	Locked Current A	Speed RPM	Maximum Air Flow m ³ /min.	Maximum Air Flow CFM	Maximum Pressure mmH ₂ O	Maximum Pressure InchH ₂ O	Noise dB	Weight kg
UF15A11-H	115	50	36	0.50	0.66	2750	4.7	166	11	0.43	50	0.78
		60	30	0.38	0.56	3200	5.6	198	10	0.40	55	
UF15A23-H	230	50	39	0.25	0.32	2750	4.7	166	11	0.43	50	0.78
		60	31	0.19	0.28	3200	5.6	198	10	0.40	55	

UF13A Series

Size : 127 x 127 x 38
Unit : mm



IP55

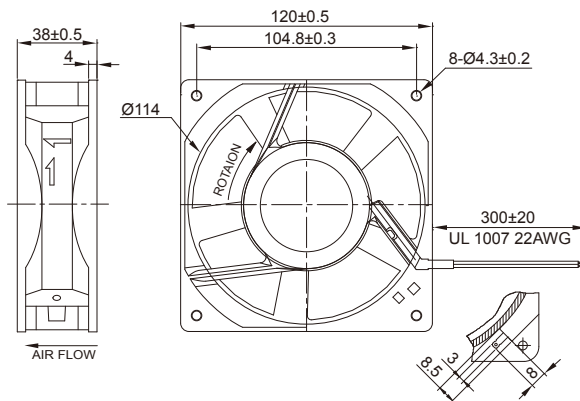
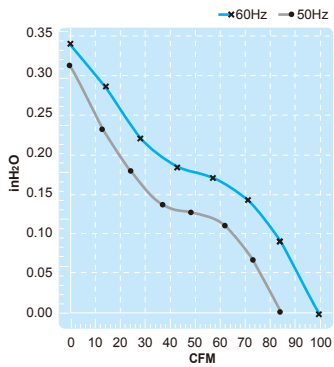
Terminal or Lead Wire Type

Impedance-Protected

Spec. Model	Rated Voltage V	Frequency Hz	Input Power W	Rated Current A	Locked Current A	Speed RPM	Maximum Air Flow m ³ /min.	Maximum Air Flow CFM	Maximum Pressure mmH ₂ O	Maximum Pressure InchH ₂ O	Noise dB	Weight kg
UF13A10-H	100	50	15	0.24	0.33	2700	2.9	103	7.3	0.29	46	0.55
		60	13	0.20	0.27	3000	3.4	120	2.8	0.11	50	
UF13A11-H	115	50	14	0.20	0.26	2700	2.9	103	7.3	0.29	46	0.55
		60	12	0.16	0.23	3000	3.4	120	2.8	0.11	50	
UF13A20-H	200	50	15	0.12	0.17	2700	2.9	103	7.3	0.29	46	0.55
		60	13	0.10	0.14	3000	3.4	120	2.8	0.11	50	
UF13A23-H	230	50	17	0.10	0.13	2700	2.9	103	7.3	0.29	46	0.55
		60	15	0.09	0.11	3000	3.4	120	2.8	0.11	50	

UF12A(R) Series

* Reverse Air Flow
Size : 120 x 120 x 38
Unit : mm



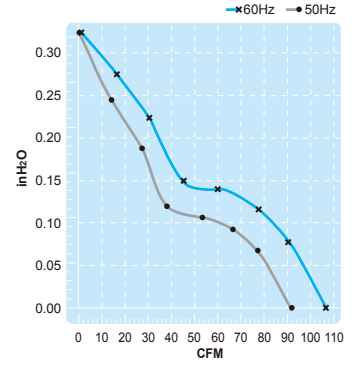
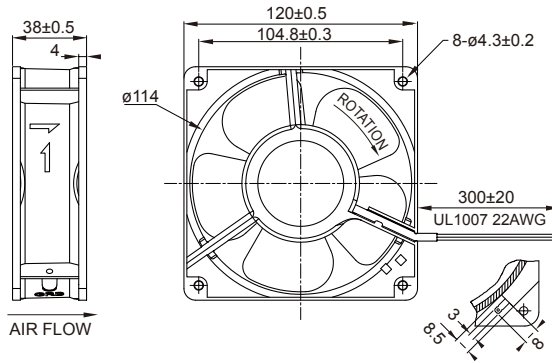
Terminal or Lead Wire Type

Impedance-Protected

Spec. Model	Rated Voltage V	Frequency Hz	Input Power W	Rated Current A	Locked Current A	Speed RPM	Maximum Air Flow m ³ /min.	Maximum Air Flow CFM	Maximum Pressure mmH ₂ O	Maximum Pressure InchH ₂ O	Noise dB	Weight kg
UF12AR10-H	100	50	15	0.24	0.33	2700	2.4	85	8.0	0.32	45	0.53
		60	13	0.20	0.27	3100	2.8	99	8.5	0.33	47	
UF12AR11-H	115	50	13	0.20	0.22	2700	2.4	85	8.0	0.32	45	0.53
		60	11	0.19	0.20	3100	2.8	99	8.5	0.33	47	
UF12AR20-H	200	50	15	0.12	0.17	2700	2.4	85	8.0	0.32	45	0.53
		60	13	0.10	0.13	3100	2.8	99	8.5	0.33	47	
UF12AR23-H	230	50	17	0.10	0.11	2700	2.4	85	8.0	0.32	45	0.53
		60	15	0.09	0.10	3100	2.8	99	8.5	0.33	47	
UF12AR11-M	115	50	13	0.18	0.20	2500	2.2	78	6.0	0.24	43	0.53
		60	11	0.17	0.19	2750	2.4	85	6.5	0.26	45	
UF12AR23-M	230	50	17	0.09	0.10	2500	2.2	78	6.0	0.24	43	0.53
		60	15	0.08	0.09	2750	2.4	85	6.5	0.26	45	
UF12AR11-L	115	50	13	0.16	0.18	2100	1.9	67	3.8	0.15	36	0.53
		60	11	0.15	0.16	2300	2.1	75	4.0	0.16	38	
UF12AR23-L	230	50	17	0.08	0.09	2100	1.9	67	3.8	0.15	36	0.53
		60	15	0.07	0.08	2300	2.1	75	4.0	0.16	38	

UF12A Series

Size : 120 x 120 x 38
Unit : mm



Impedance-Protected

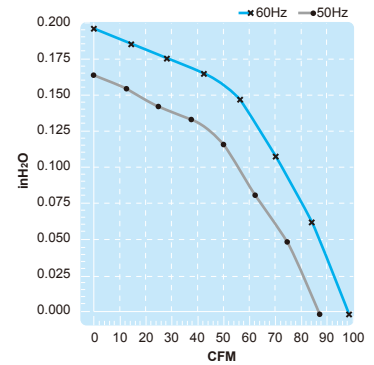
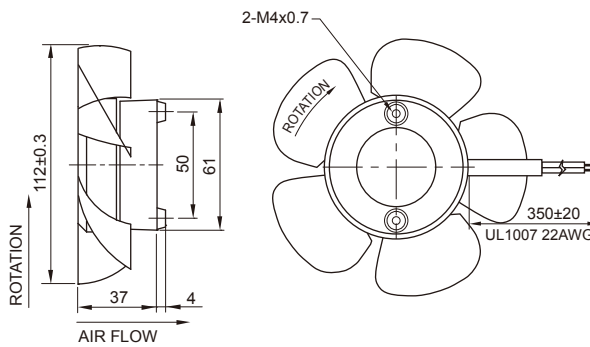
Terminal or Lead Wire Type



Spec. Model	Rated Voltage V	Frequency Hz	Input Power W	Rated Current A	Locked Current A	Speed RPM	Maximum Air Flow m ³ /min.	Maximum Air Flow CFM	Maximum Pressure mmH ₂ O	Maximum Pressure InchH ₂ O	Noise dB	Weight kg
UF12A10-H	100	50	15	0.25	0.33	2700	2.6	92	8.0	0.32	42	0.53
		60	13	0.20	0.28	3100	3.0	106	8.0	0.32	46	
UF12A11-H	115	50	14	0.20	0.27	2700	2.6	92	8.0	0.32	42	0.53
		60	12	0.16	0.23	3100	3.0	106	8.0	0.32	46	
UF12A20-H	200	50	19	0.12	0.17	2700	2.6	92	8.0	0.32	42	0.53
		60	16	0.10	0.13	3100	3.0	106	8.0	0.32	46	
UF12A23-H	230	50	17	0.14	0.17	2700	2.6	92	8.0	0.32	42	0.53
		60	15	0.11	0.15	3100	3.0	106	8.0	0.32	46	
UF12A11-M	115	50	14	0.18	0.20	2500	2.4	85	6.5	0.26	40	0.53
		60	12	0.17	0.19	2750	2.6	92	7.0	0.28	42	
UF12A23-M	230	50	17	0.09	0.10	2500	2.4	85	6.5	0.26	40	0.53
		60	15	0.08	0.09	2750	2.6	92	5.5	0.22	42	
UF12A11-L	115	50	14	0.16	0.18	2100	2.1	75	4.0	0.16	36	0.53
		60	12	0.15	0.16	2300	2.3	82	4.1	0.16	38	
UF12A23-L	230	50	17	0.08	0.09	2100	2.1	75	4.0	0.16	36	0.53
		60	15	0.07	0.08	2300	2.3	82	4.1	0.16	38	

UF12A(E) Series

Size : ø112 x 41
Unit : mm



Impedance-Protected

Lead Wire Type

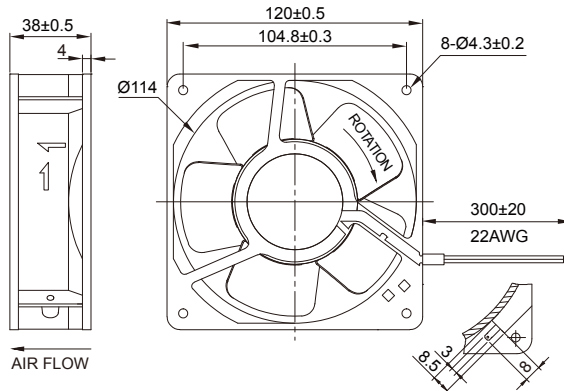
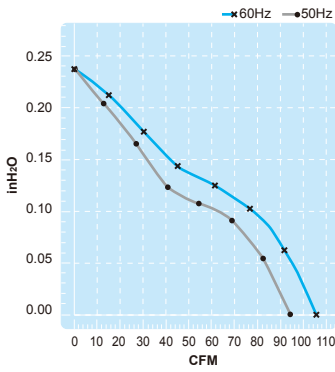


Spec. Model	Rated Voltage V	Frequency Hz	Input Power W	Rated Current A	Locked Current A	Speed RPM	Maximum Air Flow m ³ /min.	Maximum Air Flow CFM	Maximum Pressure mmH ₂ O	Maximum Pressure InchH ₂ O	Noise dB	Weight kg
UF12AE11-H	115	50	15	0.21	0.28	2700	2.4	85	4.0	0.15	38	0.37
		60	13	0.17	0.24	3000	2.7	95	4.8	0.18	42	
UF12AE23-H	230	50	16	0.11	0.14	2700	2.4	85	4.0	0.15	38	0.37
		60	14	0.09	0.12	3000	2.7	95	4.8	0.18	42	

UF12A(MR) Series

Size : 120 x 120 x 38
Unit : mm

* Metal Impeller



Impedance-Protected



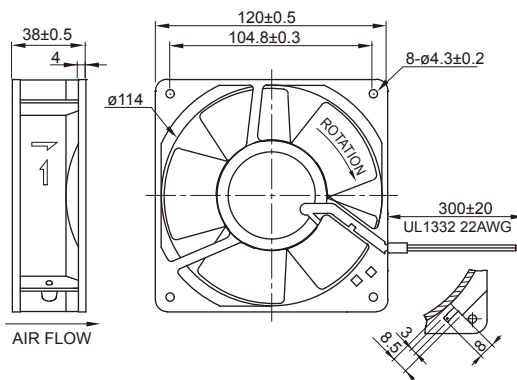
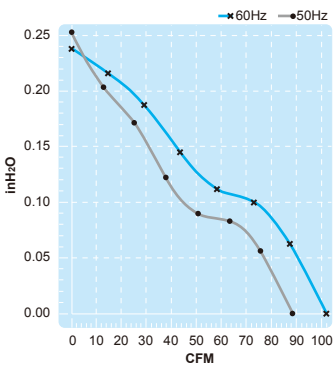
Terminal or Lead Wire Type

Spec. Model	Rated Voltage V	Frequency Hz	Input Power W	Rated Current A	Locked Current A	Speed RPM	Maximum Air Flow m ³ /min.	Maximum Air Flow CFM	Maximum Pressure mmH ₂ O	Maximum Pressure InchH ₂ O	Noise dB	Weight kg
UF12AMR11-H	115	50	18	0.22	0.26	2600	2.7	95	6.4	0.25	49	0.55
		60	16	0.19	0.23	2900	3.0	106	6.1	0.24	51	
UF12AMR23-H	230	50	20	0.12	0.15	2600	2.7	95	6.4	0.25	49	0.55
		60	18	0.11	0.13	3000	3.0	106	6.1	0.24	51	

UF12A(M) Series

Size : 120 x 120 x 38
Unit : mm

* Metal Impeller



Impedance-Protected



Terminal or Lead Wire Type

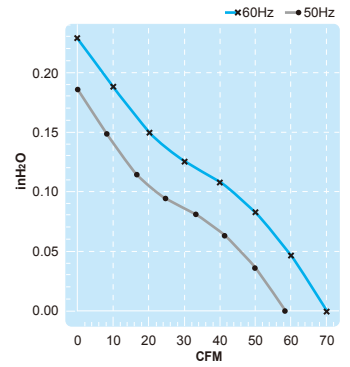
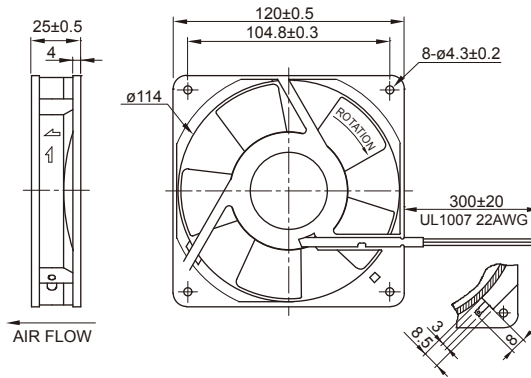
Spec. Model	Rated Voltage V	Frequency Hz	Input Power W	Rated Current A	Locked Current A	Speed RPM	Maximum Air Flow m ³ /min.	Maximum Air Flow CFM	Maximum Pressure mmH ₂ O	Maximum Pressure InchH ₂ O	Noise dB	Weight kg
UF12AM10-H	100	50	18	0.26	0.34	2700	2.5	89	6.5	0.26	42	0.55
		60	17	0.23	0.30	3100	2.9	103	6.0	0.24	46	
UF12AM11-H	115	50	15	0.17	0.25	2700	2.5	89	6.5	0.26	42	0.55
		60	13	0.15	0.22	3100	2.9	103	6.0	0.24	46	
UF12AM20-H	200	50	18	0.13	0.17	2700	2.5	89	6.5	0.26	42	0.55
		60	17	0.11	0.15	3100	2.9	103	6.0	0.24	46	
UF12AM23-H	230	50	17	0.10	0.13	2700	2.5	89	6.5	0.26	42	0.55
		60	15	0.09	0.12	3100	2.9	103	6.0	0.24	46	

UF12B(R) Series

Size : 120 x 120 x 25

Unit : mm

* Reverse Air Flow



Impedance-Protected

Terminal or Lead Wire Type

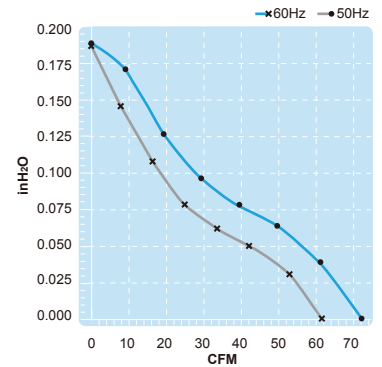
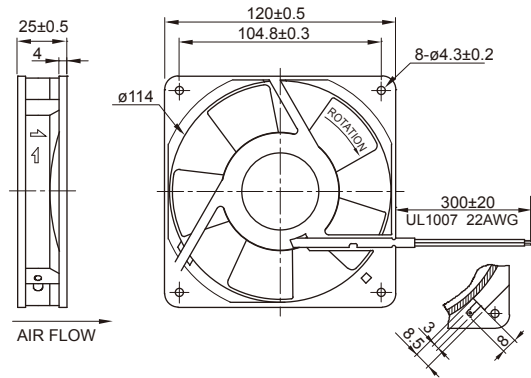


Spec.	Rated Voltage	Frequency	Input Power	Rated Current	Locked Current	Speed	Maximum Air Flow	Maximum Air Flow	Maximum Pressure	Maximum Pressure	Noise	Weight
Model	V	Hz	W	A	A	RPM	m ³ /min.	CFM	mmH ₂ O	InchH ₂ O	dB	kg
UF12BR11-H	115	50	14	0.15	0.16	2400	1.7	60	4.5	0.18	38	0.33
		60	11	0.12	0.15	2900	2.0	70	5.4	0.21	42	
UF12BR23-H	230	50	16	0.08	0.09	2400	1.7	60	4.5	0.18	38	0.33
		60	14	0.07	0.08	2900	2.0	70	5.4	0.21	42	

UF12B Series

Size : 120 x 120 x 25

Unit : mm



Impedance-Protected

Terminal or Lead Wire Type



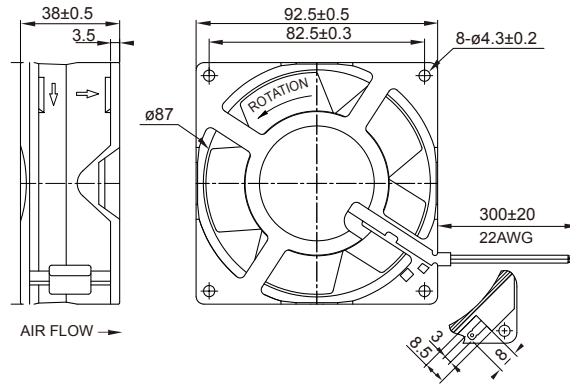
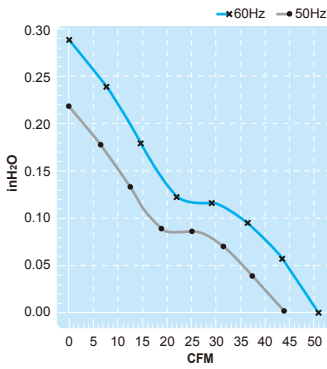
Spec.	Rated Voltage	Frequency	Input Power	Rated Current	Locked Current	Speed	Maximum Air Flow	Maximum Air Flow	Maximum Pressure	Maximum Pressure	Noise	Weight
Model	V	Hz	W	A	A	RPM	m ³ /min.	CFM	mmH ₂ O	InchH ₂ O	dB	kg
UF12B10-H	100	50	16	0.19	0.20	2400	1.8	62	4.7	0.19	38	0.33
		60	14	0.18	0.19	2900	2.1	75	4.7	0.19	42	
UF12B11-H	115	50	14	0.15	0.16	2400	1.8	62	4.7	0.19	38	0.33
		60	11	0.12	0.15	2900	2.1	75	4.7	0.19	42	
UF12B20-H	200	50	15	0.09	1.00	2400	1.8	62	4.7	0.19	38	0.33
		60	12	0.07	0.08	2900	2.1	75	4.7	0.19	42	
UF12B23-H	230	50	16	0.08	0.09	2400	1.8	62	4.7	0.19	38	0.33
		60	14	0.07	0.08	2900	2.1	75	4.7	0.19	42	
UF12B11-L	115	50	14	0.14	0.15	1600	1.3	42	1.8	0.07	31	0.33
		60	11	0.11	0.12	2000	1.5	53	2.7	0.11	33	
UF12B23-L	230	50	16	0.07	0.08	1600	1.3	42	1.8	0.07	31	0.33
		60	14	0.06	0.07	2000	1.5	53	2.7	0.11	33	

UF92A(M) Series

Size : 92.5 x 92.5 x 38

Unit : mm

* Metal Impeller



Terminal or Lead Wire Type

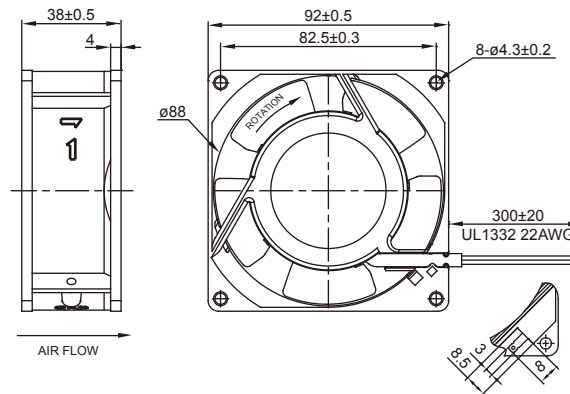
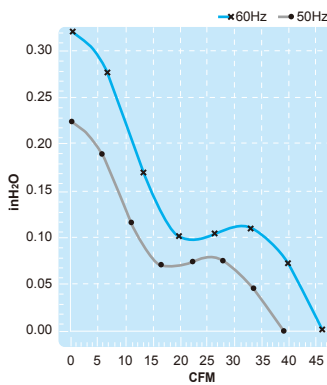
Impedance-Protected

Spec.	Rated Voltage	Frequency	Input Power	Rated Current	Locked Current	Speed	Maximum Air Flow	Maximum Air Flow	Maximum Pressure	Maximum Pressure	Noise	Weight
Model	V	Hz	W	A	A	RPM	m ³ /min.	CFM	mmH ₂ O	InchH ₂ O	dB	kg
UF92AM10-H	100	50	12	0.16	0.20	2700	1.25	44	6.0	0.24	37	0.43
		60	11	0.15	0.19	3200	1.45	51	7.5	0.30	42	
UF92AM11-H	115	50	12	0.13	0.19	2700	1.25	44	6.0	0.24	37	0.43
		60	11	0.11	0.17	3200	1.45	51	7.5	0.30	42	
UF92AM20-H	200	50	12	0.08	0.10	2700	1.25	44	6.0	0.24	37	0.43
		60	11	0.07	0.09	3200	1.45	51	7.5	0.30	42	
UF92AM23-H	230	50	12	0.06	0.09	2700	1.25	44	6.0	0.24	37	0.43
		60	11	0.05	0.08	3200	1.45	51	7.5	0.30	42	

UF92A Series

Size : 92 x 92 x 38

Unit : mm



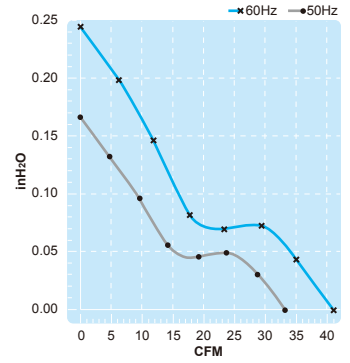
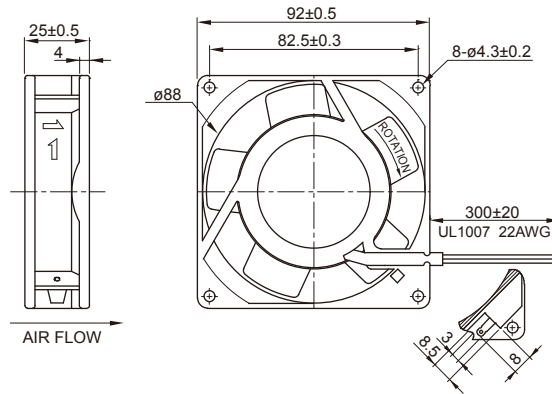
Terminal or Lead Wire Type

Impedance-Protected

Spec.	Rated Voltage	Frequency	Input Power	Rated Current	Locked Current	Speed	Maximum Air Flow	Maximum Air Flow	Maximum Pressure	Maximum Pressure	Noise	Weight
Model	V	Hz	W	A	A	RPM	m ³ /min.	CFM	mmH ₂ O	InchH ₂ O	dB	kg
UF92A11-H	115	50	15	0.22	0.29	2800	1.1	38	5.6	0.22	34	0.45
		60	12	0.16	0.25	3300	1.3	46	8.1	0.32	38	
UF92A23-H	230	50	16	0.12	0.15	2800	1.1	38	5.6	0.22	34	0.45
		60	12	0.09	0.13	3300	1.3	46	8.1	0.32	38	

UF92B Series

Size : 92 x 92 x 25
Unit : mm



Impedance-Protected

Terminal or Lead Wire Type

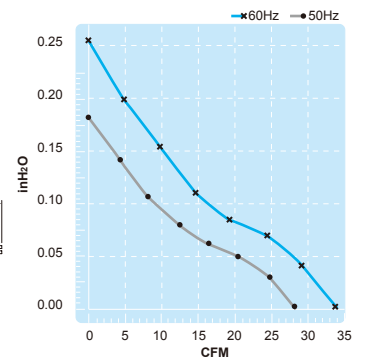
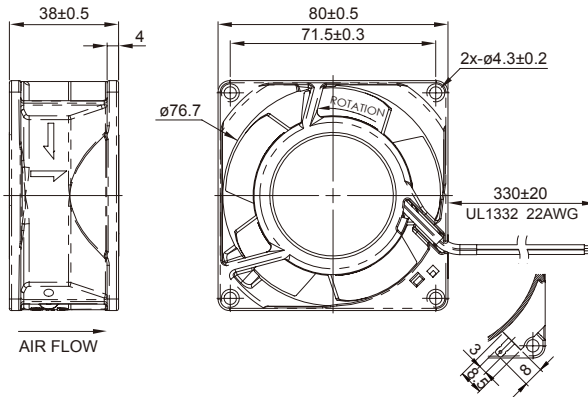


Spec. Model	Rated Voltage V	Frequency Hz	Input Power W	Rated Current A	Locked Current A	Speed RPM	Maximum Air Flow m ³ /min.	Maximum Air Flow CFM	Maximum Pressure mmH ₂ O	Maximum Pressure InchH ₂ O	Noise dB	Weight kg
UF92B10-H	100	50	16	0.19	0.20	2500	0.93	33	4.2	0.17	32	0.28
UF92B10-H	100	60	14	0.18	0.19	3000	1.13	40	6.1	0.24	36	0.28
UF92B11-H	115	50	14	0.15	0.16	2500	0.93	33	3.8	0.15	32	0.28
UF92B11-H	115	60	11	0.12	0.13	3000	1.13	40	5.3	0.21	36	0.28
UF92B20-H	200	50	16	0.08	0.09	2500	0.93	33	4.2	0.17	32	0.28
UF92B20-H	200	60	14	0.07	0.08	3000	1.13	40	6.1	0.24	36	0.28
UF92B23-H	230	50	16	0.08	0.09	2500	0.93	33	4.2	0.17	32	0.28
UF92B23-H	230	60	14	0.07	0.08	3000	1.13	40	6.1	0.24	36	0.28
UF92B11-L	115	50	14	0.14	0.15	1800	0.55	20	2.5	0.10	28	0.28
UF92B11-L	115	60	11	0.11	0.12	2300	0.70	25	4.0	0.16	32	0.28
UF92B23-L	230	50	16	0.07	0.08	1800	0.65	23	1.8	0.07	28	0.28
UF92B23-L	230	60	14	0.06	0.07	2300	0.88	31	3.3	0.13	32	0.28

UF80A(M) Series

Size : 80 x 80 x 38
Unit : mm

* Metal Impeller



Impedance-Protected

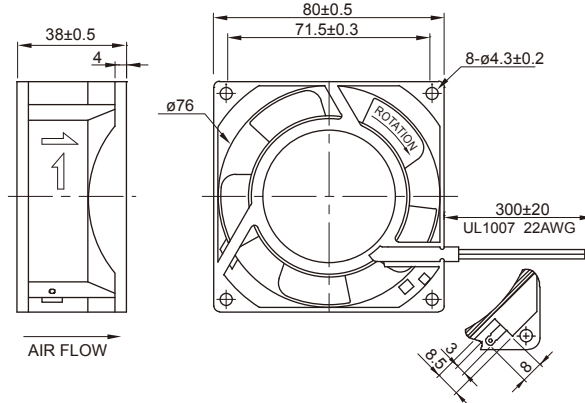
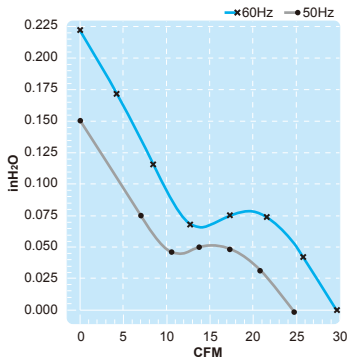
Terminal or Lead Wire Type



Spec. Model	Rated Voltage V	Frequency Hz	Input Power W	Rated Current A	Locked Current A	Speed RPM	Maximum Air Flow m ³ /min.	Maximum Air Flow CFM	Maximum Pressure mmH ₂ O	Maximum Pressure InchH ₂ O	Noise dB	Weight kg
UF80AM11-H	115	50	13	0.16	0.20	2750	0.8	29	4.8	0.19	35	0.39
UF80AM11-H	115	60	11	0.14	0.17	3250	1.0	34	6.6	0.26	40	0.39
UF80AM23-H	230	50	13	0.08	0.10	2750	0.8	29	4.8	0.19	35	0.39
UF80AM23-H	230	60	11	0.07	0.07	3250	1.0	34	6.6	0.26	40	0.39

UF80A Series

Size : 80 x 80 x 38
Unit : mm



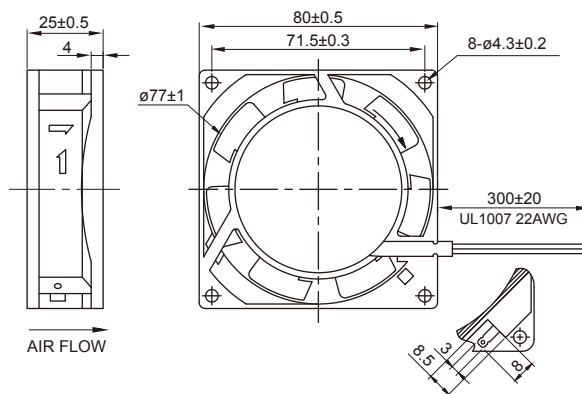
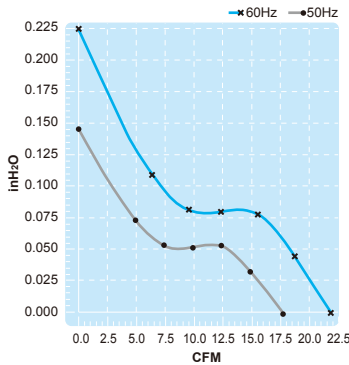
Terminal or Lead Wire Type

Impedance-Protected

Spec.	Rated Voltage	Frequency	Input Power	Rated Current	Locked Current	Speed	Maximum Air Flow	Maximum Air Flow	Maximum Pressure	Maximum Pressure	Noise	Weight
Model	V	Hz	W	A	A	RPM	m ³ /min.	CFM	mmH ₂ O	InchH ₂ O	dB	kg
UF80A10-H	100	50	14	0.14	0.15	2500	0.68	24	3.6	0.14	32	0.28
		60	12	0.12	0.14	3000	0.83	30	5.3	0.21	36	
UF80A11-H	115	50	12	0.14	0.15	2500	0.68	24	3.6	0.14	32	0.28
		60	9	0.12	0.13	3000	0.83	30	5.3	0.21	36	
UF80A20-H	200	50	14	0.07	0.08	2500	0.68	24	3.6	0.14	32	0.28
		60	12	0.06	0.07	3000	0.83	30	5.3	0.21	36	
UF80A23-H	230	50	14	0.07	0.08	2500	0.68	24	3.6	0.14	32	0.28
		60	12	0.06	0.07	3000	0.83	30	5.3	0.21	36	
UF80A11-L	115	50	12	0.12	0.13	1900	0.49	20	1.7	0.10	28	0.28
		60	9	0.10	0.11	2400	0.62	25	3.0	0.16	32	
UF80A23-L	230	50	14	0.08	0.08	1750	0.49	20	1.7	0.10	28	0.28
		60	12	0.07	0.07	2350	0.62	25	3.0	0.16	32	

UF80B Series

Size : 80 x 80 x 25
Unit : mm



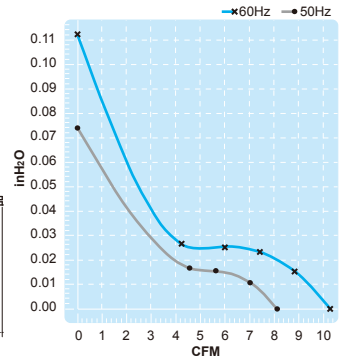
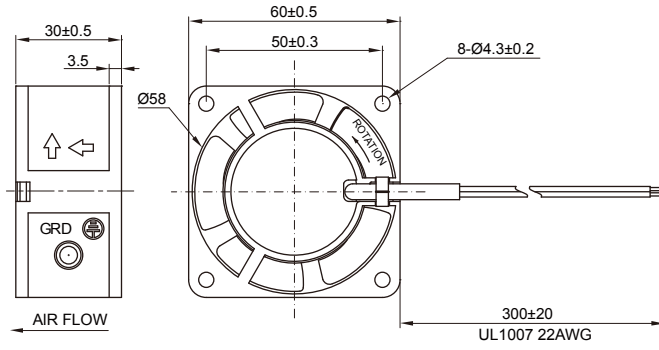
Terminal or Lead Wire Type

Impedance-Protected

Spec.	Rated Voltage	Frequency	Input Power	Rated Current	Locked Current	Speed	Maximum Air Flow	Maximum Air Flow	Maximum Pressure	Maximum Pressure	Noise	Weight
Model	V	Hz	W	A	A	RPM	m ³ /min.	CFM	mmH ₂ O	InchH ₂ O	dB	kg
UF80B10-H	100	50	16	0.19	0.20	2600	0.54	19	3.6	0.14	32	0.26
		60	14	0.18	0.19	3100	0.67	23	5.5	0.22	35	
UF80B11-H	115	50	14	0.15	0.16	2600	0.54	19	3.6	0.14	32	0.26
		60	11	0.12	0.13	3100	0.67	23	5.5	0.22	35	
UF80B20-H	200	50	16	0.08	0.09	2600	0.54	19	3.6	0.14	32	0.26
		60	14	0.07	0.08	3100	0.67	23	5.5	0.22	35	
UF80B23-H	230	50	16	0.08	0.09	2600	0.54	19	3.6	0.14	32	0.26
		60	14	0.07	0.08	3100	0.67	23	5.5	0.22	35	
UF80B11-L	115	50	14	0.14	0.15	1900	0.40	15	2.0	0.08	28	0.26
		60	11	0.12	0.13	2400	0.50	18	3.5	0.14	31	
UF80B23-L	230	50	16	0.07	0.08	1900	0.40	15	2.0	0.08	28	0.26
		60	14	0.06	0.07	2400	0.50	18	3.5	0.14	31	

UF60D Series

Size : 60 x 60 x 30
Unit : mm



Impedance-Protected

Lead Wire Type Only



Spec. Model	Rated Voltage V	Frequency Hz	Input Power W	Rated Current A	Locked Current A	Speed RPM	Maximum Air Flow m ³ /min.	Maximum Air Flow CFM	Maximum Pressure mmH ₂ O	Maximum Pressure InchH ₂ O	Noise dB	Weight kg
UF60D10-H	100	50	5	0.050	0.055	2400	0.23	8.10	1.8	0.07	27	0.14
		60	4	0.040	0.045	3000	0.29	10.24	2.8	0.11	28	
UF60D11-H	115	50	5	0.042	0.042	2400	0.23	8.10	1.8	0.07	27	0.14
		60	4	0.035	0.040	3000	0.29	10.24	2.8	0.11	28	
UF60D20-H	200	50	5	0.025	0.027	2400	0.23	8.10	1.8	0.07	27	0.14
		60	4	0.020	0.022	3000	0.29	10.24	2.8	0.11	28	
UF60D23-H	230	50	5	0.040	0.022	2400	0.23	8.10	1.8	0.07	27	0.14
		60	4	0.032	0.020	3000	0.29	10.24	2.8	0.11	28	

CROSS FLOW FAN

General Data:

- Frame : Steel with black painting
- Impeller : Plastic or Aluminum
- Bearing : Ball bearing or sleeve bearing
- Motor : Capacitor start-run or Shaded pole
- Protection : Impedance-Protected or Thermally-Protected
- Insulation Resistance : Above 100M Ω , DC500V.
- Dielectric Withstand Voltage : AC1,500V (50/60Hz) one minute
- Safety Approval : CE, TUV. (UF9029 has UL, CUL approval)



- Description of Model No.

UF	90	29	C	B	P	12	H	L
1	2	3	4	5	6	7	8	9

1. Model Series:

UF: Fulltech

2. Diameter of Roller:

94: \varnothing 94mm

90: \varnothing 90mm

60: \varnothing 60mm

3. Length of Roller:

17: 170mm

29: 290mm

30: 300mm

35: 350mm

36: 360mm

39: 390mm

46: 460mm

60: 600mm

4. Type of Motor:

C: Capacitor Induction

S: Shaded Pole

5. Bearing:

B: Ball

S: Sleeve

6. Material of Roller:

P: Plastic

A: Aluminum

7. Input Voltage:

12: 120V

23: 230V

8. Speed:

H: High

M: Medium

L : Low

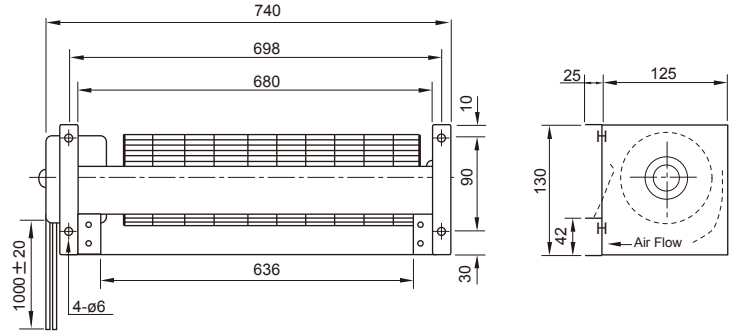
9. Position of Motor:

L: Left

R: Right

UF9060 Series

Size : 740 x 150 x 130
Unit : mm



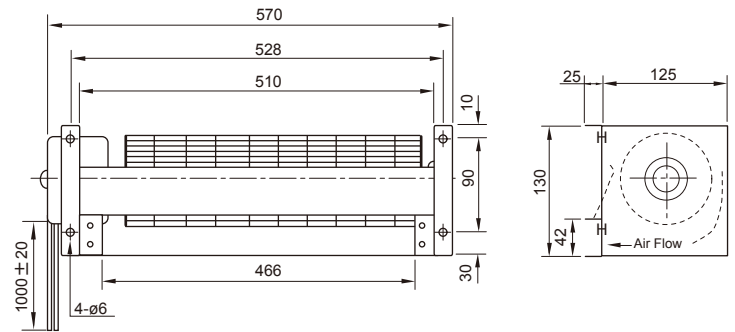
Thermally-Protected



Model	Spec.	Rated Voltage V	Frequency Hz	Input Power W	Rated Current A	Locked Current A	Speed RPM	Maximum Air Flow m ³ /min.	Maximum Air Flow CFM	Maximum Pressure mmH ₂ O	Maximum Pressure InchH ₂ O	Noise dB	Weight kg
UF9060CBP12HL		120	50	130	1.00	1.40	2150	15.5	550	9	0.35	55	6
			60	160	1.25	1.40	2100	15.0	530	11	0.43	54	
UF9060CBP23HL		230	50	130	0.55	0.75	2150	15.5	550	9	0.35	55	6
			60	160	0.70	0.75	2100	15.0	530	11	0.43	54	

UF9446 Series

Size : 570 x 150 x 130
Unit : mm



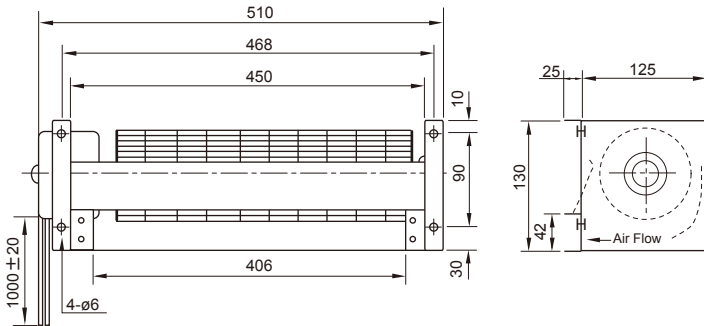
Thermally-Protected



Model	Spec.	Rated Voltage V	Frequency Hz	Input Power W	Rated Current A	Locked Current A	Speed RPM	Maximum Air Flow m ³ /min.	Maximum Air Flow CFM	Maximum Pressure mmH ₂ O	Maximum Pressure InchH ₂ O	Noise dB	Weight kg
UF9446CBP12HL		120	50	43	0.40	0.63	1350	8.5	300	3.5	0.14	48	3.6
			60	50	0.42	0.63	1550	10.0	354	5.0	0.20	53	
UF9446CBP23HL		230	50	43	0.20	0.31	1350	8.5	300	3.5	0.14	48	3.6
			60	50	0.23	0.31	1550	10.0	354	5.0	0.20	53	

UF9439 Series

Size : 510x 150 x 130
Unit : mm

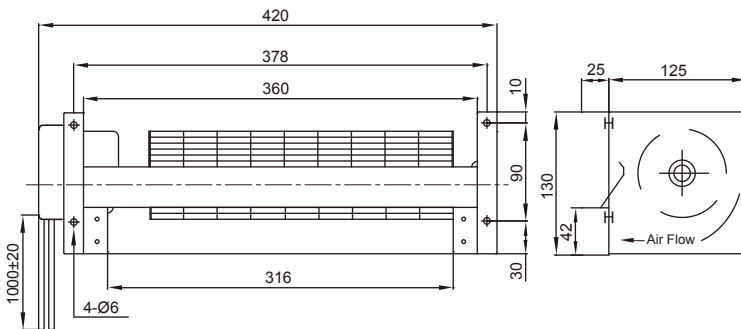


Thermally-Protected

Model	Spec.	Rated Voltage V	Frequency Hz	Input Power W	Rated Current A	Locked Current A	Speed RPM	Maximum Air Flow m ³ /min.	Maximum Air Flow CFM	Maximum Pressure mmH ₂ O	Maximum Pressure InchH ₂ O	Noise dB	Weight kg
UF9439CBP12HL		120	50	43	0.40	0.60	1400	7.5	265	3.5	0.14	48	3.5
			60	50	0.40	0.60	1600	9.0	318	4.5	0.18	53	
UF9439CBP23HL		230	50	43	0.20	0.31	1400	7.5	265	3.5	0.14	48	3.5
			60	50	0.22	0.31	1600	9.0	318	4.5	0.18	53	

UF9029 Series

Size : 420 x 150 x 130
Unit : mm

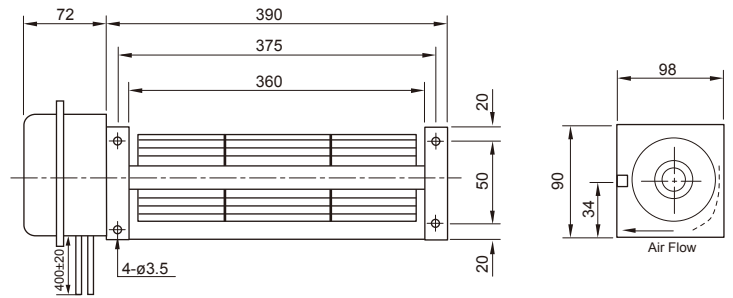


Thermally-Protected

Model	Spec.	Rated Voltage V	Frequency Hz	Input Power W	Rated Current A	Locked Current A	Speed RPM	Maximum Air Flow m ³ /min.	Maximum Air Flow CFM	Maximum Pressure mmH ₂ O	Maximum Pressure InchH ₂ O	Noise dB	Weight kg
UF9029CBP12HL		120	50	33	0.28	0.40	1350	4.5	159	2.2	0.09	43	3.0
			60	31	0.27	0.40	1560	5.0	177	3.3	0.13	46	
UF9029CBP23HL		230	50	33	0.14	0.20	1350	4.5	159	2.2	0.09	43	3.0
			60	31	0.13	0.19	1560	5.0	177	3.3	0.13	46	

UF6036 Series

Size : 462 x 100 x 90
Unit : mm



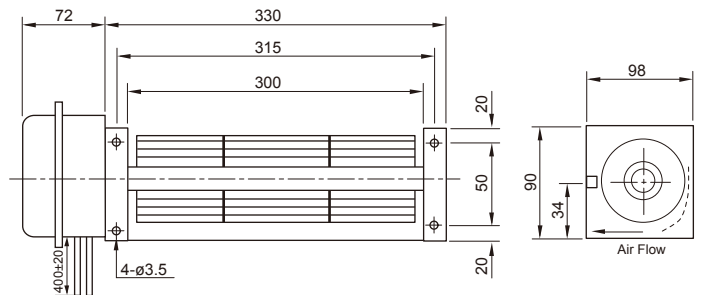
Thermally-Protected



Model	Spec.	Rated Voltage V	Frequency Hz	Input Power W	Rated Current A	Locked Current A	Speed RPM	Maximum Air Flow m ³ /min.	Maximum Air Flow CFM	Maximum Pressure mmH ₂ O	Maximum Pressure InchH ₂ O	Noise dB	Weight kg
UF6036CBA12HL		120	50	35	0.33	0.46	2500	5.5	195	5.0	0.20	50	2.1
			60	37	0.33	0.46	2800	6.0	212	7.5	0.30	53	
UF6036CBA23HL		230	50	35	0.17	0.22	2500	5.5	195	5.0	0.20	50	2.1
			60	37	0.17	0.22	2800	6.0	212	7.5	0.30	53	

UF6030 Series

Size : 402 x 100 x 90
Unit : mm



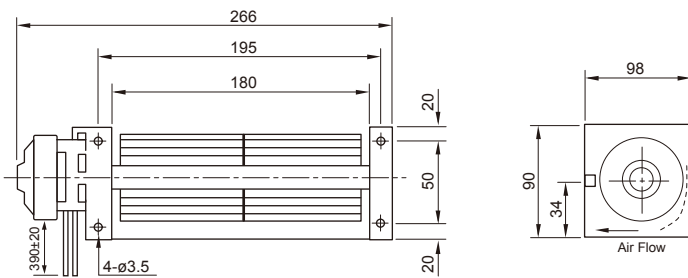
Thermally-Protected



Model	Spec.	Rated Voltage V	Frequency Hz	Input Power W	Rated Current A	Locked Current A	Speed RPM	Maximum Air Flow m ³ /min.	Maximum Air Flow CFM	Maximum Pressure mmH ₂ O	Maximum Pressure InchH ₂ O	Noise dB	Weight kg
UF6030CBA12HL		120	50	35	0.33	0.46	2600	5.0	177	5.0	0.20	50	2.0
			60	37	0.33	0.46	3000	5.5	195	7.5	0.30	53	
UF6030CBA23HL		230	50	35	0.17	0.22	2600	5.0	177	5.0	0.20	50	2.0
			60	37	0.17	0.22	3000	5.5	195	7.5	0.30	53	

UF6017 Series

Size : 266 x 100 x 90
Unit : mm



Impedance-Protected

Model	Spec.	Rated Voltage V	Frequency Hz	Input Power W	Rated Current A	Locked Current A	Speed RPM	Maximum Air Flow m ³ /min.	Maximum Air Flow CFM	Maximum Pressure mmH ₂ O	Maximum Pressure InchH ₂ O	Noise dB	Weight kg
UF6017SBA12HL		120	50	27	0.45	0.55	2400	2.5	90	3.5	0.19	51	1.6
			60	25	0.42	0.47	2500	2.7	95	3.7	0.25	52	
UF6017SBA23HL		230	50	27	0.22	0.26	2300	2.4	85	3.3	0.15	47	1.6
			60	25	0.20	0.22	2400	2.5	90	3.5	0.21	48	
UF6017SBA12ML		120	50	27	0.30	0.37	2350	2.5	88	3.5	0.19	38	1.6
			60	25	0.28	0.30	2000	2.0	72	2.8	0.24	38	

EXTERNAL ROTOR FAN

General Data:

- Frame/Housing : Aluminum die-casting or Plastic
- Impeller : Plastic or steel
- Bearing System : Ball bearing
- Motor : Shaded pole or capacitor start-run or brushless DC Motor
- Protection : Impedance-Protected or Thermally-Protected or Electronically-Protected
- Insulation Resistance : Above 100M Ω , DC500V. (EC FAN: Above 10M Ω , DC500V)
- Dielectric withstand voltage : AC 1,500V (50/60Hz) one minute
- Life Expectancy : Ball bearing: Over 40,000 hr. (at 40°C)
- Safety Approval : CUL, CE, TUV, ATEX, IP68 either UL or ETL.



CONFORMS TO
ANSI/UL STD 507
CERTIFIED TO
CAN/CSA C22.2
STD NO. 113



IP68

- Description of Model No.

UF	220	A	P	A	11	H1	C	2	A
1	2	3	4	5	6	7	8	9	10

1. Model Series:

UF: Fulltech

2. Blade Diameter:

Option 1).
T: EC Motor
D: DC Motor
Option 2). Blank
60B: $\varnothing 55 \times 25\text{mm}$
12A: $\varnothing 112 \times 38\text{mm}$
15P: $\varnothing 145 \times 51\text{mm}$
25G: $\varnothing 221 \times 89\text{mm}$
80B: $\varnothing 73 \times 25\text{mm}$
92A: $\varnothing 84 \times 38\text{mm}$
92B: $\varnothing 85 \times 25\text{mm}$
90: $\varnothing 90\text{mm}$
160: $\varnothing 160\text{mm}$
170: $\varnothing 170\text{mm}$
200: $\varnothing 200\text{mm}$
133 (72): 133mm (72mm Thick)
133 (91): 133mm (91mm Thick)
175: 175mm
180: 180mm
180 (55): 180mm (55mm Thick)
190: 190mm

220: 220mm

225 (99): 225mm (99mm Thick)

225 (85): 225mm (85mm Thick)

225 (69): 225mm (69mm Thick)

250: 250mm

318: 318mm

300: 300mm

360: 360mm

400: 400mm

3. Sort of Fan:

A: Centrifugal Fan

B: Axial Fan

D: Blower Fan

4. Sort of Blade:

A: Aluminum

P: Plastic

M: Welded Steel

N: Pressed Steel

5. Air Check:

Centrifugal Fan

A: Backward Curve,
Single Air Intake.

B: Forward Curve,

Single Air Intake.

C: Forward Curve,

Dual Air Intake.

Axial Fan

A: Air Discharge Out of
Rotor Side

B: Air Discharge
Opposite Rotor Side

Blower Fan

B: Forward Single Air
Inlet

C: Forward Dual Air Inlet

6. Voltage:

01: 12V

02: 24V

03: 48V

0A: 115V-230V

11: 115V

23: 230V

7. Speed

H1: High

M1: Medium

L1: Low

8. Sort of Motor:

A: 3 Phases

S: Shaded Pole

C: Capacitor Run Motor

D: Single Phase EC
Motor

9. Poles of Motor:

2: 2P

4: 4P

6: 6P

8: 8P

10. Special Requirement:

Axial Fan

A: Standard with Frame

E: Without Frame

B: With Low Guard /
No Frame

C: With High Guard /
No Frame

D: With Guard & Duct

Centrifugal Fan

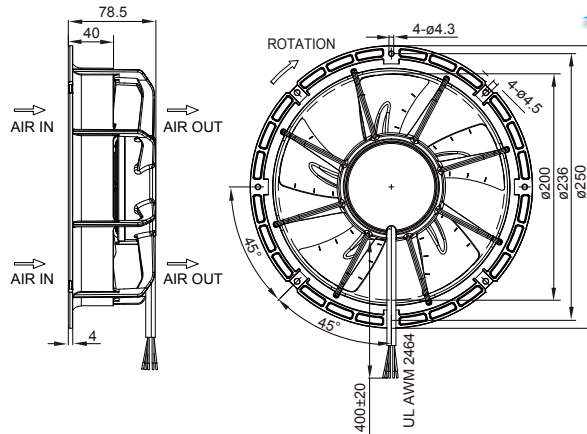
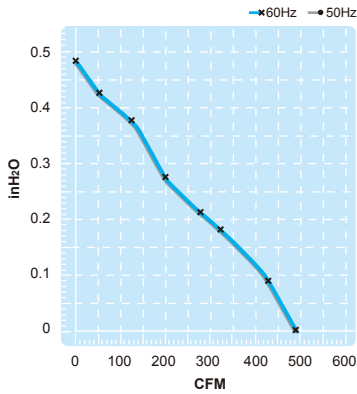
A: Standard

F: With Mounting Disk

EC FAN

UFT200BMB Series

(Axial Fan)



Size : $\varnothing 250 \times 78.5$
* Metal Impeller
Unit : mm



Lead Wire Type

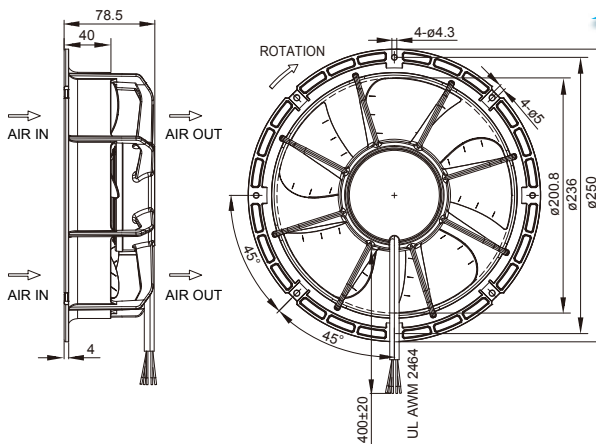
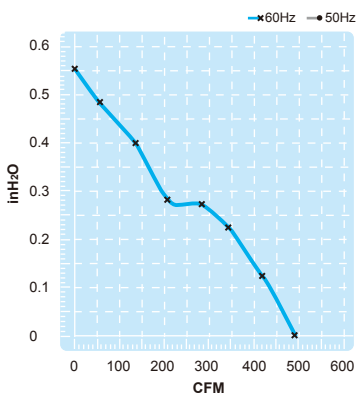
Electronically-Protected

Spec.	Rated Voltage	Frequency	Input Power	Rated Current	Locked Current	Speed	Maximum Air Flow	Maximum Air Flow	Maximum Pressure	Maximum Pressure	Noise	Weight
Model	V	Hz	W	A	A	RPM	m ³ /min.	CFM	mmH ₂ O	InchH ₂ O	dB	kg
UFT200BMB11H1D4A	115	50/60	26	0.37	0.10	2200	13	460	11.7	0.46	55	1
UFT200BMB23H1D4A	230	50/60	27	0.22	0.10	2200	13	460	11.7	0.46	55	1

EC FAN

UFT200BPB Series

(Axial Fan)



Size : $\varnothing 250 \times 78.5$
Unit : mm



Lead Wire Type

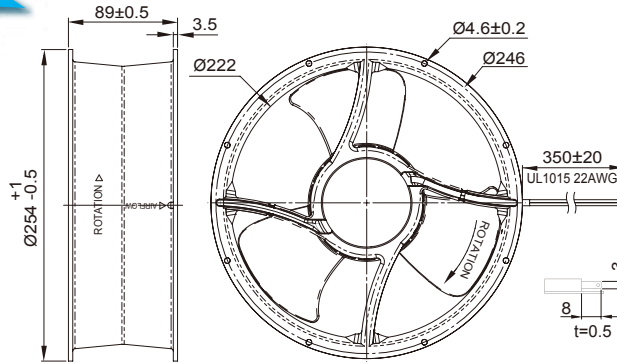
Electronically-Protected

Spec.	Rated Voltage	Frequency	Input Power	Rated Current	Locked Current	Speed	Maximum Air Flow	Maximum Air Flow	Maximum Pressure	Maximum Pressure	Noise	Weight
Model	V	Hz	W	A	A	RPM	m ³ /min.	CFM	mmH ₂ O	InchH ₂ O	dB	kg
UFT200BPB11H1D4A	115	50/60	29	0.40	0.10	2200	14	495	14	0.55	56	0.92
UFT200BPB23H1D4A	230	50/60	30	0.25	0.20	2200	14	495	14	0.55	56	0.92

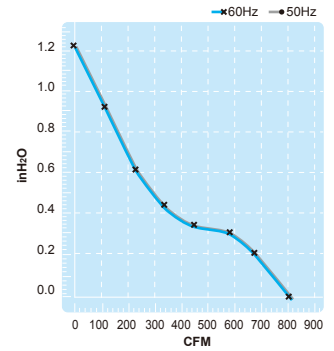
UFT25GBP Series

EC FAN

Size : $\varnothing 254 \times 89$
Unit : mm



(Axial Fan)



Electronically-Protected

Terminal or Lead Wire Type

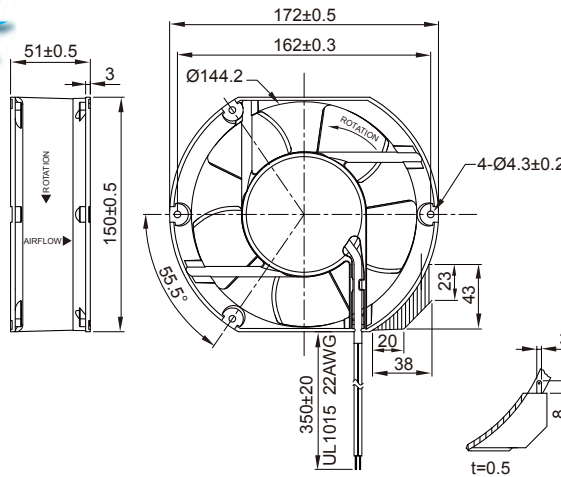


Spec. Model	Rated Voltage V	Frequency Hz	Input Power W	Rated Current A	Locked Current A	Speed RPM	Maximum Air Flow m ³ /min.	Maximum Air Flow CFM	Maximum Pressure mmH ₂ O	Maximum Pressure InchH ₂ O	Noise dB	Weight kg
UFT25GBP11H1D8A	115	50/60	75	1.05	0.14	2750	23.0	812	31.0	1.22	70	2.09
UFT25GBP23H1D8A	230	50/60	75	0.60	0.11	2750	23.0	812	31.0	1.22	70	2.09
UFT25GBP0AL1D8A	115~230	50/60	24	0.40	0.05 (115V) 0.11 (230V)	1750	14.5	512	12.5	0.49	60	2.09

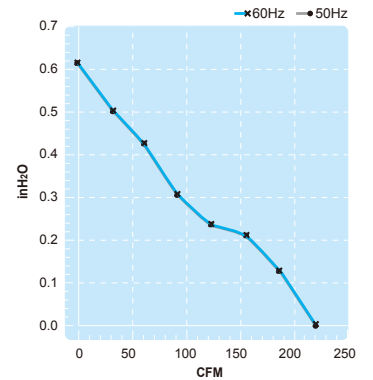
UFT15PBP Series

EC FAN

Size : 172 x 150 x 51
Unit : mm



(Axial Fan)



Electronically-Protected

Terminal or Lead Wire Type



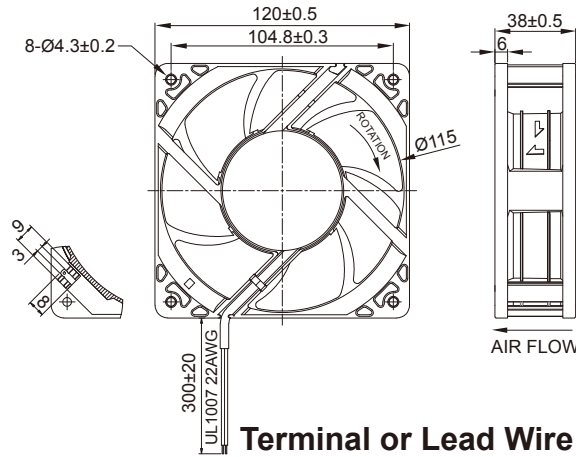
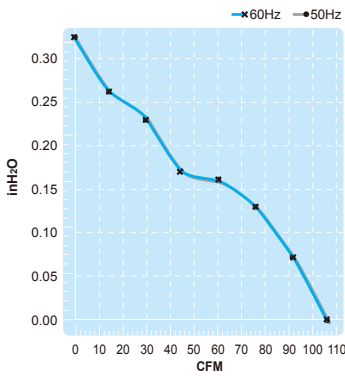
Spec. Model	Rated Voltage V	Frequency Hz	Input Power W	Rated Current A	Locked Current A	Speed RPM	Maximum Air Flow m ³ /min.	Maximum Air Flow CFM	Maximum Pressure mmH ₂ O	Maximum Pressure InchH ₂ O	Noise dB	Weight kg
UFT15PBP11M1D4A	115	50/60	15	0.23	0.25	3000	6.2	220	15.7	0.62	57	0.7
UFT15PBP23M1D4A	230	50/60	15	0.14	0.47	3000	6.2	220	15.7	0.62	57	0.7

EC FAN

UFT12ABPB Series

Size : 120 x 120 x 38
Unit : mm

(Axial Fan)



Electronically-Protected

Terminal or Lead Wire Type



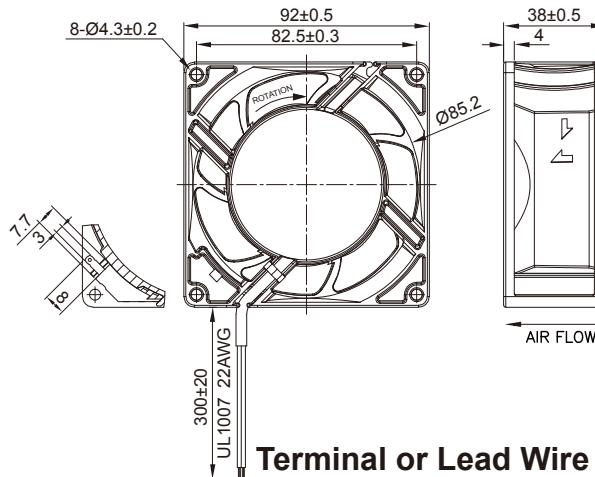
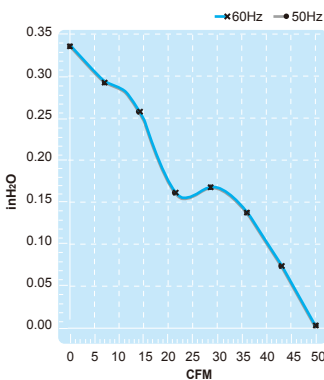
Spec.	Rated Voltage V	Frequency Hz	Input Power W	Rated Current A	Locked Current A	Speed RPM	Maximum Air Flow m ³ /min.	Maximum Air Flow CFM	Maximum Pressure mmH ₂ O	Maximum Pressure InchH ₂ O	Noise dB	Weight kg
Model												
UFT12ABPB0AM1D4A	115~230	50/60	4.9 (115V) 5.2 (230V)	0.08 (115V) 0.06 (230V)	0.09 (115V) 0.06 (230V)	3200	3.0	106	8.6	0.34	43	0.29

EC FAN

UFT92ABPB Series

Size : 92 x 92 x 38
Unit : mm

(Axial Fan)



Electronically-Protected

Terminal or Lead Wire Type



Spec.	Rated Voltage V	Frequency Hz	Input Power W	Rated Current A	Locked Current A	Speed RPM	Maximum Air Flow m ³ /min.	Maximum Air Flow CFM	Maximum Pressure mmH ₂ O	Maximum Pressure InchH ₂ O	Noise dB	Weight kg
Model												
UFT92ABPB0AH1D4A	115~230	50/60	4.8 (115V) 5.2 (230V)	0.08 (115V) 0.05 (230V)	0.07 (115V) 0.05 (230V)	3850	1.4	50	8.4	0.33	43	0.225

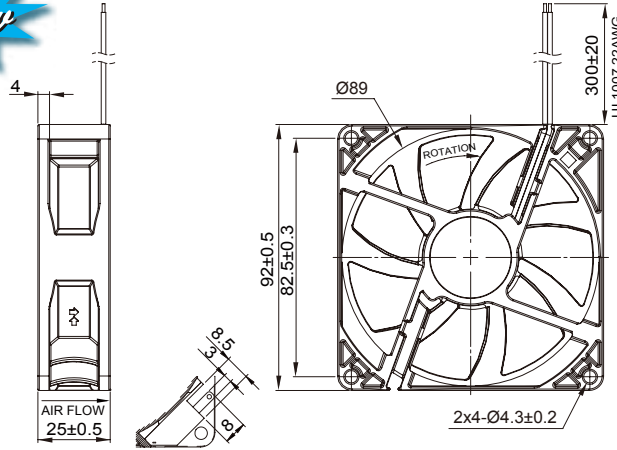
UFT92BBPB Series

EC FAN

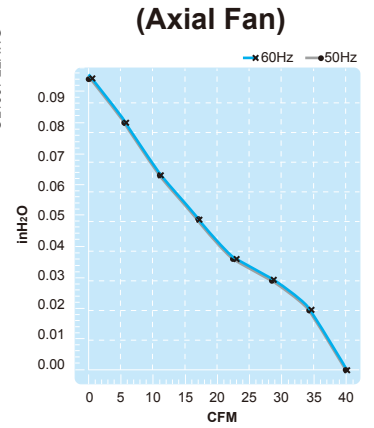
Size : 92 x 92 x 25
Unit : mm



Electronically-Protected



Terminal or Lead Wire Type



Spec. Model	Rated Voltage V	Frequency Hz	Input Power W	Rated Current A	Locked Current A	Speed RPM	Maximum Air Flow m ³ /min.	Maximum Air Flow CFM	Maximum Pressure mmH ₂ O	Maximum Pressure InchH ₂ O	Noise dB	Weight kg
UFT92BBPB0AM1D4A	115~230	50/60	3.0	0.06 (115V) 0.04 (230V)	0.082 (115V) 0.038 (230V)	2650	1.1	39	2.3	0.09	34	0.085

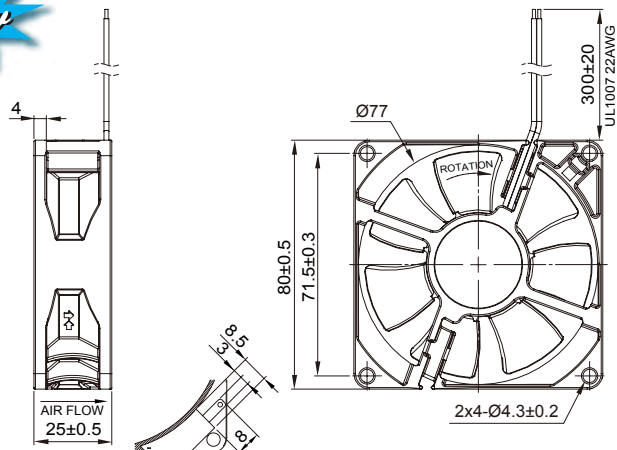
UFT80BBPB Series

EC FAN

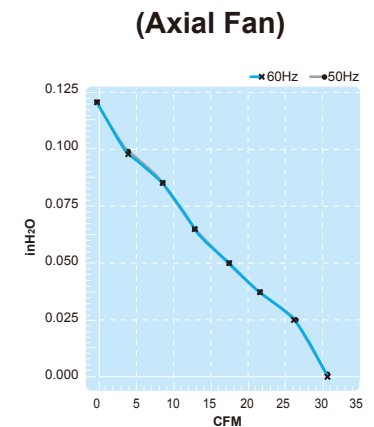
Size : 80 x 80 x 25
Unit : mm



Electronically-Protected



Terminal or Lead Wire Type



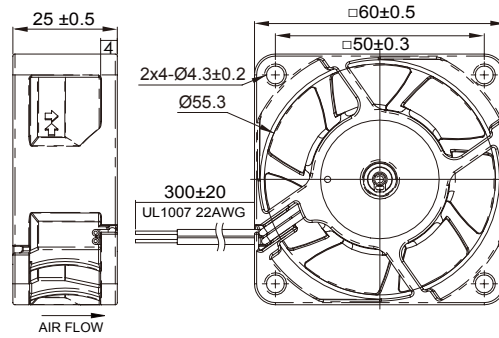
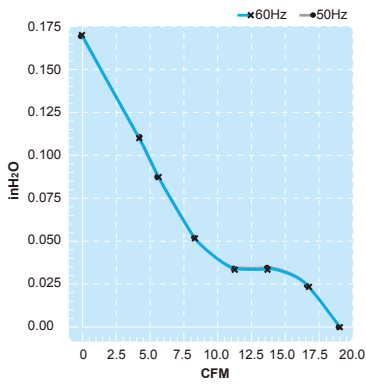
Spec. Model	Rated Voltage V	Frequency Hz	Input Power W	Rated Current A	Locked Current A	Speed RPM	Maximum Air Flow m ³ /min.	Maximum Air Flow CFM	Maximum Pressure mmH ₂ O	Maximum Pressure InchH ₂ O	Noise dB	Weight kg
UFT80BBPB0AM1D4A	115~230	50/60	2.8	0.06 (115V) 0.04 (230V)	0.070 (115V) 0.037 (230V)	3150	0.9	31	3.0	0.12	35	0.072

EC FAN

UFT60BBPB Series

Size : 60 x 60 x 25
Unit : mm

(Axial Fan)



Lead Wire Type

Electronically-Protected



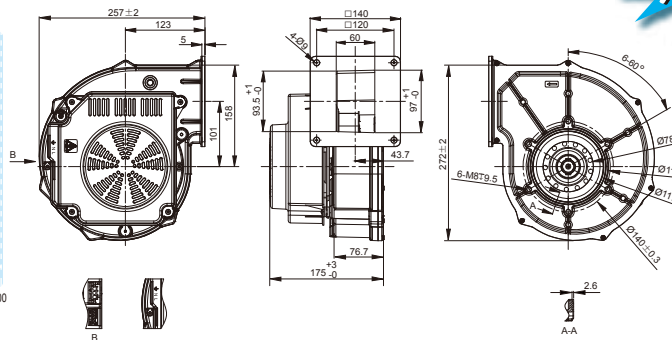
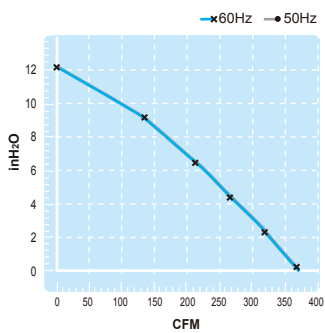
Spec.	Rated Voltage	Frequency	Input Power	Rated Current	Locked Current	Speed	Maximum Air Flow	Maximum Air Flow	Maximum Pressure	Maximum Pressure	Noise	Weight
Model	V	Hz	W	A	A	RPM	m ³ /min.	CFM	mmH ₂ O	InchH ₂ O	dB	kg
UFT60BBPB0AM1D4A	115~230	50/60	2.0 (115V)	0.041 (115V)	0.092 (115V)	3850 (115V)	0.54 (115V)	19.1 (115V)	4.3 (115V)	0.17 (115V)	31	0.06
			2.4 (230V)	0.026 (230V)	0.044 (230V)	3950 (230V)	0.55 (230V)	19.4 (230V)	4.6 (230V)	0.18 (230V)		

EC FAN

UFT170DAA Series

Size : Ø170
Unit : mm

(Blower Fan)



Electronically-Protected

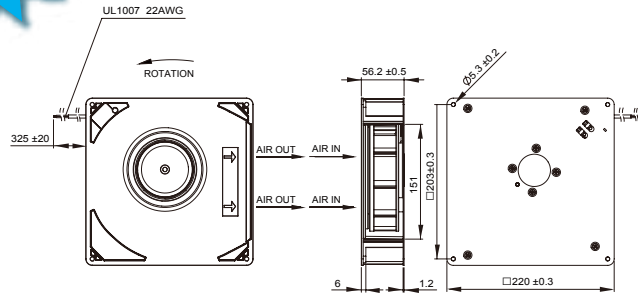
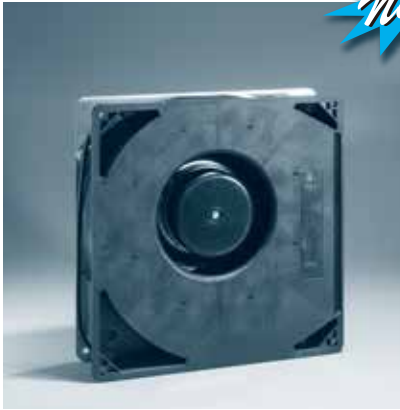


Spec.	Rated Voltage	Frequency	Input Power	Rated Current	Locked Current	Speed	Maximum Air Flow	Maximum Air Flow	Maximum Pressure	Maximum Pressure	Noise	Weight
Model	V	Hz	W	A	A	RPM	m ³ /min.	CFM	mmH ₂ O	InchH ₂ O	dB	kg
UFT170DAA23M1D6A	230	50/60	305	2.3	0.38	5650	10.4	367	315	12.40	83	4.7

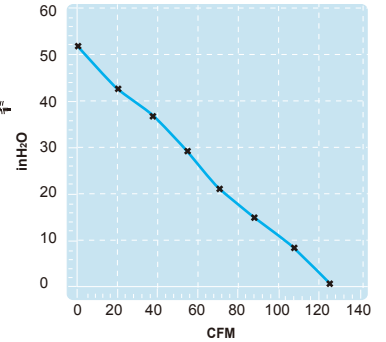
UFD160DPB Series

DC FAN

Size : 220 x 220 x 56.2
Unit : mm



(Blower Fan)



Lead Wire Type

Electronically-Protected

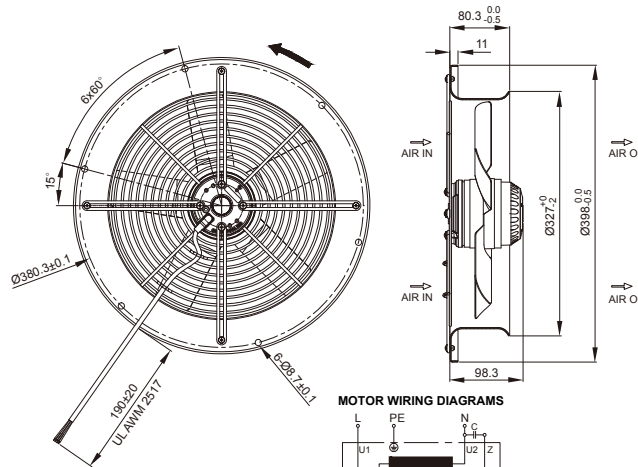


Spec.	Rated Voltage	Frequency	Input Power	Rated Current	Locked Current	Speed	Maximum Air Flow	Maximum Air Flow	Maximum Pressure	Maximum Pressure	Noise	Weight
Model	V	Hz	W	A	A	RPM	m ³ /min.	CFM	mmH ₂ O	InchH ₂ O	dB	kg
UFD160DPB01H1D4A	12	-	23	1.95	0.19	2900	3.5	124	48	1.89	67	1.4
UFD160DPB02H1D4A	24	-	23	0.95	0.09	2900	3.5	124	52	2.05	67	1.4
UFD160DPB04H1D4A	48	-	23	0.46	0.10	2900	3.5	124	50	1.97	67	1.4

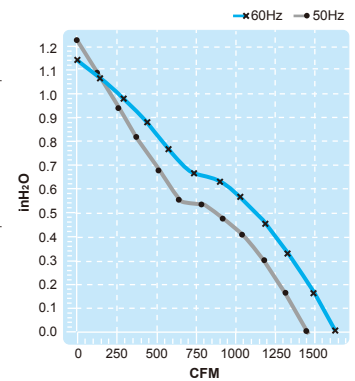
UF300BNA Series

AC FAN

Size : ϕ 398 x 98.3
Unit : mm



(Axial Fan)



Thermally-Protected

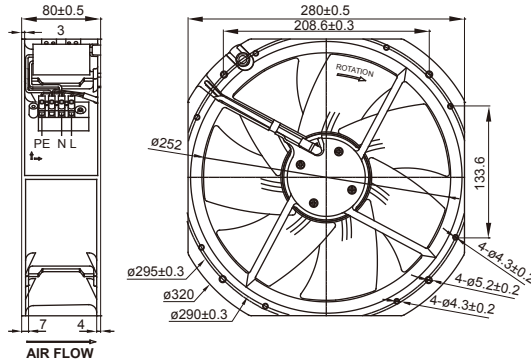
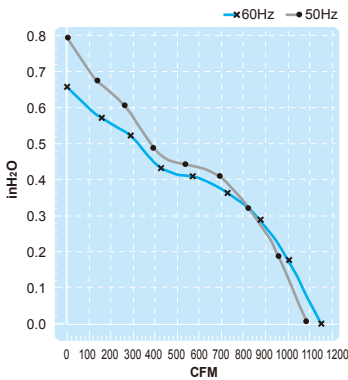


Spec.	Rated Voltage	Frequency	Input Power	Rated Current	Locked Current	Speed	Maximum Air Flow	Maximum Air Flow	Maximum Pressure	Maximum Pressure	Capacitor	Noise	Weight
Model	V	Hz	W	A	A	RPM	m ³ /min.	CFM	mmH ₂ O	InchH ₂ O	μ F/VDB	dB	kg
UF300BNA11H1C2A	115	50	150	1.6	3.15	2650	40.6	1435	31	1.2	20/250	75	4.5
		60	200	2.4	3.10	2950	45.7	1615	29	1.1		78	
UF300BNA23H1C2A	230	50	150	0.9	1.60	2650	40.6	1435	31	1.2	5/450	75	4.5
		60	200	1.2	1.56	2950	45.7	1615	29	1.1		78	

UF250BMB Series

Size : 280 x 280 x 80
Unit : mm

(Axial Fan)



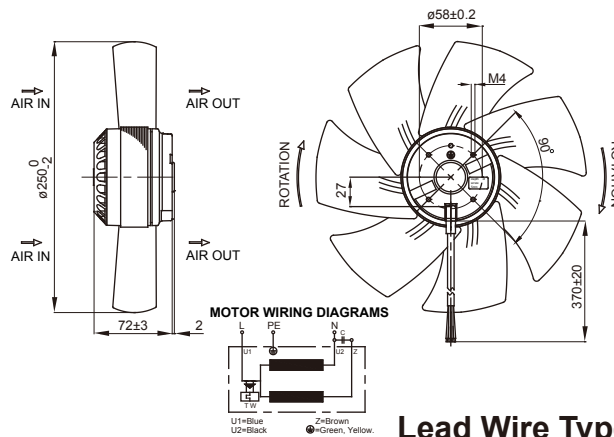
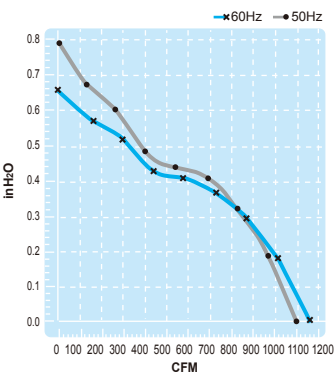
Thermally-Protected

Spec.	Rated Voltage	Frequency	Input Power	Rated Current	Locked Current	Speed	Maximum Air Flow	Maximum Air Flow	Maximum Pressure	Maximum Pressure	Capacitor	Noise	Weight
Model	V	Hz	W	A	A	RPM	m ³ /min.	CFM	mmH ₂ O	InchH ₂ O	μF/VDB	dB	kg
UF250BMB11H1C2A	115	50	112	1.00	1.90	2550	31	1090	20.0	0.78	12/250	68	2.8
		60	148	1.50	1.90	2700	32	1130	16.5	0.65		70	
UF250BMB23H1C2A	230	50	119	0.59	0.91	2550	31	1090	20.0	0.78	4/450	68	2.8
		60	158	0.82	0.91	2700	32	1130	16.5	0.65		70	

UF250BMB-E Series

Size : ø250 x 72
Unit : mm

(Axial Fan)



Lead Wire Type

Thermally-Protected

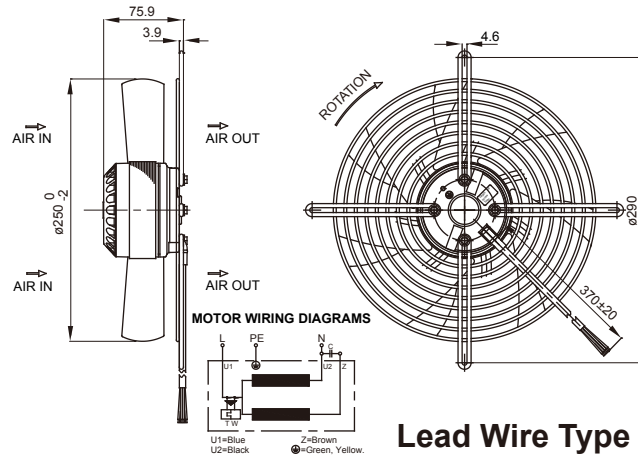
Spec.	Rated Voltage	Frequency	Input Power	Rated Current	Locked Current	Speed	Maximum Air Flow	Maximum Air Flow	Maximum Pressure	Maximum Pressure	Capacitor	Noise	Weight
Model	V	Hz	W	A	A	RPM	m ³ /min.	CFM	mmH ₂ O	InchH ₂ O	μF/VDB	dB	kg
UF250BMB11H1C2E	115	50	112	1.00	1.90	2550	31	1090	20.0	0.78	12/250	68	1.8
		60	148	1.50	1.90	2700	32	1130	16.5	0.65		70	
UF250BMB23H1C2E	230	50	119	0.59	0.91	2550	31	1090	20.0	0.78	4/450	68	1.8
		60	158	0.82	0.91	2700	32	1130	16.5	0.65		70	

UF250BMB-B Series

Size : $\varnothing 290 \times 75.9$
Unit : mm

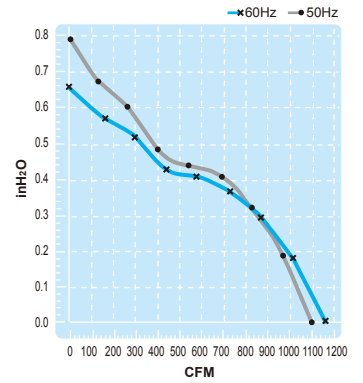


Thermally-Protected



Lead Wire Type

(Axial Fan)



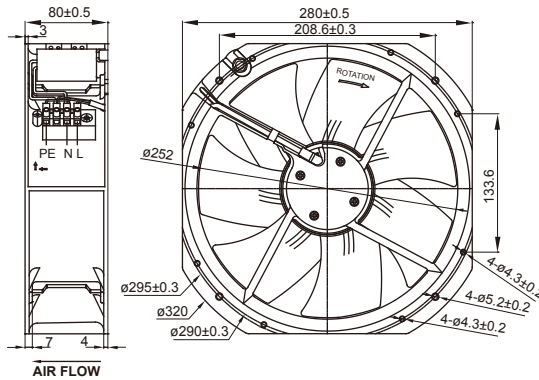
Spec.	Rated Voltage	Frequency	Input Power	Rated Current	Locked Current	Speed	Maximum Air Flow	Maximum Air Flow	Maximum Pressure	Maximum Pressure	Capacitor	Noise	Weight
Model	V	Hz	W	A	A	RPM	m ³ /min.	CFM	mmH ₂ O	InchH ₂ O	μ F/VDB	dB	kg
UF250BMB11H1C2B	115	50	112	1.00	1.90	2550	31	1090	20.0	0.78	12/250	68	1.8
		60	148	1.50	1.90	2700	32	1130	16.5	0.65		70	
UF250BMB23H1C2B	230	50	119	0.59	0.91	2550	31	1090	20.0	0.78	4/450	68	1.8
		60	158	0.82	0.91	2700	32	1130	16.5	0.65		70	

UF250BMA Series

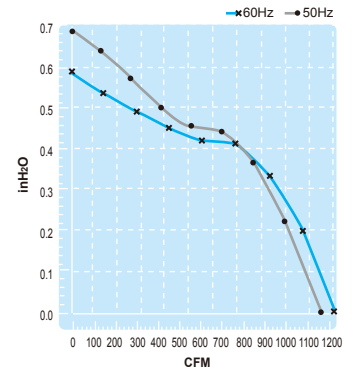
Size : 280 x 280 x 80
Unit : mm



Thermally-Protected



(Axial Fan)

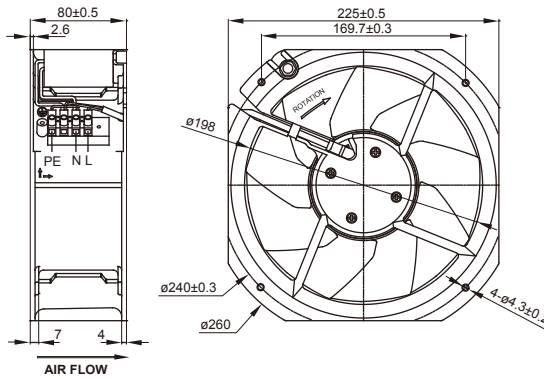
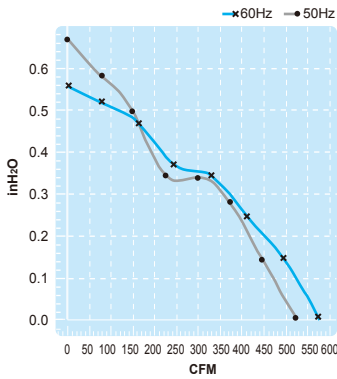


Spec.	Rated Voltage	Frequency	Input Power	Rated Current	Locked Current	Speed	Maximum Air Flow	Maximum Air Flow	Maximum Pressure	Maximum Pressure	Capacitor	Noise	Weight
Model	V	Hz	W	A	A	RPM	m ³ /min.	CFM	mmH ₂ O	InchH ₂ O	μ F/VDB	dB	kg
UF250BMA11H1C2A	115	50	120	1.50	1.90	2400	29.8	1050	17.8	0.70	12/250	70	2.8
		60	157	1.20	1.90	2600	31.2	1100	15.0	0.59		71	
UF250BMA23H1C2A	230	50	119	0.52	0.83	2400	29.8	1050	17.8	0.70	4/450	70	2.8
		60	158	0.71	0.87	2600	31.2	1100	15.0	0.59		71	

UF200BMB Series

Size : 225 x 225 x 80
Unit : mm

(Axial Fan)



Thermally-Protected

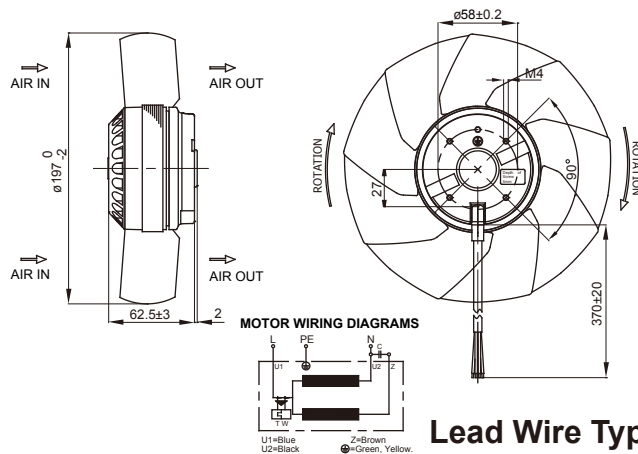
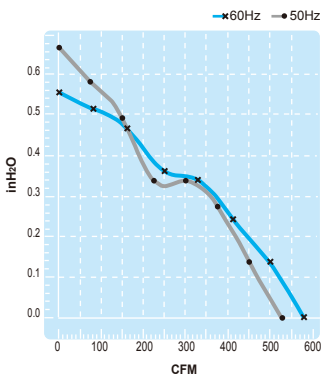


Spec.	Rated Voltage	Frequency	Input Power	Rated Current	Locked Current	Speed	Maximum Air Flow	Maximum Air Flow	Maximum Pressure	Maximum Pressure	Capacitor	Noise	Weight
Model	V	Hz	W	A	A	RPM	m ³ /min.	CFM	mmH ₂ O	InchH ₂ O	μF/VDB	dB	kg
UF200BMB11H1C2A	115	50	65	0.58	0.99	2550	15	530	17	0.67	5/250	59	2.1
		60	72	0.70	0.99	2800	17	600	14	0.55		61	
UF200BMB23H1C2A	230	50	74	0.29	0.50	2550	15	530	17	0.67	1.5/450	59	2.1
		60	80	0.35	0.50	2800	17	600	14	0.55		61	

UF200BMB-E Series

Size : ø197 x 62.5
Unit : mm

(Axial Fan)



Lead Wire Type

Thermally-Protected



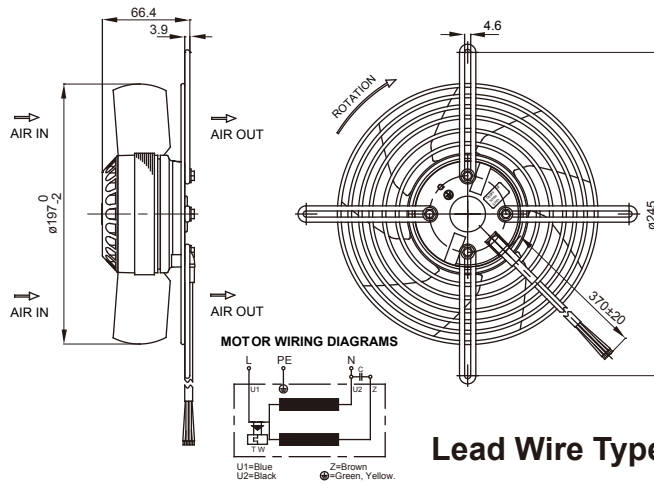
Spec.	Rated Voltage	Frequency	Input Power	Rated Current	Locked Current	Speed	Maximum Air Flow	Maximum Air Flow	Maximum Pressure	Maximum Pressure	Capacitor	Noise	Weight
Model	V	Hz	W	A	A	RPM	m ³ /min.	CFM	mmH ₂ O	InchH ₂ O	μF/VDB	dB	kg
UF200BMB11H1C2E	115	50	65	0.58	0.99	2550	15	530	17	0.67	5/250	59	1.4
		60	72	0.70	0.99	2800	17	600	14	0.55		61	
UF200BMB23H1C2E	230	50	74	0.29	0.50	2550	15	530	17	0.67	1.5/450	59	1.4
		60	80	0.35	0.50	2800	17	600	14	0.55		61	

UF200BMB-B Series

Size : $\varnothing 245 \times 66.4$
Unit : mm

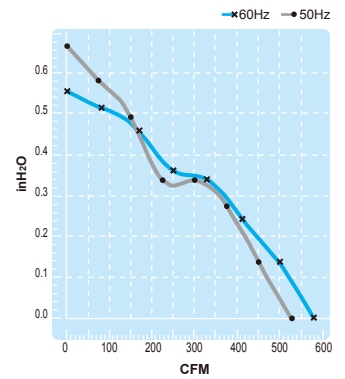


Thermally-Protected



Lead Wire Type

(Axial Fan)



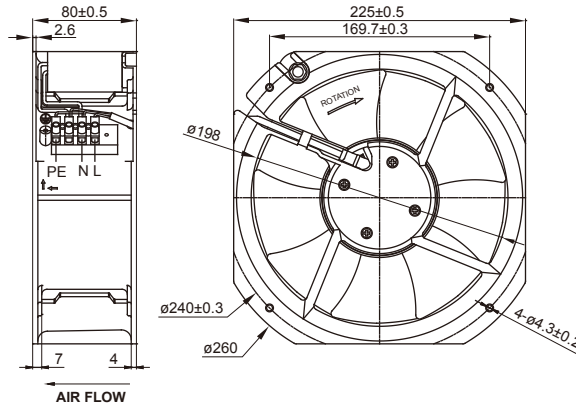
Spec.	Rated Voltage	Frequency	Input Power	Rated Current	Locked Current	Speed	Maximum Air Flow	Maximum Air Flow	Maximum Pressure	Maximum Pressure	Capacitor	Noise	Weight
Model	V	Hz	W	A	A	RPM	m ³ /min.	CFM	mmH ₂ O	InchH ₂ O	μF/VDB	dB	kg
UF200BMB11H1C2B	115	50	65	0.58	0.99	2550	15	530	17	0.67	5/250	59	1.4
		60	72	0.70	0.99	2800	17	600	14	0.55		61	
UF200BMB23H1C2B	230	50	74	0.29	0.50	2550	15	530	17	0.67	1.5/450	59	1.4
		60	80	0.35	0.50	2800	17	600	14	0.55		61	

UF200BMA Series

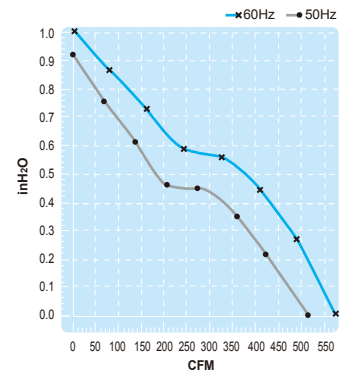
Size : 225 x 225 x 80
Unit : mm



Thermally-Protected



(Axial Fan)

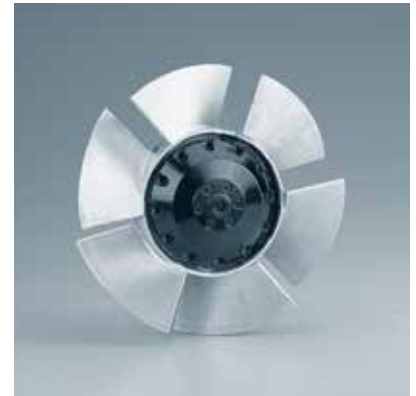
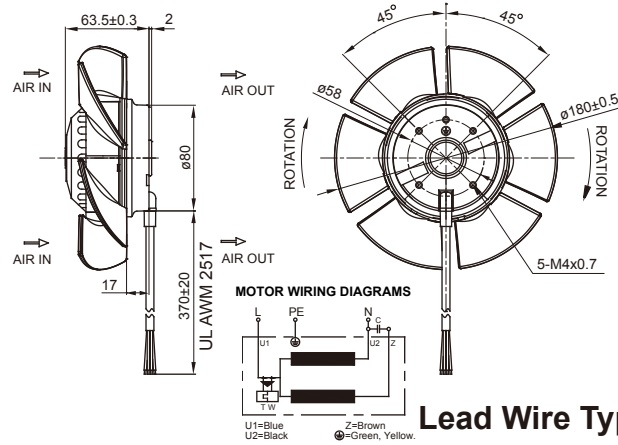
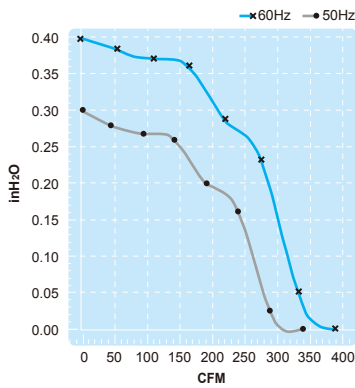


Spec.	Rated Voltage	Frequency	Input Power	Rated Current	Locked Current	Speed	Maximum Air Flow	Maximum Air Flow	Maximum Pressure	Maximum Pressure	Capacitor	Noise	Weight
Model	V	Hz	W	A	A	RPM	m ³ /min.	CFM	mmH ₂ O	InchH ₂ O	μF/VDB	dB	kg
UF200BMA11H2C2A	115	50	73	0.75	1.30	2700	14.7	520	23.3	0.92	8/250	65	2.4
		60	75	0.66	1.40	3100	16.5	580	25.4	1.00		68	
UF200BMA23H2C2A	230	50	72	0.38	0.62	2700	14.7	520	23.3	0.92	2/450	65	2.4
		60	77	0.34	0.63	3100	16.5	580	25.4	1.00		68	

UF180BAB Series

Size : $\varnothing 180 \times 63.5$
Unit : mm

(Axial Fan)



Thermally-Protected

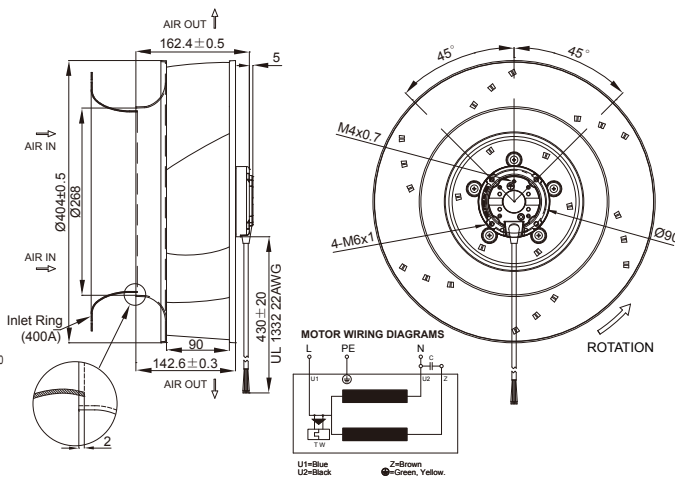
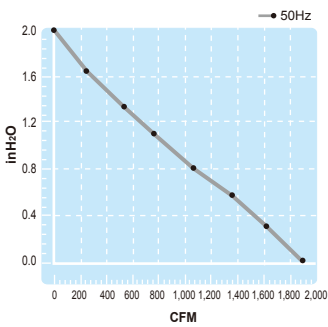


Spec.	Rated Voltage	Frequency	Input Power	Rated Current	Locked Current	Speed	Maximum Air Flow	Maximum Air Flow	Maximum Pressure	Maximum Pressure	Capacitor	Noise	Weight
Model	V	Hz	W	A	A	RPM	m ³ /min.	CFM	mmH ₂ O	InchH ₂ O	μF/VDB	dB	kg
UF180BAB11H1C2A	115	50	76	0.70	1.23	2750	9.50	335	7.50	0.3	10/250	62	1.2
		60	75	0.71	1.23	3100	11.0	388	10.0	0.4		65	
UF180BAB23H1C2A	230	50	76	0.35	0.54	2750	9.50	335	7.50	0.3	2/450	62	1.2
		60	75	0.40	0.54	3100	11.0	388	10.0	0.4		65	

UF400AAA Series

Size : $\varnothing 400 \times 162.4$
Unit : mm

(Centrifugal Fan)



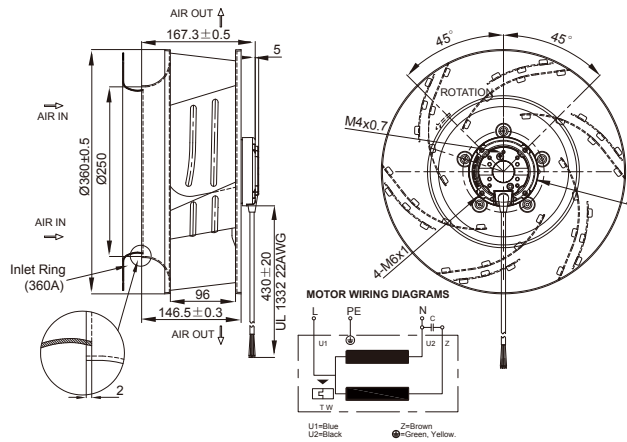
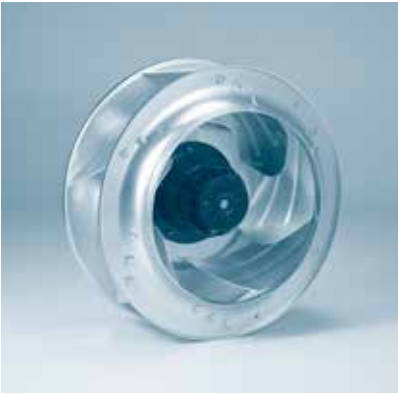
Thermally-Protected



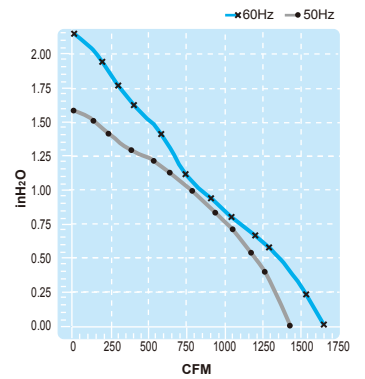
Spec.	Rated Voltage	Frequency	Input Power	Rated Current	Locked Current	Speed	Maximum Air Flow	Maximum Air Flow	Maximum Pressure	Maximum Pressure	Capacitor	Noise	Weight
Model	V	Hz	W	A	A	RPM	m ³ /min.	CFM	mmH ₂ O	InchH ₂ O	μF/VDB	dB	kg
UF400AAA23H1C4A	230	50	287	1.26	1.70	1250	53.8	1900	49.7	1.96	8/450	73	5.45

UF360AAA Series

Size : $\varnothing 360 \times 167.3$
Unit : mm



(Centrifugal Fan)



Thermally-Protected

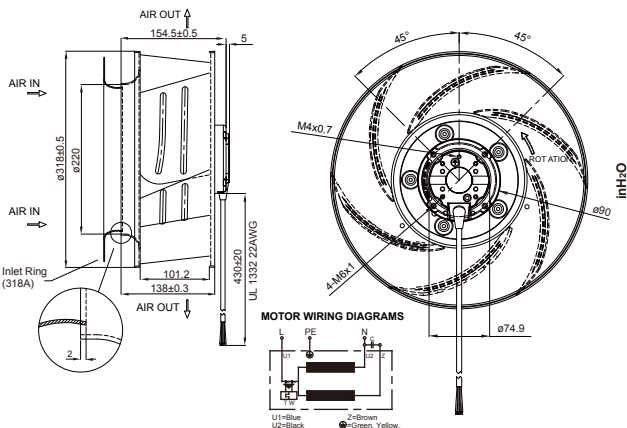
Lead Wire Type



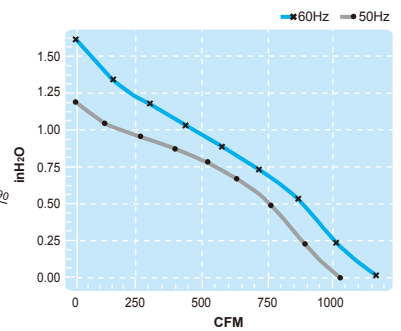
Spec.	Rated Voltage	Frequency	Input Power	Rated Current	Locked Current	Speed	Maximum Air Flow	Maximum Air Flow	Maximum Pressure	Maximum Pressure	Capacitor	Noise	Weight
Model	V	Hz	W	A	A	RPM	m ³ /min.	CFM	mmH ₂ O	InchH ₂ O	μ F/VDB	dB	kg
UF360AAA11H1C4A	115	50	190	1.70	4.24	1400	40.5	1430	40	1.6	24/250	66	5.1
		60	270	2.30	4.00	1600	46.5	1645	55	2.2		70	
UF360AAA23H1C4A	230	50	190	0.90	2.12	1400	40.5	1430	40	1.6	6/450	66	5.1
		60	265	1.20	2.00	1600	46.5	1645	55	2.2		70	

UF318AAA Series

Size : $\varnothing 318 \times 154.5$
Unit : mm



(Centrifugal Fan)



Thermally-Protected

Lead Wire Type

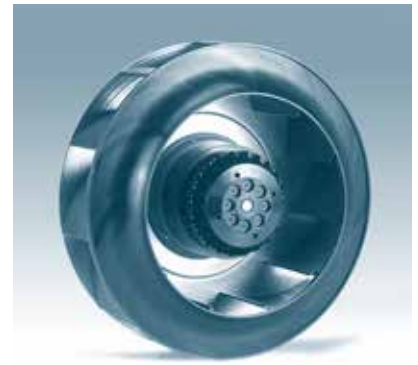
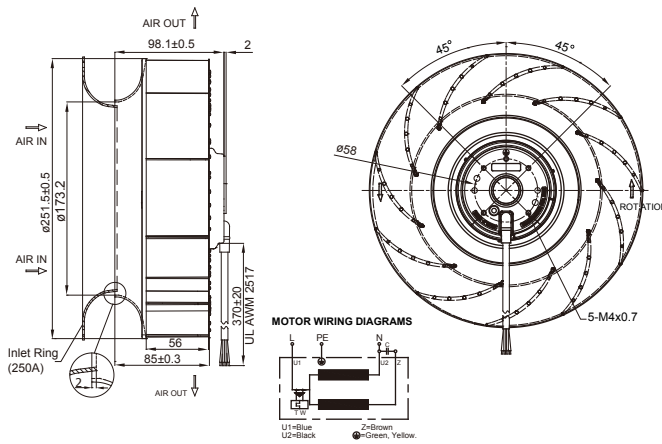
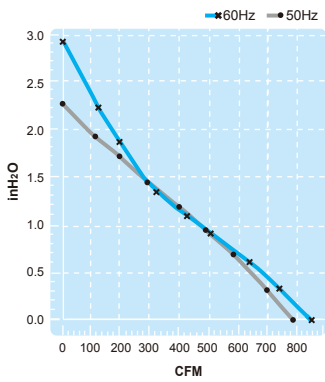


Spec.	Rated Voltage	Frequency	Input Power	Rated Current	Locked Current	Speed	Maximum Air Flow	Maximum Air Flow	Maximum Pressure	Maximum Pressure	Capacitor	Noise	Weight
Model	V	Hz	W	A	A	RPM	m ³ /min.	CFM	mmH ₂ O	InchH ₂ O	μ F/VDB	dB	kg
UF318AAA11H1C4A	115	50	115	1.10	2.60	1390	28.7	1015	30.5	1.2	16/250	63	3.9
		60	155	1.40	2.40	1580	33.0	1165	40.6	1.6		66	
UF318AAA23H1C4A	230	50	115	0.60	1.43	1390	28.7	1015	30.5	1.2	4/450	63	3.9
		60	155	0.68	1.31	1580	33.0	1165	40.6	1.6		66	

UF250APA Series

Size : $\varnothing 251.5 \times 98.1$
Unit : mm

(Centrifugal Fan)



Thermally-Protected



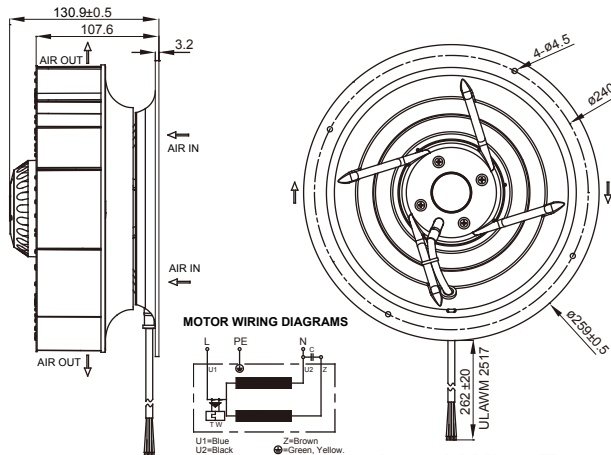
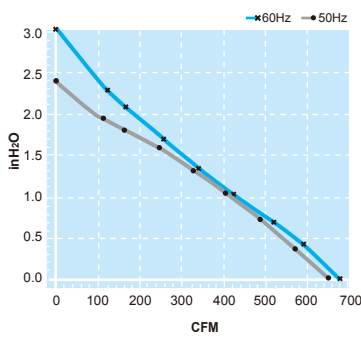
Lead Wire Type

Spec.	Rated Voltage	Frequency	Input Power	Rated Current	Locked Current	Speed	Maximum Air Flow	Maximum Air Flow	Maximum Pressure	Maximum Pressure	Capacitor	Noise	Weight
Model	V	Hz	W	A	A	RPM	m ³ /min.	CFM	mmH ₂ O	InchH ₂ O	μF/VDB	dB	kg
UF250APA11H1C2A	115	50	170	1.50	3.10	2600	22	770	56	2.2	20/250	75	3.1
		60	240	2.10	3.00	2700	24	850	74	2.9		76	
UF250APA23H1C2A	230	50	170	0.77	1.57	2600	22	770	56	2.2	5/450	75	3.1
		60	240	1.00	1.52	2700	24	850	74	2.9		76	

UF250APA-F Series

Size : $\varnothing 259 \times 130.9$
Unit : mm

(Centrifugal Fan)



Thermally-Protected



Lead Wire Type

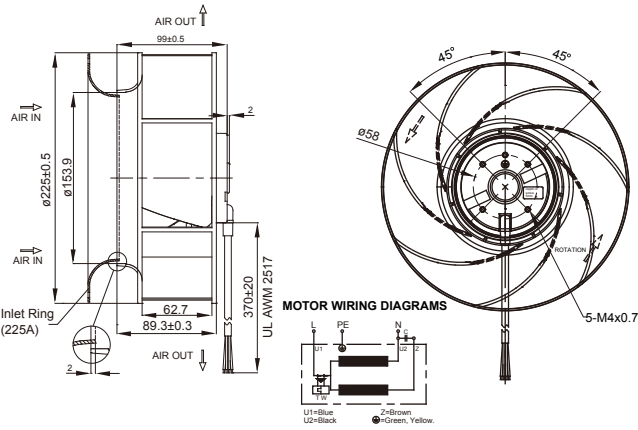
Spec.	Rated Voltage	Frequency	Input Power	Rated Current	Locked Current	Speed	Maximum Air Flow	Maximum Air Flow	Maximum Pressure	Maximum Pressure	Capacitor	Noise	Weight
Model	V	Hz	W	A	A	RPM	m ³ /min.	CFM	mmH ₂ O	InchH ₂ O	μF/VDB	dB	kg
UF250APA11H1C2F	115	50	170	1.50	3.10	2600	18.5	653	61	2.4	20/250	71	3.3
		60	240	2.10	3.00	2700	19.3	681	78	3.1		72	
UF250APA23H1C2F	230	50	170	0.77	1.57	2600	18.5	653	56	2.4	5/450	71	3.3
		60	240	1.00	1.52	2700	19.3	681	78	3.1		72	

UF225(99)APA Series

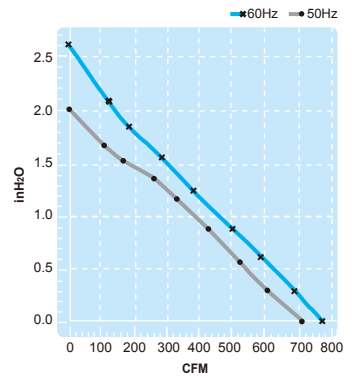
Size : $\varnothing 225 \times 99$
Unit : mm



Thermally-Protected



(Centrifugal Fan)



Lead Wire Type



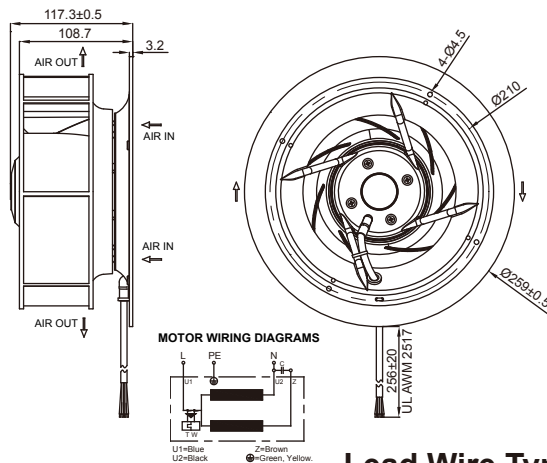
Spec.	Rated Voltage	Frequency	Input Power	Rated Current	Locked Current	Speed	Maximum Air Flow	Maximum Air Flow	Maximum Pressure	Maximum Pressure	Capacitor	Noise	Weight
Model	V	Hz	W	A	A	RPM	m ³ /min.	CFM	mmH ₂ O	InchH ₂ O	μF/VDB	dB	kg
UF225(99)APA 11H1C2A	115	50	128	1.16	2.22	2650	20	700	51	2.0	16/250	69	2.3
		60	160	1.41	2.30	2950	22	770	66	2.6		71	
UF225(99)APA 23H1C2A	230	50	126	0.57	1.14	2650	20	700	51	2.0	4/450	69	2.3
		60	157	0.70	1.15	2950	22	770	66	2.6		71	

UF225(99)APA-F Series

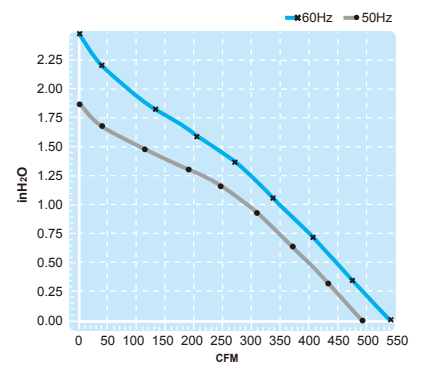
Size : $\varnothing 259 \times 117.3$
Unit : mm



Thermally-Protected



(Centrifugal Fan)



Lead Wire Type

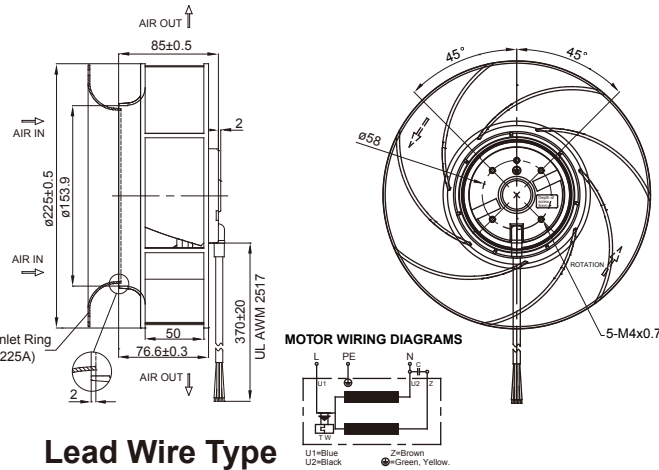
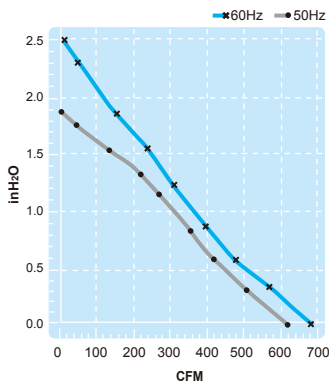


Spec.	Rated Voltage	Frequency	Input Power	Rated Current	Locked Current	Speed	Maximum Air Flow	Maximum Air Flow	Maximum Pressure	Maximum Pressure	Capacitor	Noise	Weight
Model	V	Hz	W	A	A	RPM	m ³ /min.	CFM	mmH ₂ O	InchH ₂ O	μF/VDB	dB	kg
UF225(99)APA 11H1C2F	115	50	128	1.16	2.22	2650	14.0	495	48	1.9	16/250	69	2.6
		60	160	1.41	2.30	2950	15.5	547	63	2.5		71	
UF225(99)APA 23H1C2F	230	50	126	0.57	1.14	2650	14.0	495	48	1.9	4/450	69	2.6
		60	157	0.70	1.15	2950	15.5	547	63	2.5		71	

UF225(85)APA Series

Size : $\varnothing 225 \times 85$
Unit : mm

(Centrifugal Fan)



Lead Wire Type

Thermally-Protected

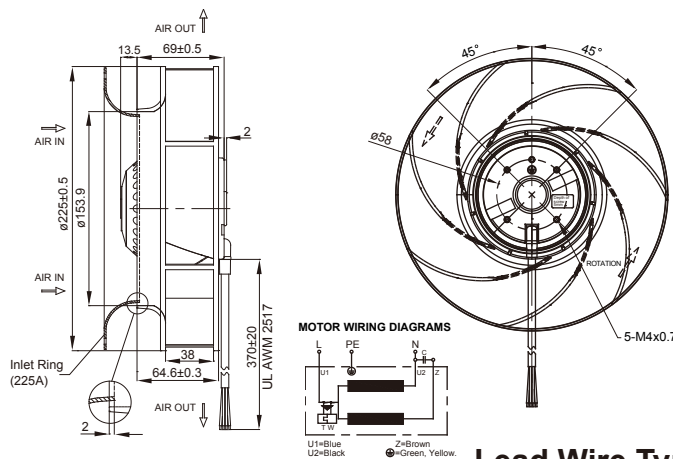
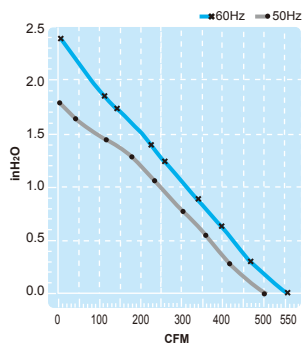


Spec.	Rated Voltage	Frequency	Input Power	Rated Current	Locked Current	Speed	Maximum Air Flow	Maximum Air Flow	Maximum Pressure	Maximum Pressure	Capacitor	Noise	Weight
Model	V	Hz	W	A	A	RPM	m ³ /min.	CFM	mmH ₂ O	InchH ₂ O	μF/VDB	dB	kg
UF225(85)APA 11H1C2A	115	50	115	1.15	2.22	2700	17.5	618	46	1.8	12/250	71	2.3
		60	135	1.20	2.30	3000	19.2	680	64	2.5		75	
UF225(85)APA 23H1C2A	230	50	115	0.57	1.14	2700	17.5	618	46	1.8	3/450	71	2.3
		60	135	0.60	1.15	3000	19.2	680	64	2.5		75	

UF225(69)APA Series

Size : $\varnothing 225 \times 69$
Unit : mm

(Centrifugal Fan)



Lead Wire Type

Thermally-Protected



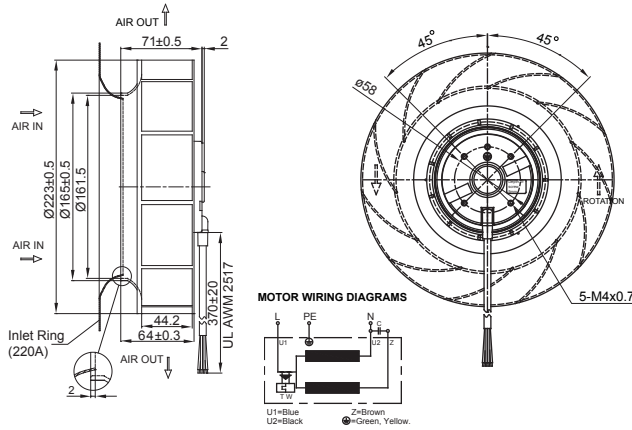
Spec.	Rated Voltage	Frequency	Input Power	Rated Current	Locked Current	Speed	Maximum Air Flow	Maximum Air Flow	Maximum Pressure	Maximum Pressure	Capacitor	Noise	Weight
Model	V	Hz	W	A	A	RPM	m ³ /min.	CFM	mmH ₂ O	InchH ₂ O	μF/VDB	dB	kg
UF225(69)APA 11H1C2A	115	50	105	1.11	2.22	2650	14.2	500	46	1.8	12/250	70	2.3
		60	125	1.12	2.30	2950	15.6	550	58	2.3		72	
UF225(69)APA 23H1C2A	230	50	105	0.54	1.14	2650	14.2	500	46	1.8	3/450	70	2.3
		60	125	0.56	1.15	2950	15.6	550	58	2.3		72	

UF220APA Series

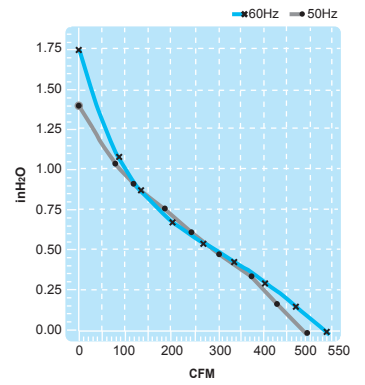
Size : $\varnothing 223 \times 71$
Unit : mm



Thermally-Protected



(Centrifugal Fan)



Lead Wire Type



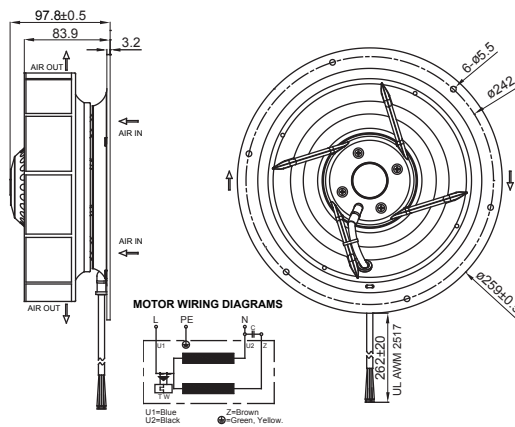
Spec.	Rated Voltage	Frequency	Input Power	Rated Current	Locked Current	Speed	Maximum Air Flow	Maximum Air Flow	Maximum Pressure	Maximum Pressure	Capacitor	Noise	Weight
Model	V	Hz	W	A	A	RPM	m ³ /min.	CFM	mmH ₂ O	InchH ₂ O	μF/VDB	dB	kg
UF220APA11H2C2A	115	50	90	0.63	0.88	2500	14	500	35	1.4	10/250	65	1.5
		60	117	0.80	0.93	2650	15	530	38	1.7		70	
UF220APA23H2C2A	230	50	90	0.35	0.47	2500	14	500	35	1.4	2/450	65	1.5
		60	117	0.39	0.49	2650	15	530	38	1.7		70	

UF220APA-F Series

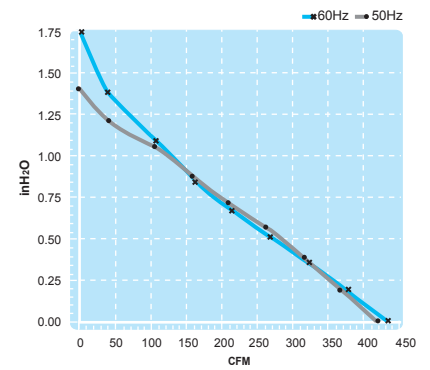
Size : $\varnothing 259 \times 97.8$
Unit : mm



Thermally-Protected



(Centrifugal Fan)



Lead Wire Type

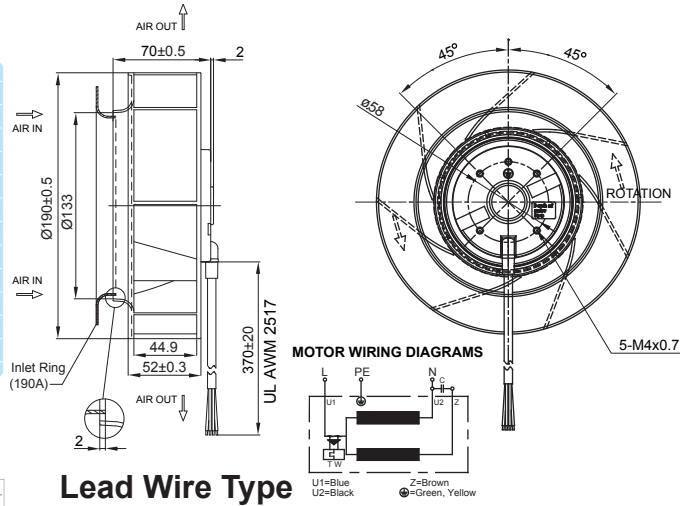
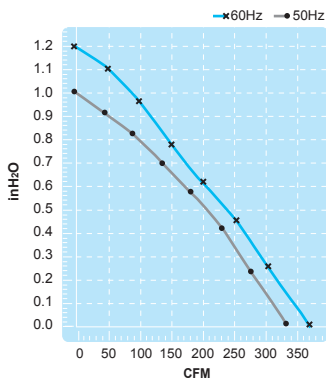


Spec.	Rated Voltage	Frequency	Input Power	Rated Current	Locked Current	Speed	Maximum Air Flow	Maximum Air Flow	Maximum Pressure	Maximum Pressure	Capacitor	Noise	Weight
Model	V	Hz	W	A	A	RPM	m ³ /min.	CFM	mmH ₂ O	InchH ₂ O	μF/VDB	dB	kg
UF220APA11H2C2F	115	50	90	0.63	0.88	2500	12.0	424	36	1.4	10/250	64	1.9
		60	117	0.80	0.93	2650	12.3	434	45	1.8		65	
UF220APA23H2C2F	230	50	90	0.35	0.47	2500	12.0	424	36	1.4	2/450	64	1.9
		60	117	0.39	0.49	2650	12.3	434	45	1.8		65	

UF190APA Series

Size : $\varnothing 190 \times 70$
Unit : mm

(Centrifugal Fan)



Thermally-Protected



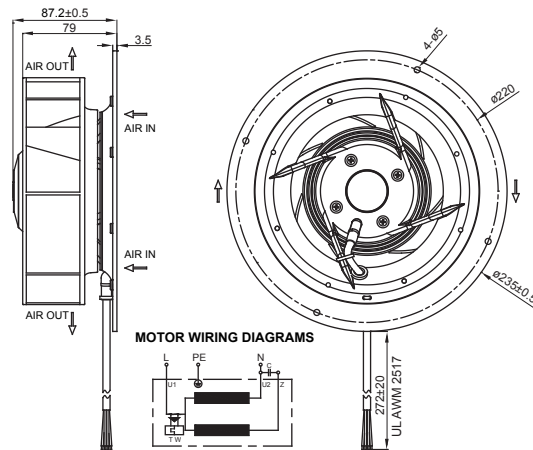
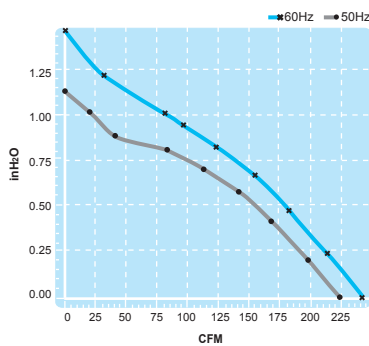
Lead Wire Type

Spec.	Rated Voltage	Frequency	Input Power	Rated Current	Locked Current	Speed	Maximum Air Flow	Maximum Air Flow	Maximum Pressure	Maximum Pressure	Capacitor	Noise	Weight
Model	V	Hz	W	A	A	RPM	m ³ /min.	CFM	mmH ₂ O	InchH ₂ O	μF/VDB	dB	kg
UF190APA11H1C2A	115	50	55	0.45	0.92	2500	9.5	335	25	1.0	6/250	60	1.2
		60	65	0.54	0.91	2700	10.4	370	30	1.2		63	
UF190APA23H1C2A	230	50	57	0.23	0.43	2500	9.5	335	25	1.0	2/450	60	1.2
		60	72	0.30	0.45	2700	10.4	370	30	1.2		63	

UF190APA-F Series

Size : $\varnothing 235 \times 87.2$
Unit : mm

(Centrifugal Fan)



Thermally-Protected



Lead Wire Type

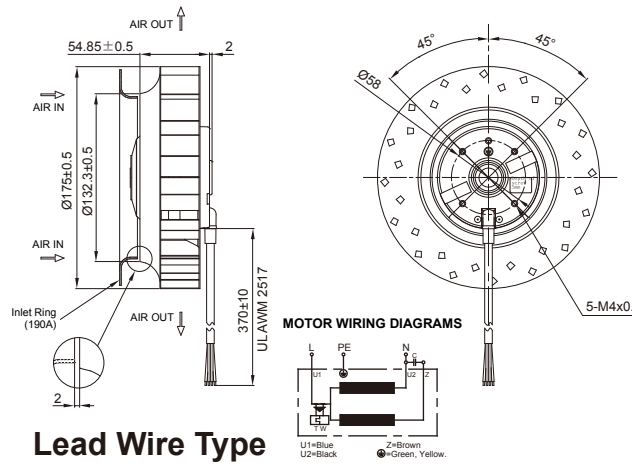
Spec.	Rated Voltage	Frequency	Input Power	Rated Current	Locked Current	Speed	Maximum Air Flow	Maximum Air Flow	Maximum Pressure	Maximum Pressure	Capacitor	Noise	Weight
Model	V	Hz	W	A	A	RPM	m ³ /min.	CFM	mmH ₂ O	InchH ₂ O	μF/VDB	dB	kg
UF190APA11H1C2F	115	50	55	0.45	0.92	2500	6.5	230	29	1.1	6/250	60	1.5
		60	65	0.54	0.91	2700	7.0	247	38	1.5		63	
UF190APA23H1C2F	230	50	57	0.23	0.43	2500	6.5	230	29	1.1	2/450	60	1.5
		60	72	0.30	0.45	2700	7.0	247	38	1.5		63	

UF175AMA Series

Size : $\varnothing 175 \times 54.85$
Unit : mm

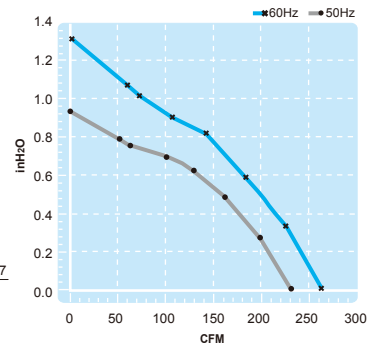


Thermally-Protected



Lead Wire Type

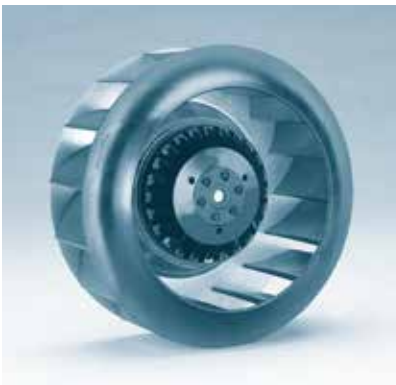
(Centrifugal Fan)



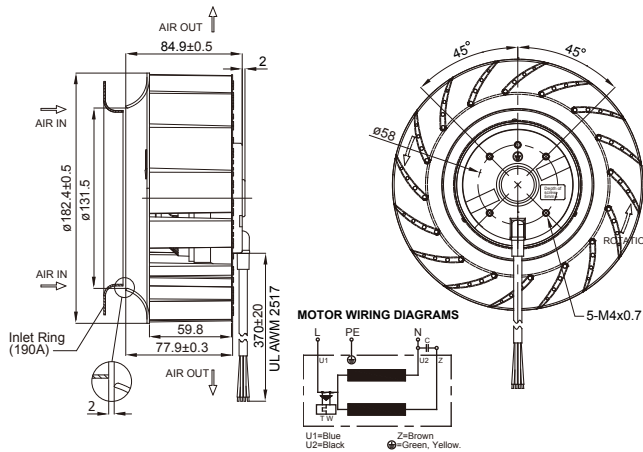
Spec.	Rated Voltage	Frequency	Input Power	Rated Current	Locked Current	Speed	Maximum Air Flow	Maximum Air Flow	Maximum Pressure	Maximum Pressure	Capacitor	Noise	Weight
Model	V	Hz	W	A	A	RPM	m ³ /min.	CFM	mmH ₂ O	InchH ₂ O	μF/VDB	dB	kg
UF175AMA11H1C2A	115	50	60	0.48	0.76	2550	7.2	253	23	0.9	6/250	66	1.3
		60	66	0.51	0.78	2900	8.0	284	33	1.3		70	
UF175AMA23H1C2A	230	50	60	0.24	0.37	2550	6.9	244	23	0.9	1.5/450	66	1.3
		60	66	0.26	0.38	2900	7.8	274	33	1.3		70	

UF180APA Series

Size : $\varnothing 182.4 \times 84.9$
Unit : mm

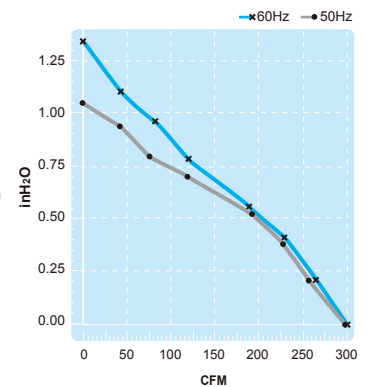


Thermally-Protected



Lead Wire Type

(Centrifugal Fan)

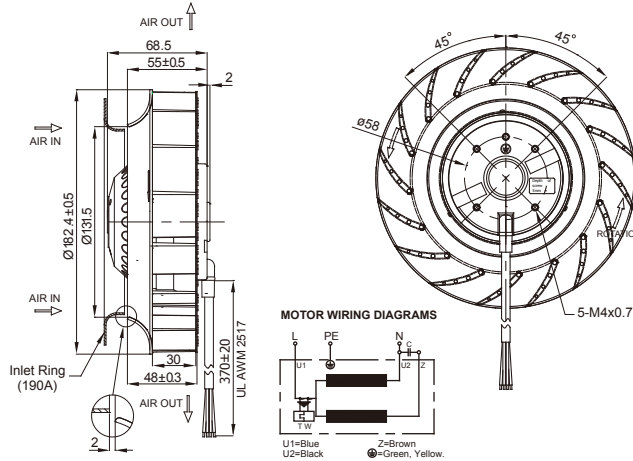
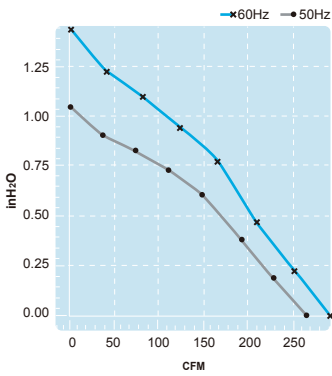


Spec.	Rated Voltage	Frequency	Input Power	Rated Current	Locked Current	Speed	Maximum Air Flow	Maximum Air Flow	Maximum Pressure	Maximum Pressure	Capacitor	Noise	Weight
Model	V	Hz	W	A	A	RPM	m ³ /min.	CFM	mmH ₂ O	InchH ₂ O	μF/VDB	dB	kg
UF180APA11H1C2A	115	50	70	0.62	0.86	2300	8.5	300	25	1.0	10/250	63	1.4
		60	83	0.75	0.93	2400	8.5	300	34	1.3		63	
UF180APA23H1C2A	230	50	70	0.30	0.41	2300	8.5	300	25	1.0	2/450	63	1.4
		60	81	0.35	0.44	2400	8.5	300	34	1.3		63	

UF180(55)APA Series

Size : $\phi 182.4 \times 68.5$
Unit : mm

(Centrifugal Fan)



Thermally-Protected



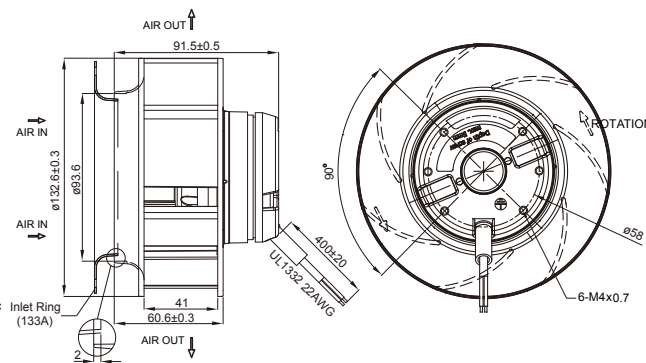
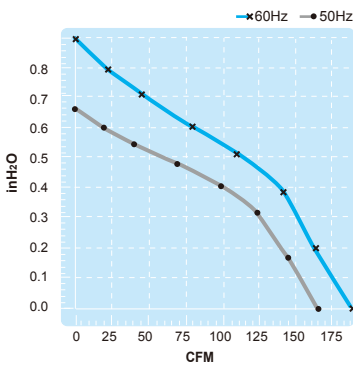
Lead Wire Type

Spec.	Rated Voltage	Frequency	Input Power	Rated Current	Locked Current	Speed	Maximum Air Flow	Maximum Air Flow	Maximum Pressure	Maximum Pressure	Capacitor	Noise	Weight
Model	V	Hz	W	A	A	RPM	m ³ /min.	CFM	mmH ₂ O	InchH ₂ O	μ F/VDB	dB	kg
UF180(55)APA 11H2C2A	115	50	63	0.60	0.92	2550	7.5	265	26	1.0	10/250	64	1.2
		60	78	0.70	0.95	2800	8.3	290	36	1.4	67		
UF180(55)APA 23H2C2A	230	50	63	0.30	0.46	2550	7.5	265	26	1.0	2/450	64	1.2
		60	78	0.34	0.48	2800	8.3	290	36	1.4	67		

UF133(91)APA Series

Size : $\phi 132.6 \times 91.5$
Unit : mm

(Centrifugal Fan)



Thermally-Protected



Lead Wire Type

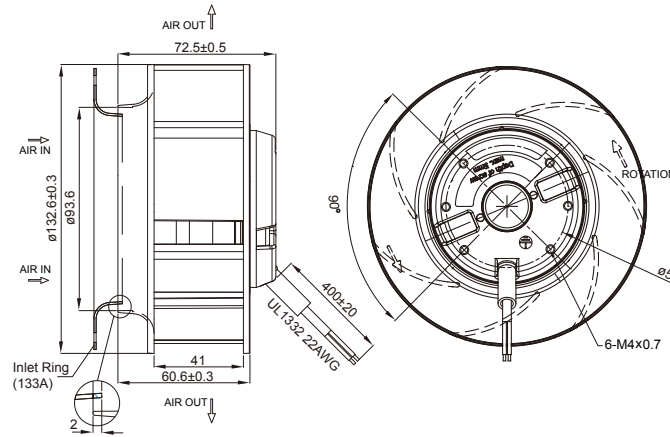
Spec.	Rated Voltage	Frequency	Input Power	Rated Current	Locked Current	Speed	Maximum Air Flow	Maximum Air Flow	Maximum Pressure	Maximum Pressure	Capacitor	Noise	Weight
Model	V	Hz	W	A	A	RPM	m ³ /min.	CFM	mmH ₂ O	InchH ₂ O	μ F/VDB	dB	kg
UF133(91)APA 11H1S2A	115	50	42	0.50	0.83	2780	4.66	165	16.6	0.65	---	56	0.9
		60	41	0.43	0.72	3200	5.33	188	22.4	0.88	60		
UF133(91)APA 23H1S2A	230	50	40	0.24	0.39	2780	4.66	165	16.6	0.65	---	56	0.9
		60	39	0.21	0.34	3200	5.33	188	22.4	0.88	60		

UF133(72)APA Series

Size : $\phi 132.6 \times 72.5$
Unit : mm

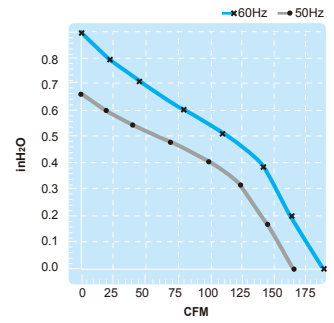


Thermally-Protected



Lead Wire Type

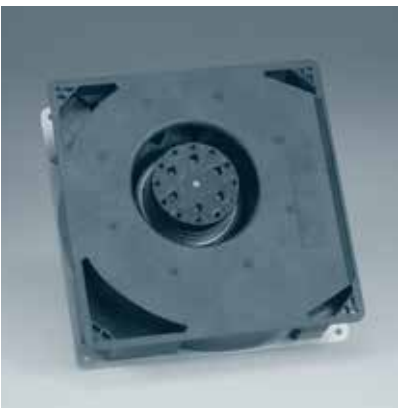
(Centrifugal Fan)



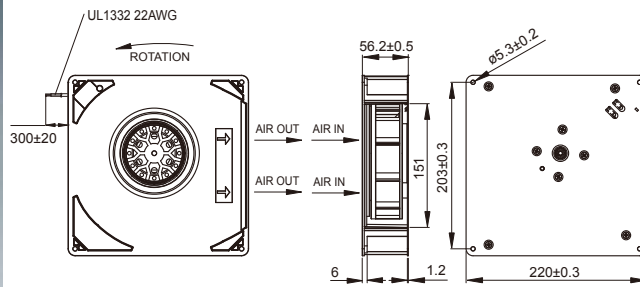
Spec.	Rated Voltage	Frequency	Input Power	Rated Current	Locked Current	Speed	Maximum Air Flow	Maximum Air Flow	Maximum Pressure	Maximum Pressure	Capacitor	Noise	Weight
Model	V	Hz	W	A	A	RPM	m ³ /min.	CFM	mmH ₂ O	InchH ₂ O	μ F/VDB	dB	kg
UF133(72)APA 11H1S2A	115	50	42	0.50	0.83	2780	4.66	165	16.6	0.65	---	56	0.9
		60	41	0.43	0.72	3200	5.33	188	22.4	0.88	---	60	
UF133(72)APA 23H1S2A	230	50	40	0.24	0.39	2780	4.66	165	16.6	0.65	---	56	0.9
		60	39	0.21	0.34	3200	5.33	188	22.4	0.88	---	60	

UF160DPB Series

Size : $220 \times 220 \times 56.2$
Unit : mm

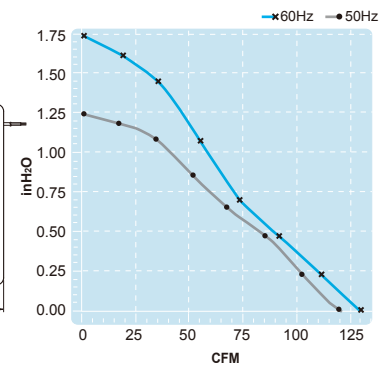


Thermally-Protected



Lead Wire Type

(Blower Fan)

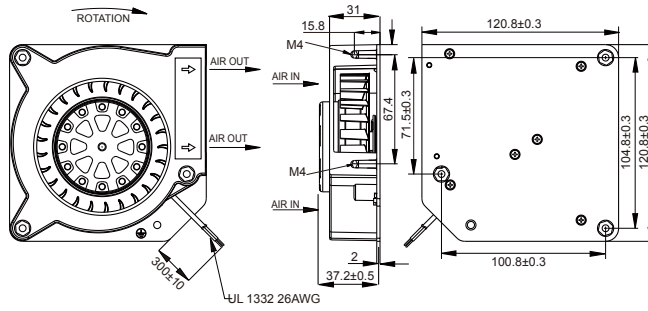
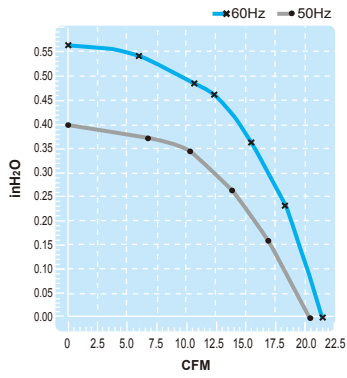


Spec.	Rated Voltage	Frequency	Input Power	Rated Current	Locked Current	Speed	Maximum Air Flow	Maximum Air Flow	Maximum Pressure	Maximum Pressure	Noise	Weight
Model	V	Hz	W	A	A	RPM	m ³ /min.	CFM	mmH ₂ O	InchH ₂ O	dB	kg
UF160DPB11H1S2A	115	50	50	0.70	0.94	2700	3.3	118	33	1.3	63	1.73
		60	52	0.60	0.80	2900	3.6	126	46	1.8	65	
UF160DPB23H1S2A	230	50	50	0.40	0.46	2700	3.3	118	33	1.3	63	1.73
		60	53	0.30	0.40	2900	3.6	126	46	1.8	65	

UF90DPB Series

Size : 120.8 x 120.8 x 37.2
Unit : mm

(Blower Fan)



Lead Wire Type



Impedance-Protected



Spec.	Rated Voltage	Frequency	Input Power	Rated Current	Locked Current	Speed	Maximum Air Flow	Maximum Air Flow	Maximum Pressure	Maximum Pressure	Noise	Weight
Model	V	Hz	W	A	A	RPM	m ³ /min.	CFM	mmH ₂ O	InchH ₂ O	dB	kg
UF90DPB11H1S2A	115	50	19	0.23	0.30	2500	0.58	20	10	0.40	49	0.66
		60	18	0.21	0.26	2700	0.60	21	13	0.50	51	
UF90DPB23H1S2A	230	50	19	0.11	0.14	2500	0.58	20	10	0.40	49	0.66
		60	18	0.10	0.12	2700	0.60	21	13	0.50	51	

DUCT FAN

General Data:

- Frame/Housing : Plastic
- Impeller : Plastic
- Bearing System : Ball bearing
- Motor : Capacitor run motor
- Protection : Thermally-Protected
- Insulation Resistance : Above 100M Ω , DC500V.
- Dielectric Withstand Voltage : AC1,500V (50/60Hz) one minute
- Life Expectancy : Over 40,000 hours (at 40°C)
- Safety Approval : CE



- Description of Model No.

DF	150	P	23	B	W	H/L
1	2	3	4	5	6	7

1. Model Series:

DF: DUCT FAN

2. Blade Diameter:

150: \varnothing 150mm

200: \varnothing 200mm

3. Material of Frame:

P: Plastic

4. Voltage:

11: 115V

23: 230V

5. Bearing:

B: Ball

S: Sleeve

6. Electrical Connection:

T: Terminal Type

W: Lead Wire

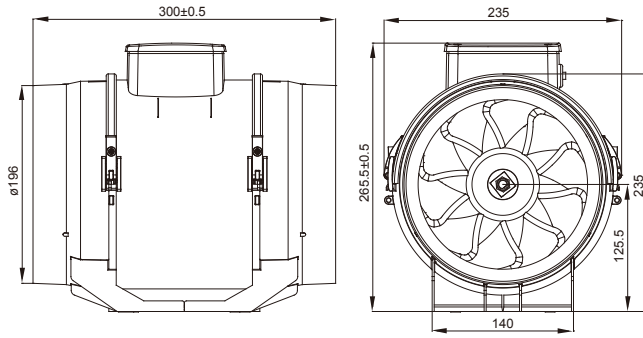
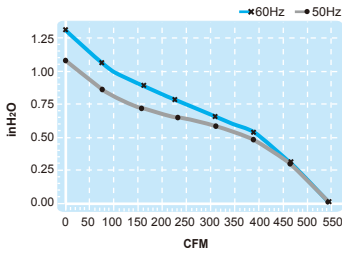
7. Speed:

H/L: Dual Speed (Standard)

DF200P Series

Size : 300 x 265.5
Unit : mm

(Duct Fan)



Thermally-Protected

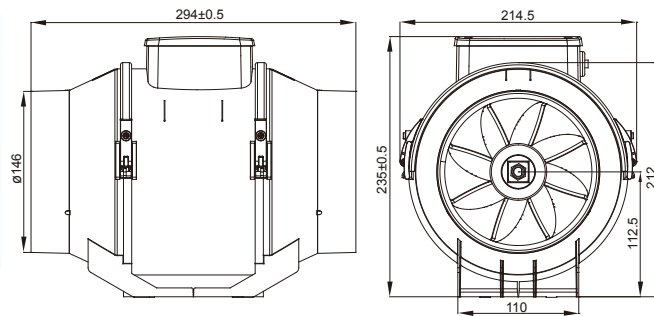
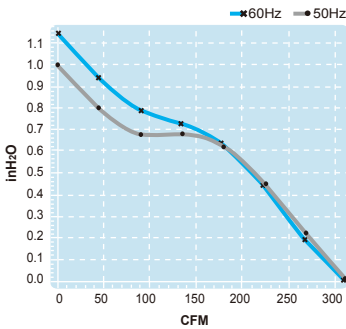


Spec.	Rated Voltage V	Frequency Hz	Input Power W	Rated Current A	Locked Current A	Speed RPM	Maximum Air Flow m ³ /min.	Maximum Air Flow CFM	Maximum Pressure mmH ₂ O	Maximum Pressure InchH ₂ O	Noise dB	IP Rate	Weight kg
DF200P23-H	230	50	150	0.63	0.95	2100	15.6	550	29	1.14	59	44	4
-L	230	50	125	0.54	0.65	1700	12.5	440	26	1.02	53	44	4

DF150P Series

Size : 294 x 235
2-Speed: High and Low
Unit : mm

(Duct Fan)



Thermally-Protected

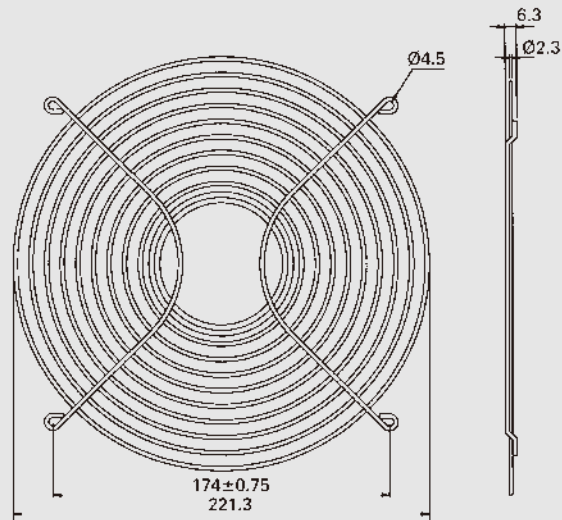
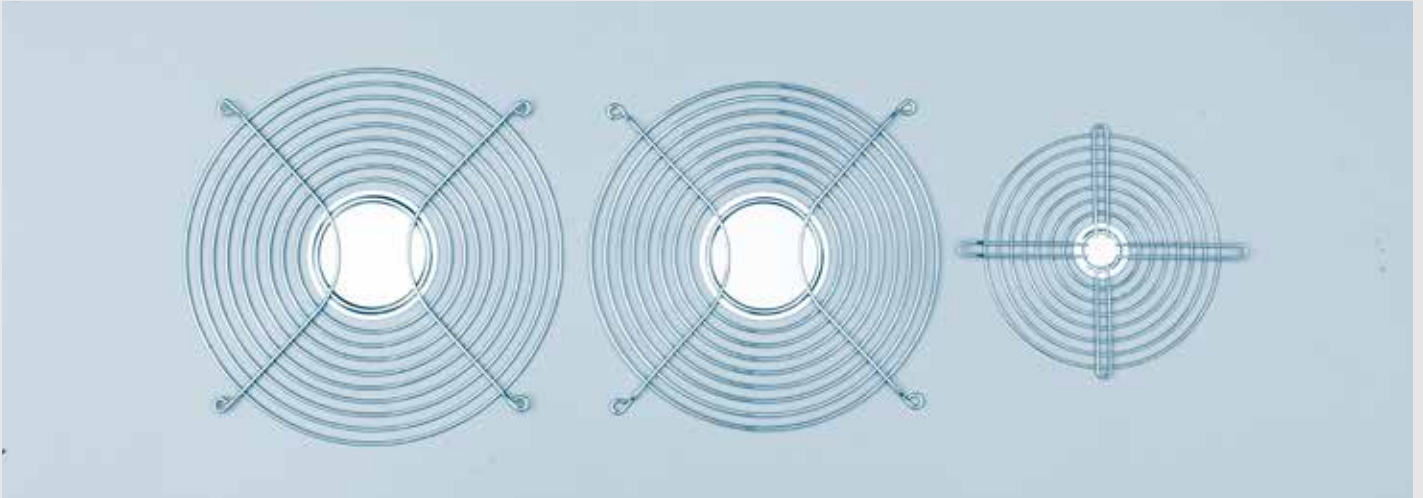


Spec.	Rated Voltage V	Frequency Hz	Input Power W	Rated Current A	Locked Current A	Speed RPM	Maximum Air Flow m ³ /min.	Maximum Air Flow CFM	Maximum Pressure mmH ₂ O	Maximum Pressure InchH ₂ O	Noise dB	IP Rate	Weight kg
DF150P11-H	115	50	65	0.54	0.67	2000	8.5	300	26	1.02	62	44	2.6
		60	75	0.65	0.68	1900	8.2	290	29	1.14	61	44	2.6
-L	115	50	50	0.43	0.46	1400	5.7	200	19	0.75	53	44	2.6
		60	52	0.46	0.47	1300	5.1	180	17	0.67	50	44	2.6
DF150P23-H	230	50	65	0.27	0.32	2000	8.5	300	26	1.02	62	44	2.6
		60	75	0.32	0.33	1900	8.2	290	29	1.14	61	44	2.6
-L	230	50	50	0.21	0.23	1400	5.7	200	19	0.75	53	44	2.6
		60	52	0.23	0.24	1300	5.1	180	17	0.67	50	44	2.6

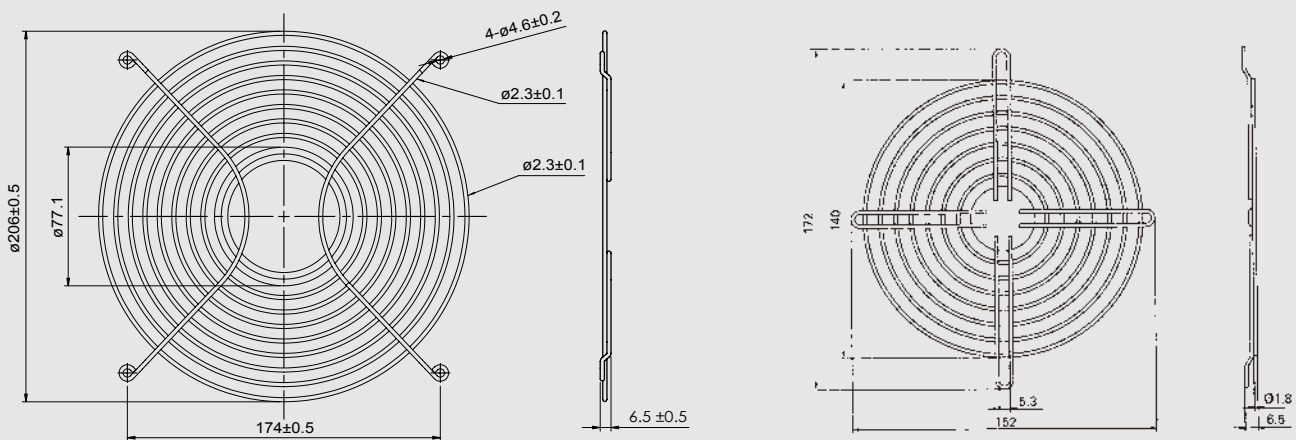
ACCESSORIES

Fan Guard

Unit: mm



MG-25 (For UF25HC, 25GC, 25GCA, 25GCB Series)
*Steel



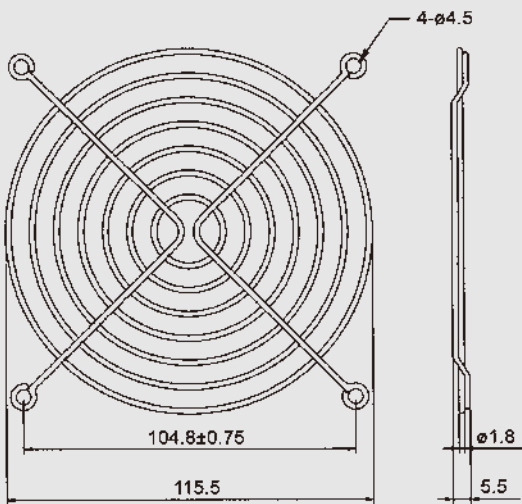
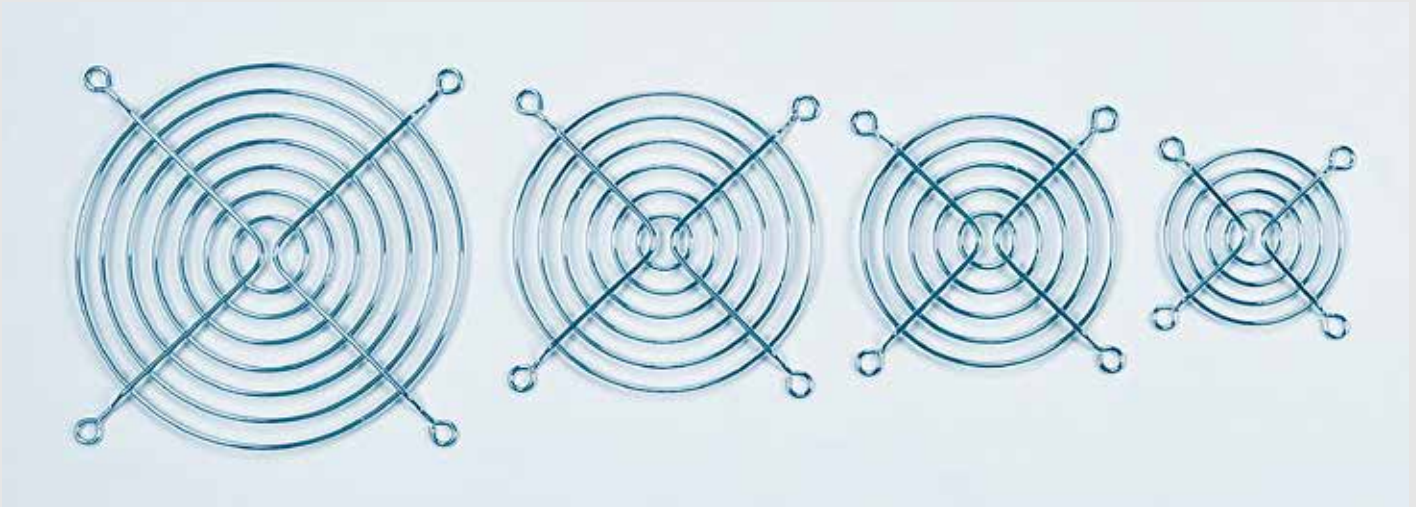
MG-20 (For UF20TC, 20JC Series)
*Steel

MG-15 (For UF15P, 17P, 15PC, 15KC, 17PC, 15AC Series)
*Steel

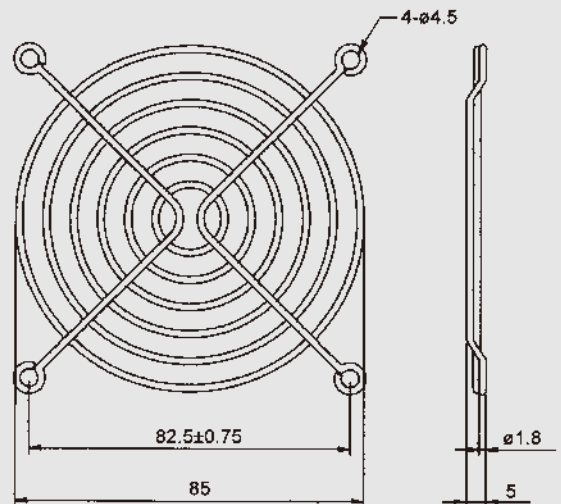
* Dimensions of fan guards are only for reference, for details please send your inquiry.

Fan Guard

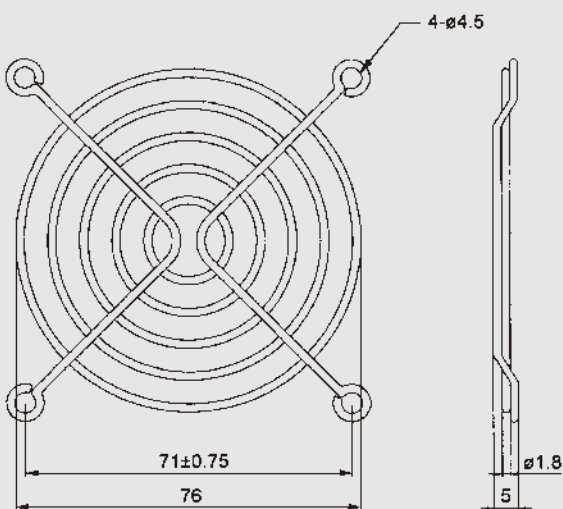
Unit: mm



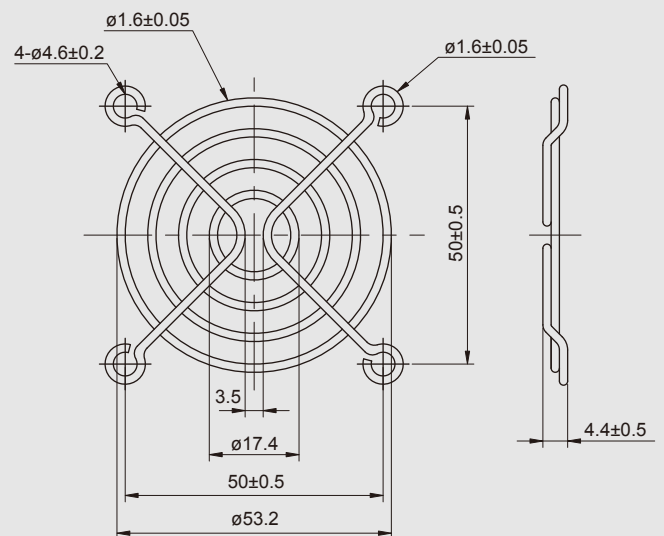
MG-12 (For UF12A, 12B Series)
*Steel



MG-92 (For UF92A, 92AM, 92B Series)
*Steel



MG-80 (For UF80A, 80B Series)
*Steel



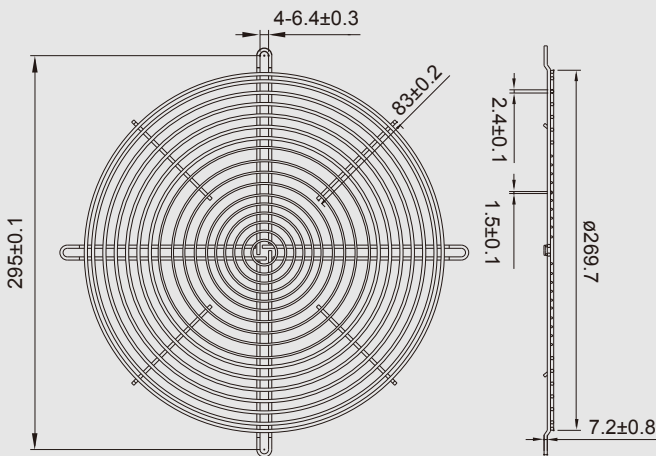
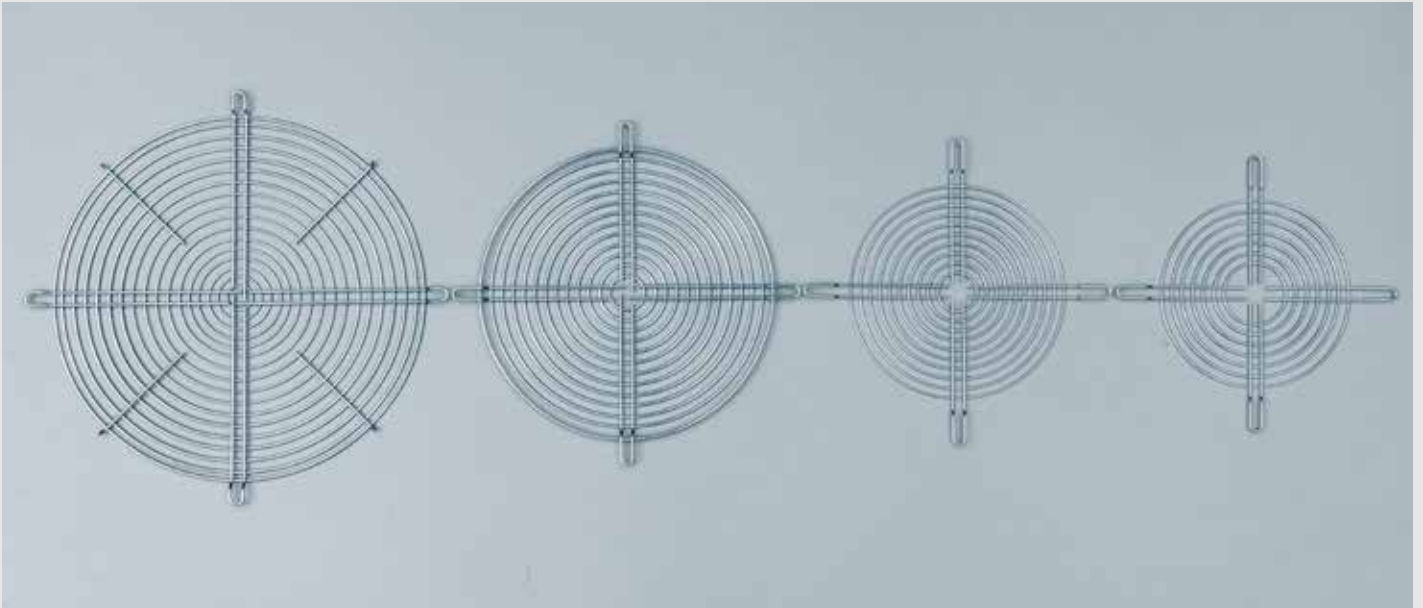
MG-60 (For UF60D Series)
*Steel

* Dimensions of fan guards are only for reference, for details please send your inquiry.

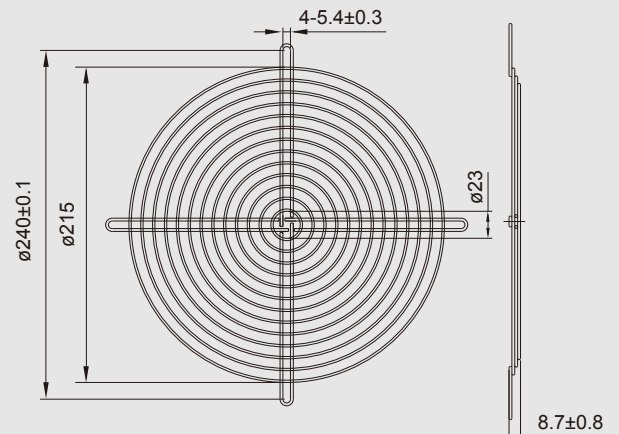
ACCESSORIES

Fan Guard

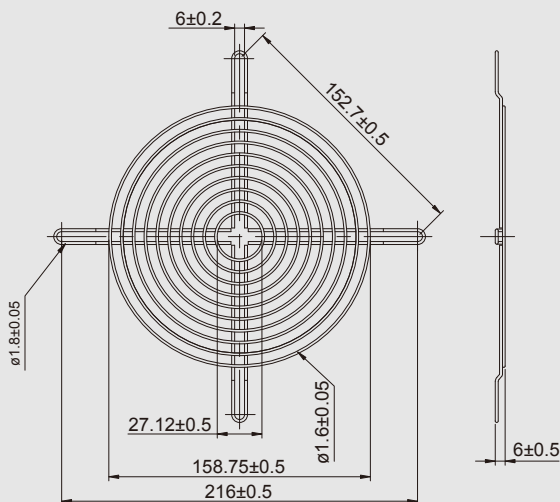
Unit: mm



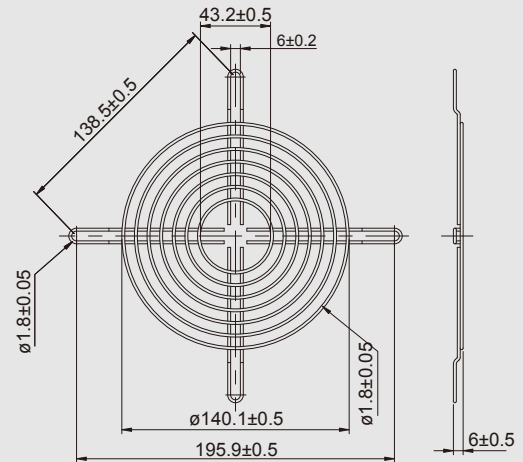
MG-250 (For UF250BMB Series)
*Steel



MG-200 (For UF200BMB, T200BMB, T200BPB Series)
*Steel



MG-18 (For UF18JC Series)
*Steel

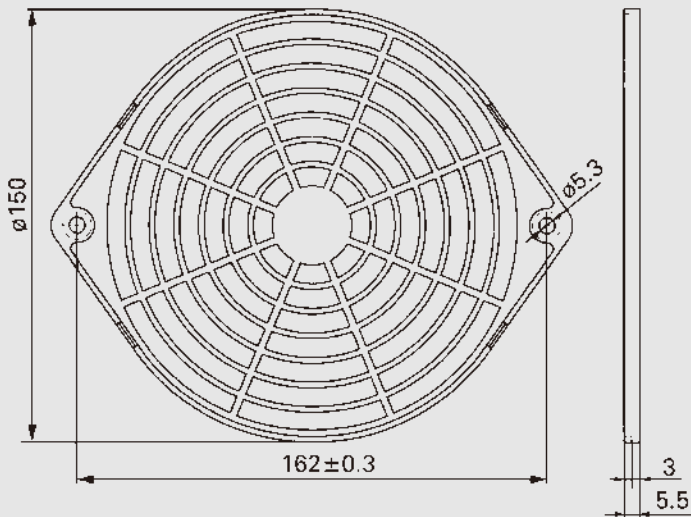
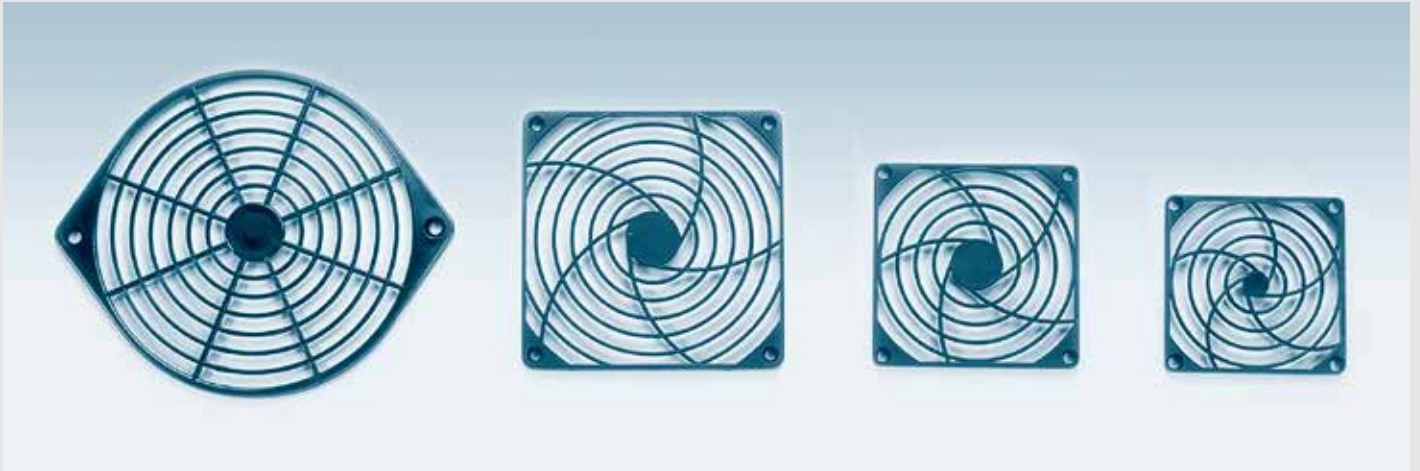


MG-16 (For UF16FC Series)
*Steel

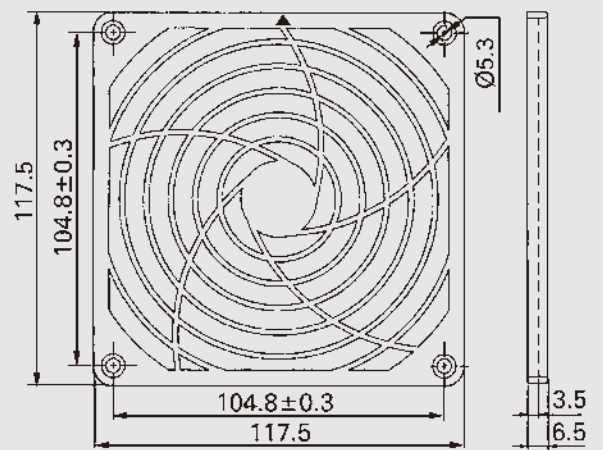
* Dimensions of fan guards are only for reference, for details please send your inquiry.

Plastic Guard (PC)

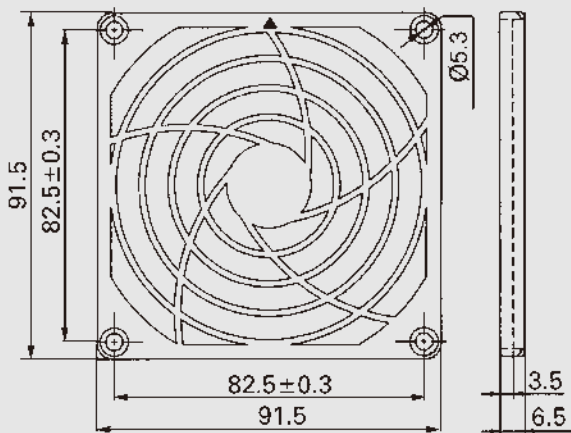
Unit: mm



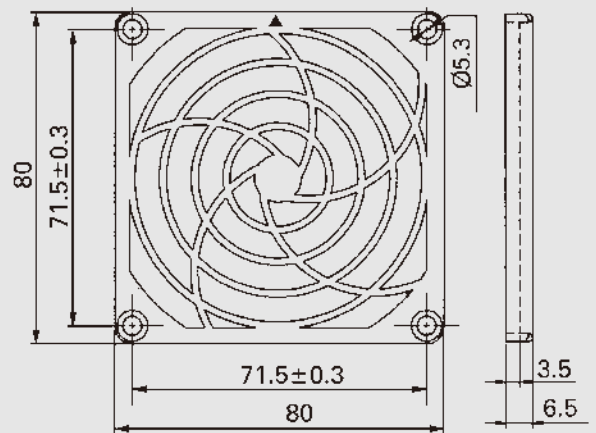
PG-15 (For UF15P, 17P, 15PC,
17PC, 15AC, 15KC Series)
*Plastic



PG-12 (For UF12A, 12B Series)
*Plastic



PG-92 (For UF92A, 92AM, 92B Series)
*Plastic



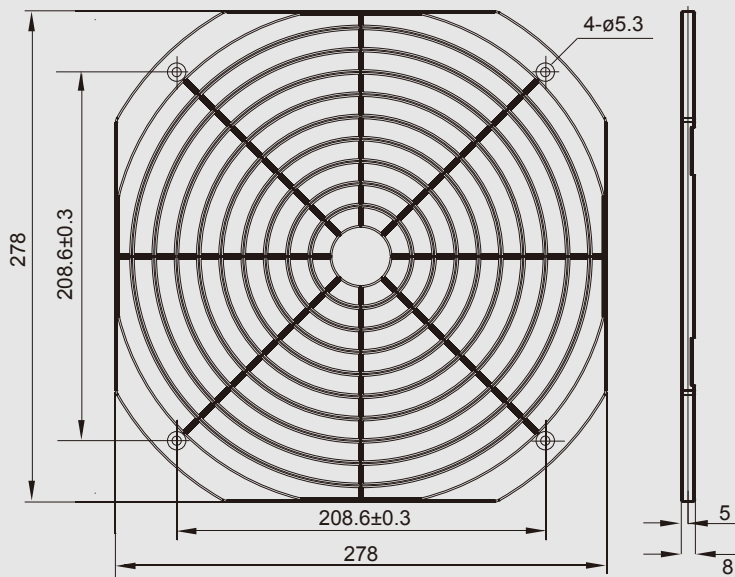
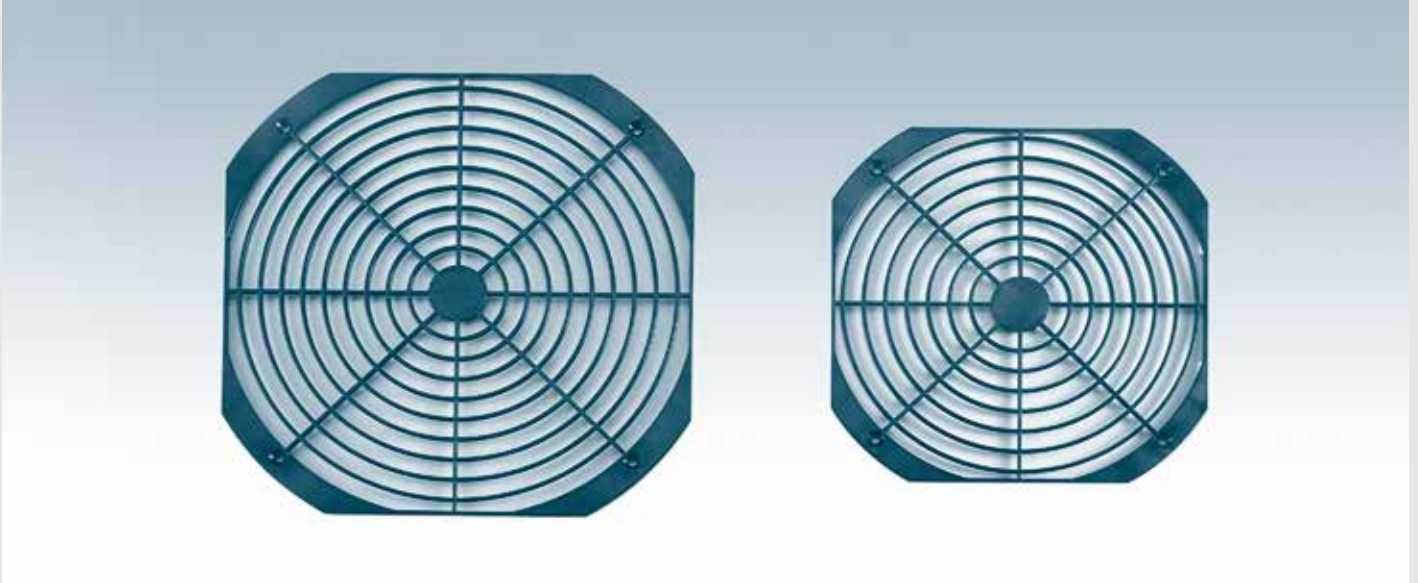
PG-80 (For UF80A, 80B Series)
*Plastic

* Dimensions of fan guards are only for reference, for details please send your inquiry.

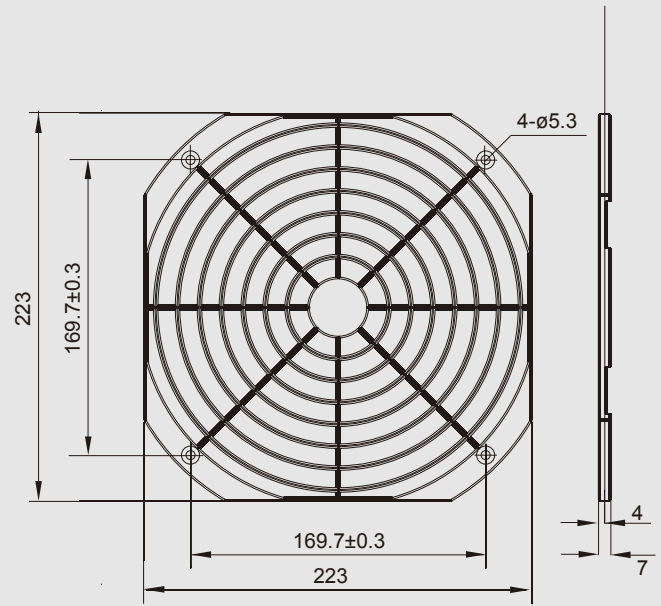
ACCESSORIES

Plastic Guard (PC)

Unit: mm



PG-250B (For UF250BMB)
*Plastic

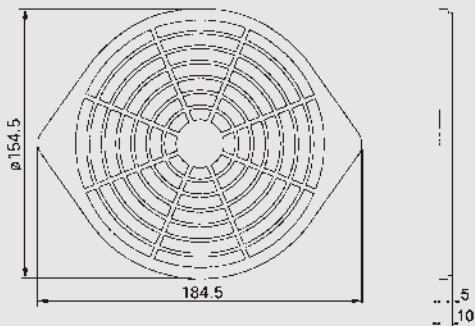
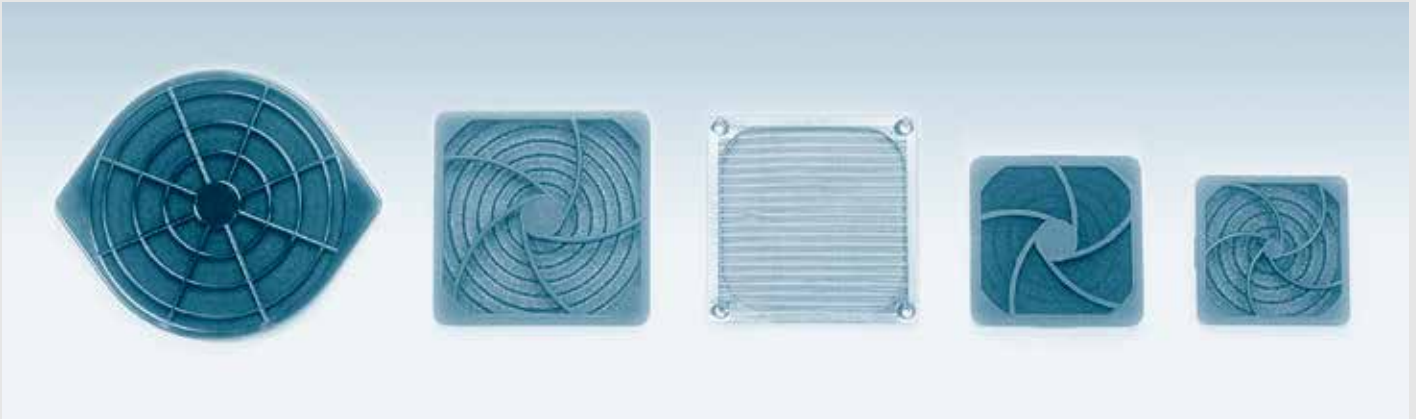


PG-200B (For UF200BMB)
*Plastic

* Dimensions of fan guards are only for reference, for details please send your inquiry.

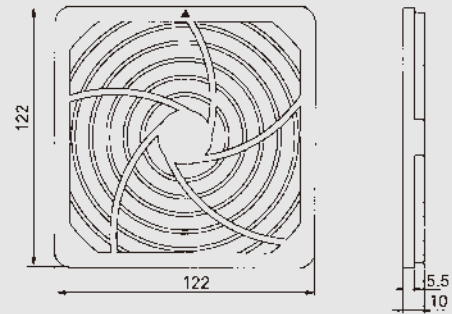
Fan Filter (PC)

Unit: mm



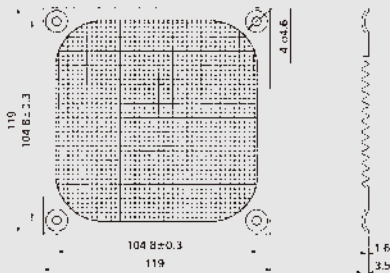
PFG-15 (For UF15P, 17P, 15PC, 17PC, 15AC, 15KC Series)

*Plastic



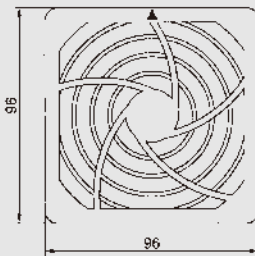
PFG-12 (For UF12A, 12B Series)

*Plastic



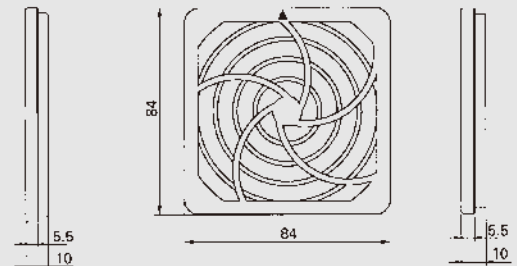
MSG-12 (For UF12A, 12B Series)

*Stainless



PFG-92 (For UF92A, 92AM, 92B Series)

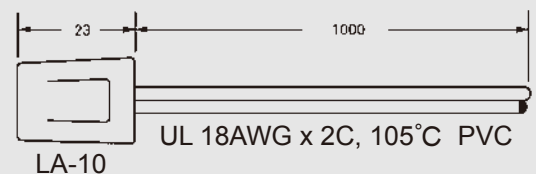
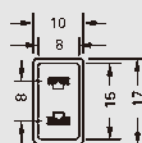
*Plastic



PFG-80 (For UF80A, 80B Series)

*Plastic

Plug Cords

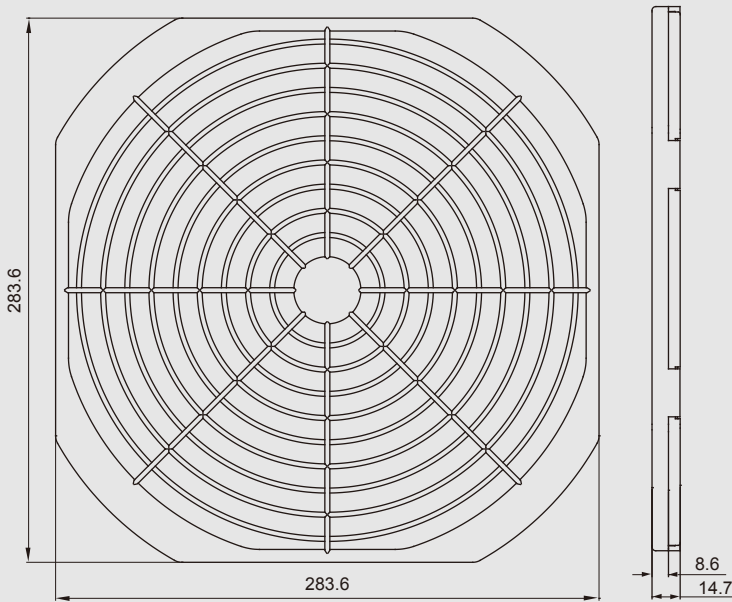
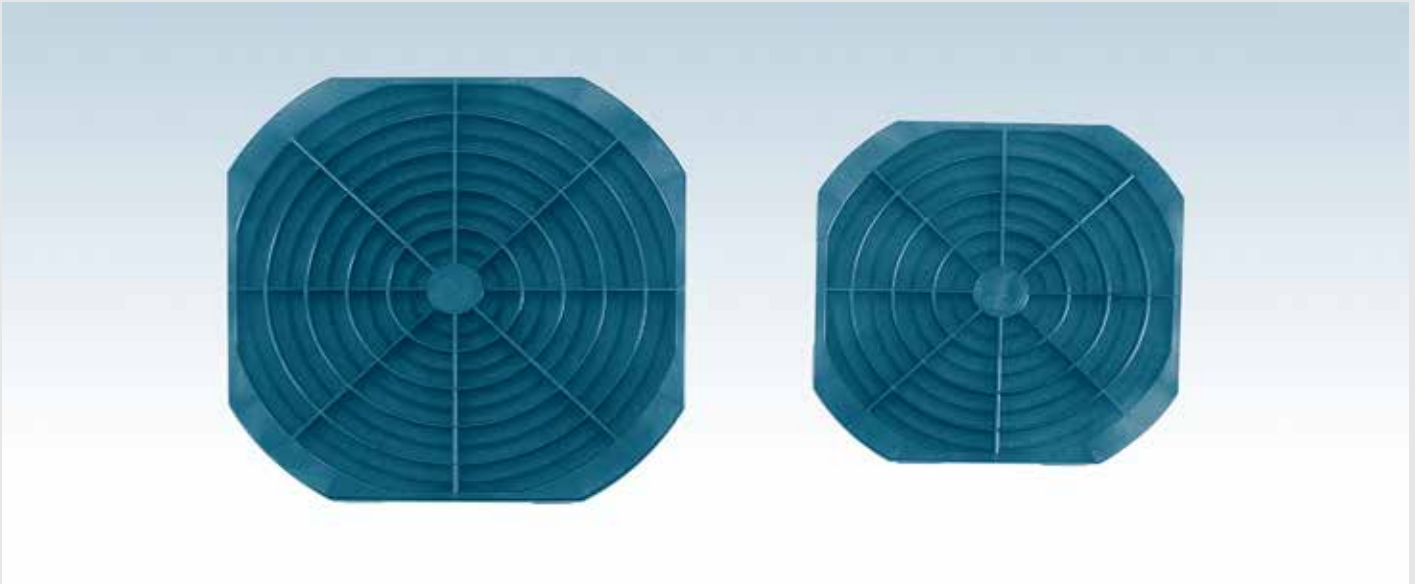


* Dimensions of fan guards are only for reference, for details please send your inquiry.

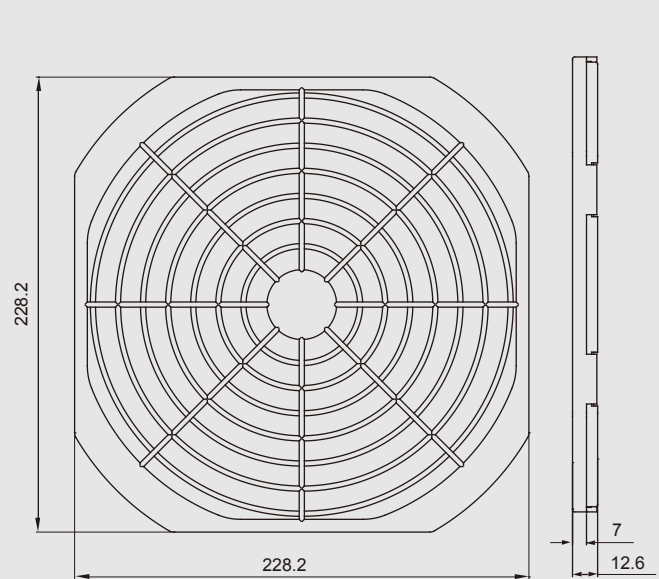
ACCESSORIES

Fan Filter (PC)

Unit: mm



PFG-250B (For 250BMB)
*Plastic

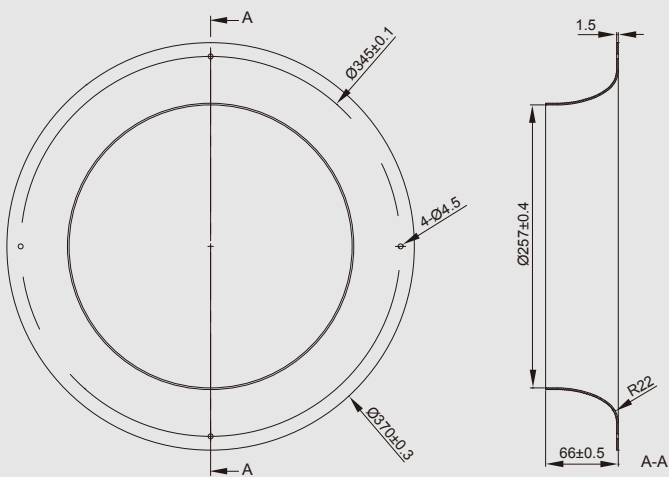


PFG-200B (For 200BMB)
*Plastic

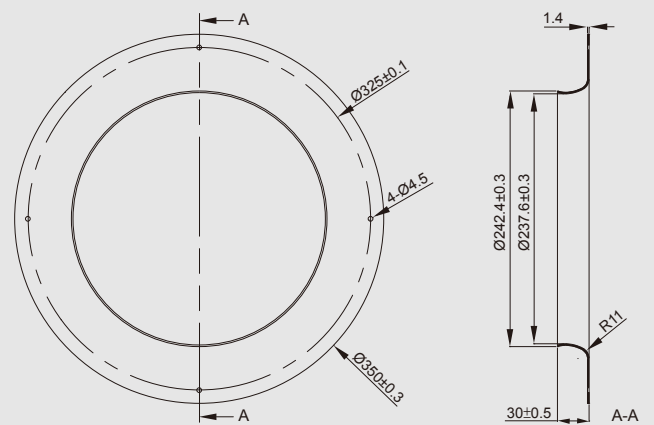
* Dimensions of fan guards are only for reference, for details please send your inquiry.

Duct Ring (for Centrifugal Fan)

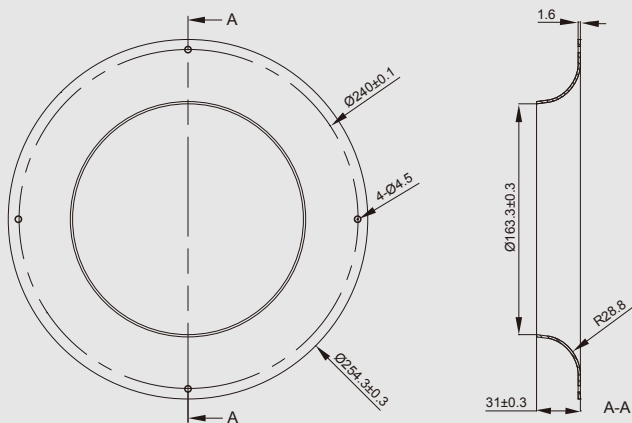
Unit: mm



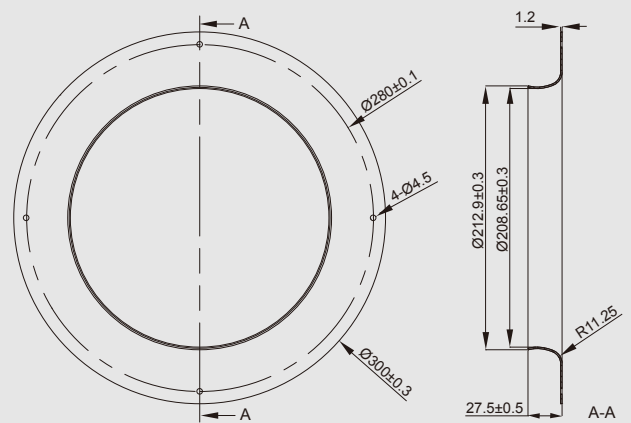
400A (For UF400AAA)
*Galvanized Steel



360A (For UF360AAA)
*Galvanized Steel



250A (For UF250APA)
*Galvanized Steel



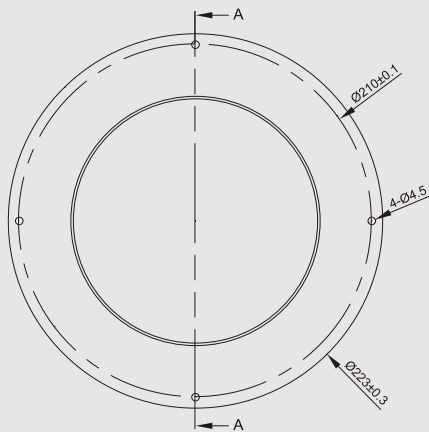
318A (For UF318AAA)
*Galvanized Steel

* Dimensions of fan guards are only for reference, for details please send your inquiry.

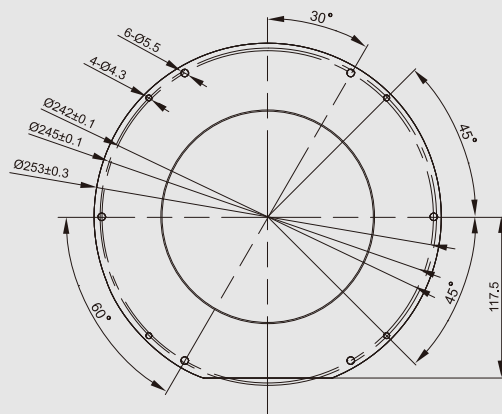
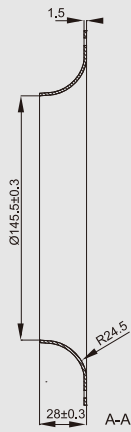
ACCESSORIES

Duct Ring (for Centrifugal Fan)

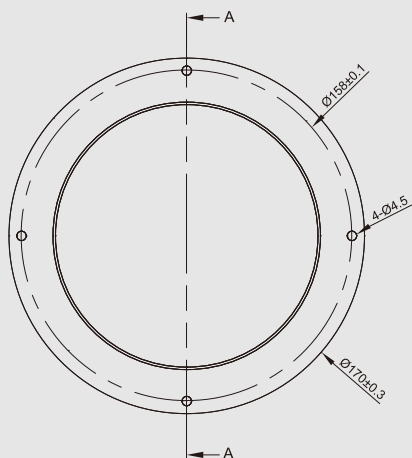
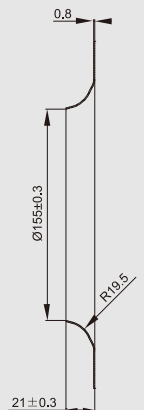
Unit: mm



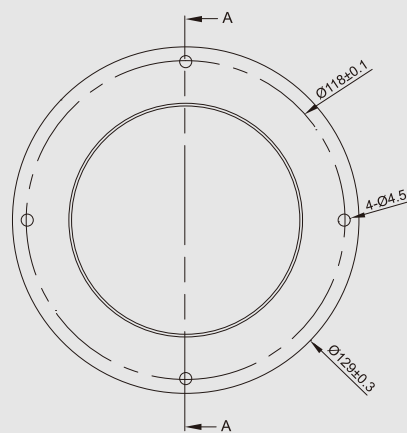
225A (For UF225 Series)
*Galvanized Steel



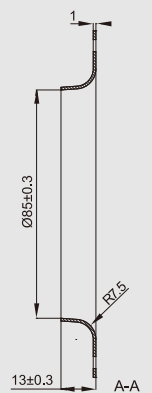
220A (For UF220APA)
*Galvanized Steel



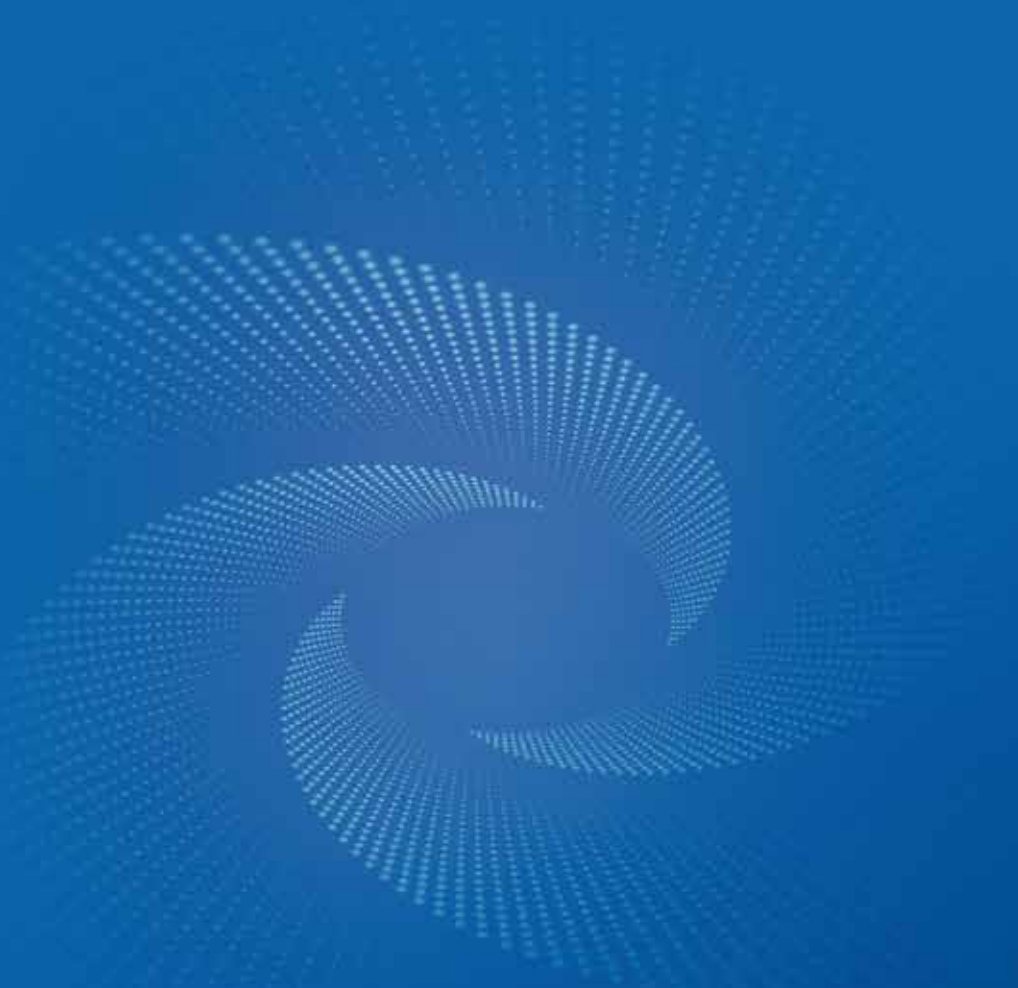
190A (For UF190APA, UF180APA and UF175AMA)
*Galvanized Steel



133A (For UF133APA)
*Galvanized Steel



* Dimensions of fan guards are only for reference, for details please send your inquiry.



FULLTECH ELECTRIC CO., LTD.

No. 31, Nei-Shi Road, Lu-Chu District 33852,

Taoyuan City, Taiwan, R.O.C.

Tel: 886-3-3246161

Fax: 886-3-3245596

e-mail: contact@fulltech.com.tw



www.fulltechtw.com