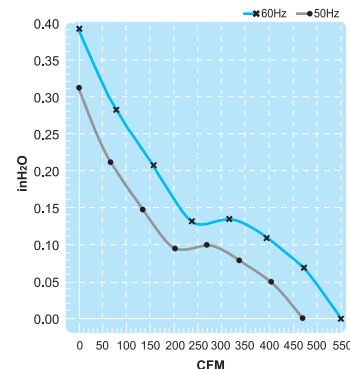
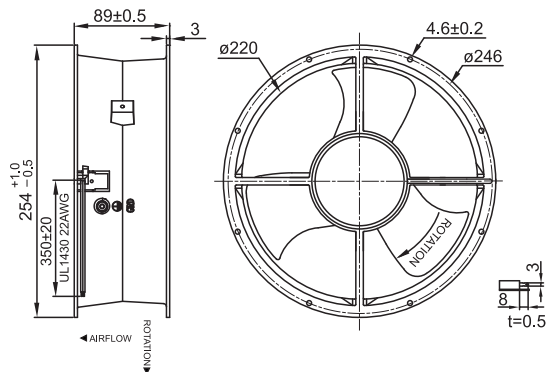
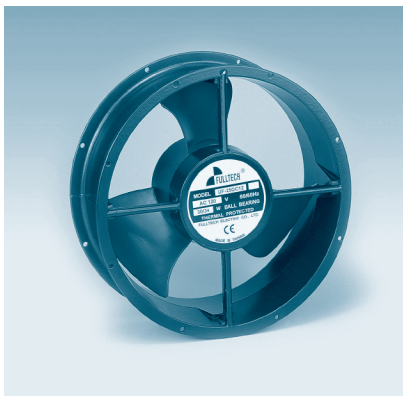


# UF25G(C) Series

Size :  $\varnothing 254 \times 89$   
Unit : mm



**Thermally-Protected**

**Terminal or Lead Wire Type**



Spec. Model	Rated Voltage V	Frequency Hz	Input Power W	Rated Current A	Locked Current A	Speed RPM	Maximum Air Flow m <sup>3</sup> /min.	Maximum Air Flow CFM	Maximum Pressure mmH <sub>2</sub> O	Maximum Pressure InchH <sub>2</sub> O	Noise dB	Weight kg
UF25GC10-H	100V	50	36	0.45	0.74	1400	13.0	460	8.0	0.32	52	1.9
		60	36	0.40	0.72	1650	15.5	550	10.0	0.40	55	
UF25GC11-H	115V	50	31	0.30	0.53	1400	13.0	460	8.0	0.32	52	1.9
		60	33	0.29	0.51	1650	15.5	550	10.0	0.40	55	
UF25GC20-H	200V	50	36	0.22	0.35	1400	13.0	460	8.0	0.32	52	1.9
		60	36	0.19	0.34	1650	15.5	550	10.0	0.40	55	
UF25GC23-H	230V	50	31	0.14	0.26	1400	13.0	460	8.0	0.32	52	1.9
		60	33	0.14	0.25	1650	15.5	550	10.0	0.40	55	