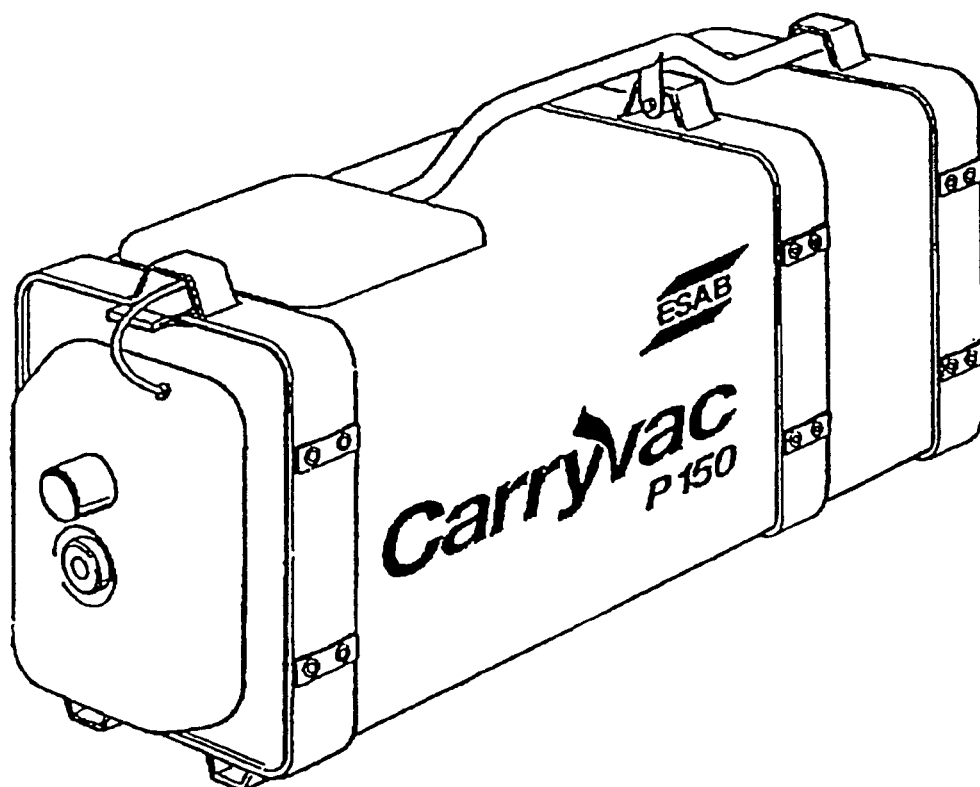


Carryvac

P 150 AST

P 150

ESAB



Teknisk specifikation
Technical specifications

LIST OF CONTENTS

Page

Summary P 150 AST	3
Operating instructions P 150 AST	5
Summary P 150	6
Operating instructions P 150	7
To empty the coarse separator P 150 AST	8
To change filter on model P 150 AST AND P 150	9
Fault-finding check list P 150 AST AND P 150	11
To change carbon brushes on model P 150 AST AND P 150	12
Technical data P 150 AST	13
Technical data P 150	14
Spare parts list P 150 AST	15-16
Spare parts list P 150	17-18
Wiring diagram P 150 AST	19
Wiring diagram P 150	20

ÖVERSIKT P 150 AST/SUMMARY P 150 AST

1. Bärhandtag/handle.
2. Grovavskiljare/Coarse separator.
3. 3-läges strömbrytare (man. - 0 - auto)/
Switch with 3 positions (manual - on/off - automatic).
4. Indikator for position "Auto".
5. Indikator for position "Filter full".
6. Holder for welding or welding return cable.
7. Exhaust.
8. Filter indicator hose.
9. Sensor for automatic.

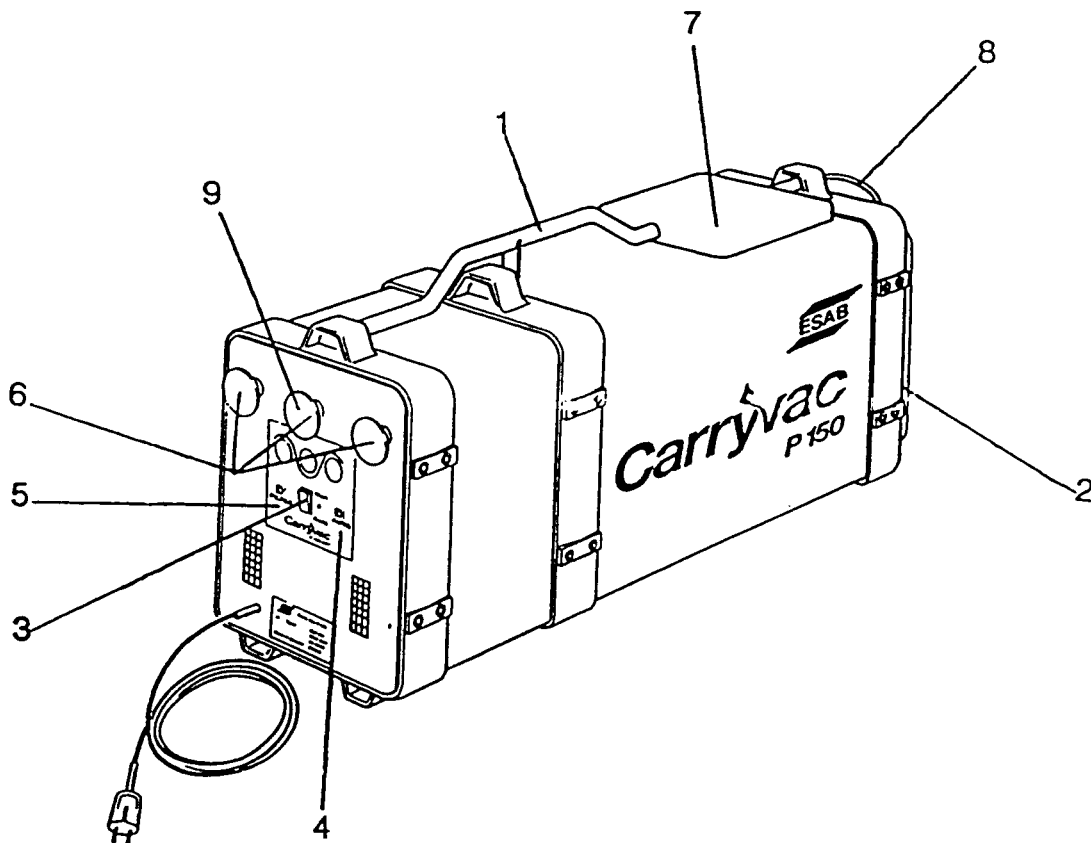


Bild 1/Picture 1

OPERATING INSTRUCTIONS P 150 AST

CARRYVAC P 150 AST welding fume eliminator has two operating modes, either manual or automatic.

Manual mode:

Switch (3), picture 1 on page 3, to "Man" position. The unit will now function continuously.

Automatic mode:

Switch (3), picture 1 on page 3, to "Auto" position. Place the welding cable, or welding return cable in the cable holder, see picture 2. The unit will now function when the welding arc is struck and cease operation when the arc is broken.

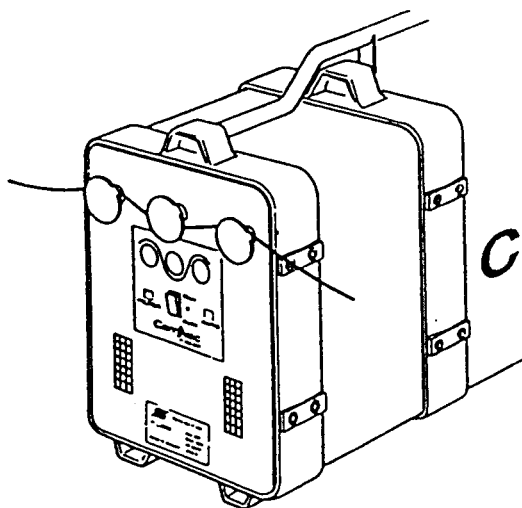
If welding at a low current, it might be necessary to loop the cable several times through the holder with the sensor, see picture 3.

For certain types of welding, for example TIG, the electronics may have some difficulty in registering the welding current through the cable holder.

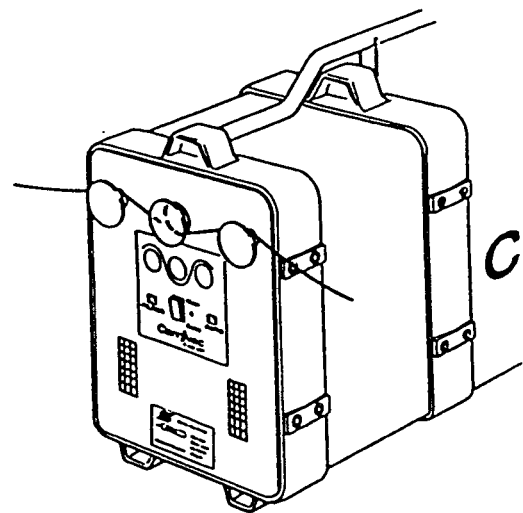
Indicator light:

"Auto" (4), picture 1 on page 3, indicates that the current supply to the electronics is operative.

"Filter" (5), picture 1 on page 3, indicates that the filter is full with welding fume particulate, and requires changing as soon as possible to ensure maximum suction effectiveness.



Picture 2



Picture 3

ÖVERSIKT P 150/SUMMARY P 150

1. Bärhandtag/Handle.
2. Grovavskiljare/Coarse separator.
3. Strömbrytare/Switch.
4. Indikering för fullt filter/Indicator for "Filter full".
5. Utblås/Exhaust.
6. Slang för filterindikering/Filter indicator hose.

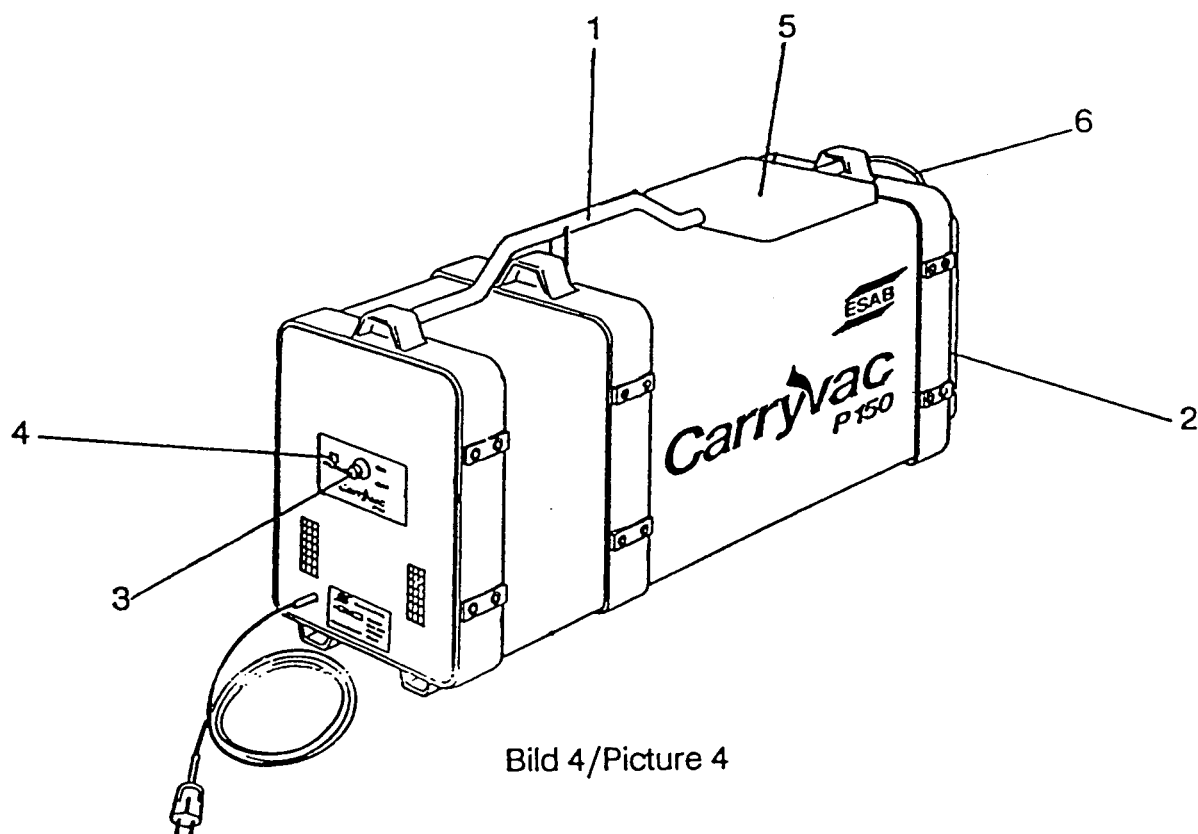


Bild 4/Picture 4

OPERATING INSTRUCTIONS

CARRYVAC P 150 welding fume eliminator has one operating mode, manual. The operation is started and stopped by the switch (3), picture 4 on page 6.

Indicator lights:

"Filter" (4), picture 4 on page 6, indicates that the filter is full with welding fume particulate and requires changing as soon as possible to ensure maximum suction effectiveness.

TO EMPTY THE COARSE SEPARATOR MODEL P 150 AST AND P 150

The coarse separator usually needs to be emptied only when the filter is changed, but heavy use of some types of electrodes may call for more frequent emptying.

How to do it:

See picture 5.

Switch off the fume eliminator, remove the suction hose (1) and the indicator hose (2) from the coarse separator. Lift the lock handle (3) to release the coarse separator (4). Unscrew locking screw (5), remove the cover from the gable for emptying.

N.B.! Check rubber seal around the cover for any signs of damage before re-assembly to ensure maximum suction efficiency.

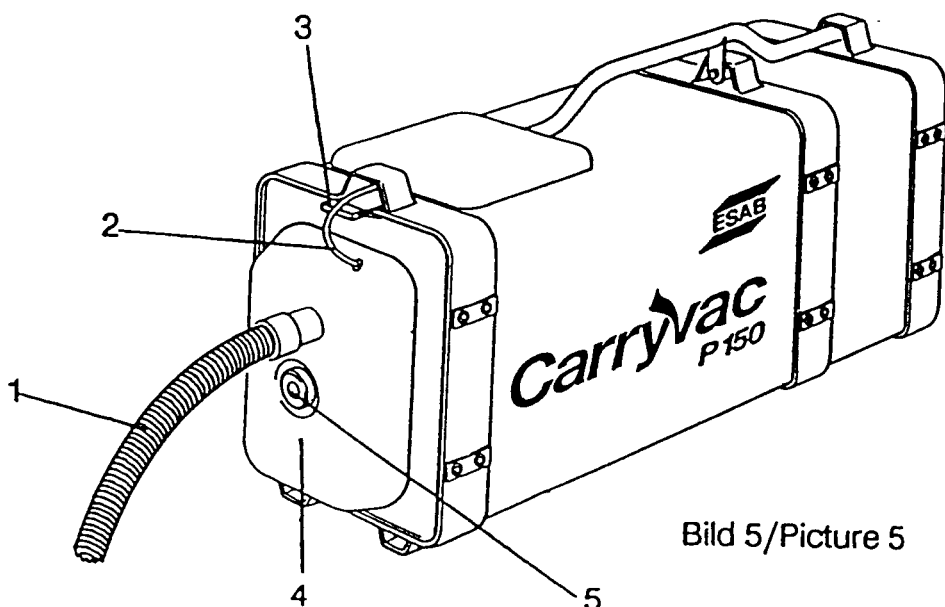


Bild 5/Picture 5

TO CHANGE FILTER ON MODEL P 150 AST AND P 150

A new filter needs to be fitted when the suction becomes inadequate, or the indicator lamp is showing "Filter".

How to do it:

1. Switch off the unit.
2. Remove the filter indicator hose and the suction hose, picture 5 on page 8.
3. Lift the lock handle and remove the coarse separator, picture 5 on page 8.
4. Pull out and dispose the old filter, picture 6.
5. Insert a new filter.
6. Empty the coarse separator, picture 5 on page 8.

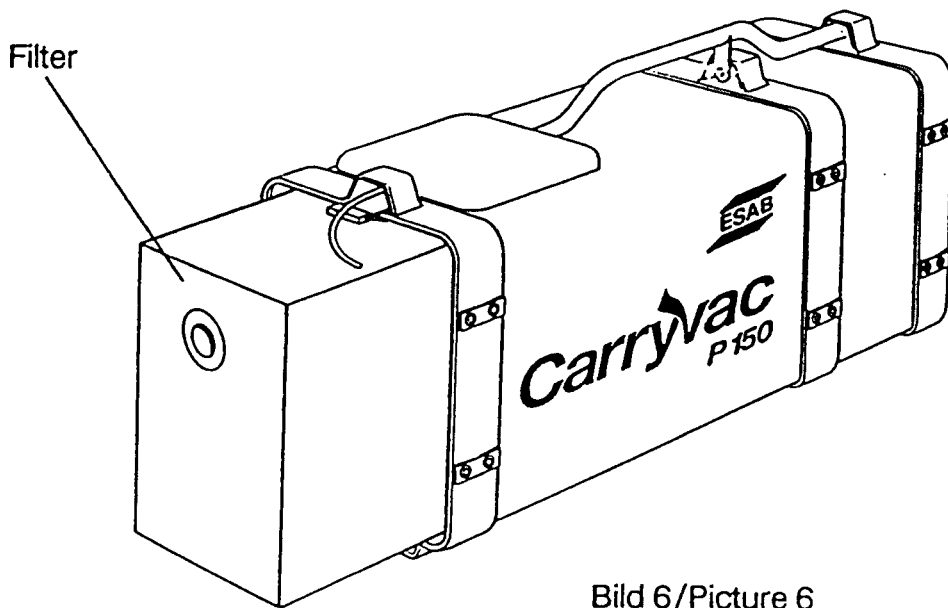


Bild 6/Picture 6

FAULT-FINDING CHECK LIST

N.B.! Remove plug from electricity supply before carrying out any work (on electricity unit). Furthermore, all operation should be carried out by a qualified electrician.

Fault:

Poor suction.

Check:

- hose and connections are tight
- the control lamp "Filter" does not light
- the hose is not blocked

Fault:

Motor failure.

Check:

- current is reaching the unit
- the carbon brushes

Fault:

The unit does not start in position "Auto" (P 150 AST).

Check:

- the welding cable is fitted in the cable holder
- the control lamp for "Auto" lights
- put the cable through the cable holder twice, see picture 3 on page 5.

If the fault remains:

- contact your supplier.

TO CHANGE CARBON BRUSHES P 150 AST AND P 150

N.B.! Remove plug from electricity supply before carrying out any work (on electricity unit). Furthermore, all operation should be carried out by a qualified electrician.

How to do it:

See picture 7.

Remove the cooling air gable by loosening 4 screws in the frame. Remove the pressure guard hoses for the filter indication. Remove the cables. N.B.!

Care should be taken when re-fitting the cables and hoses. The carbon brushes are now available for changing. Instructions for fitting are included with every brush set. If necessary contact your supplier.

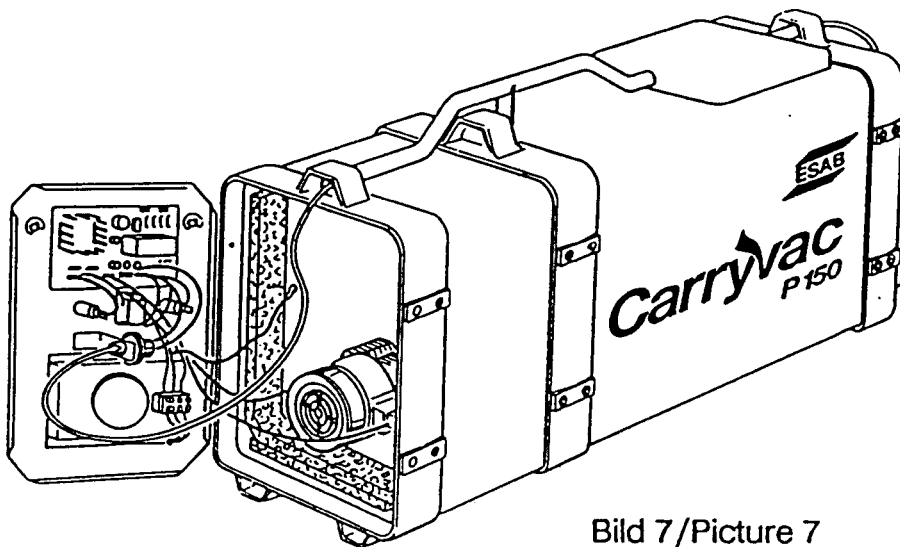


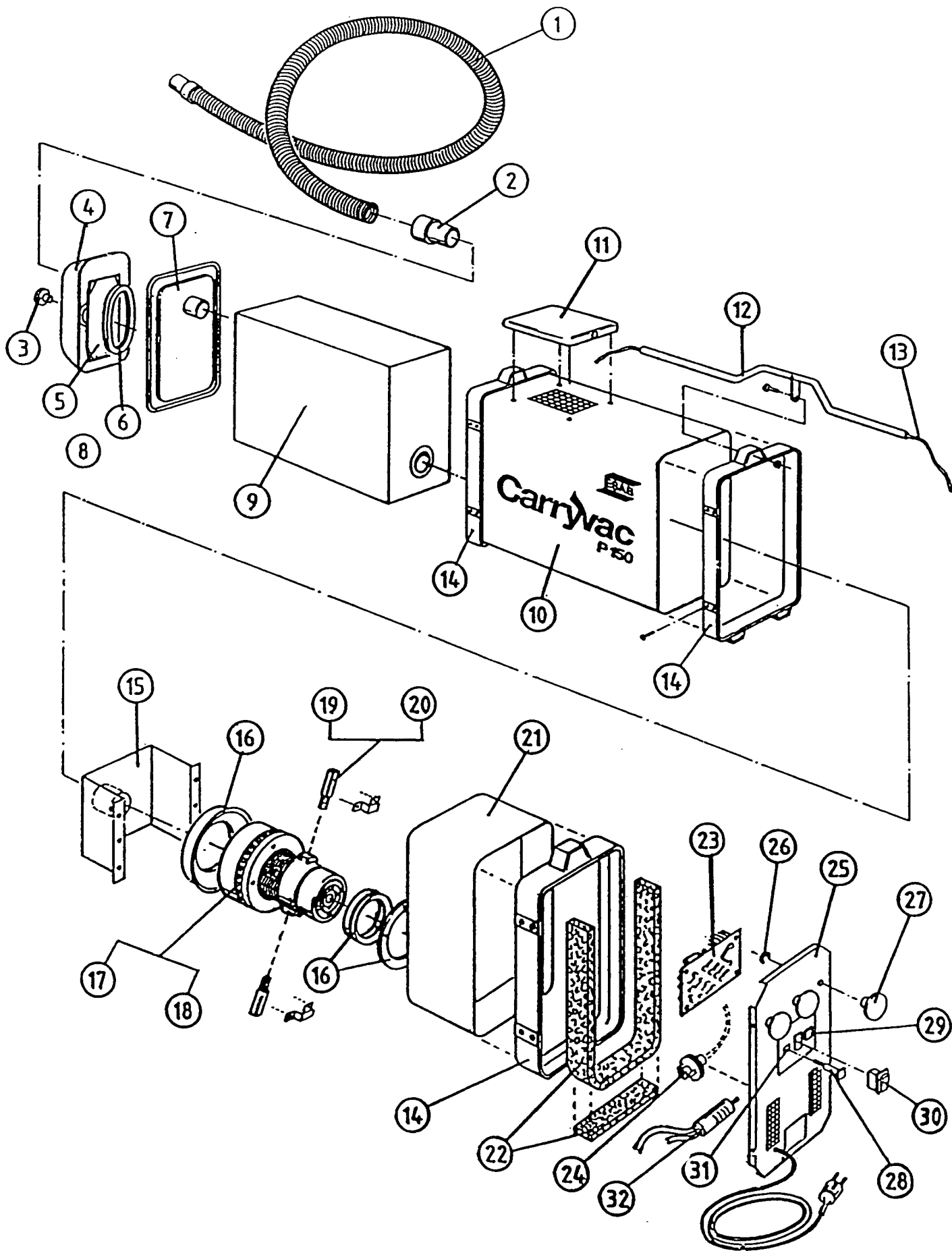
Bild 7/Picture 7

TECHNICAL DATA P 150

Lenth	860 mm
Width	226 mm
Height	425 mm
Weight inclusive filter	16 kg
Voltage	220 V
(also available for 110 V)	
Efficiency	1000 W
Max. vacuum	2170 mm wg
Air flow unit with	
3.0 m hose 45 mm dia.	150 m ³ /h
Noise level	75 dB(A)
Hose standard	3.0 m, 45 mm dia.
Active filter surface	5.3 m ²
Separation degree	99.7 %

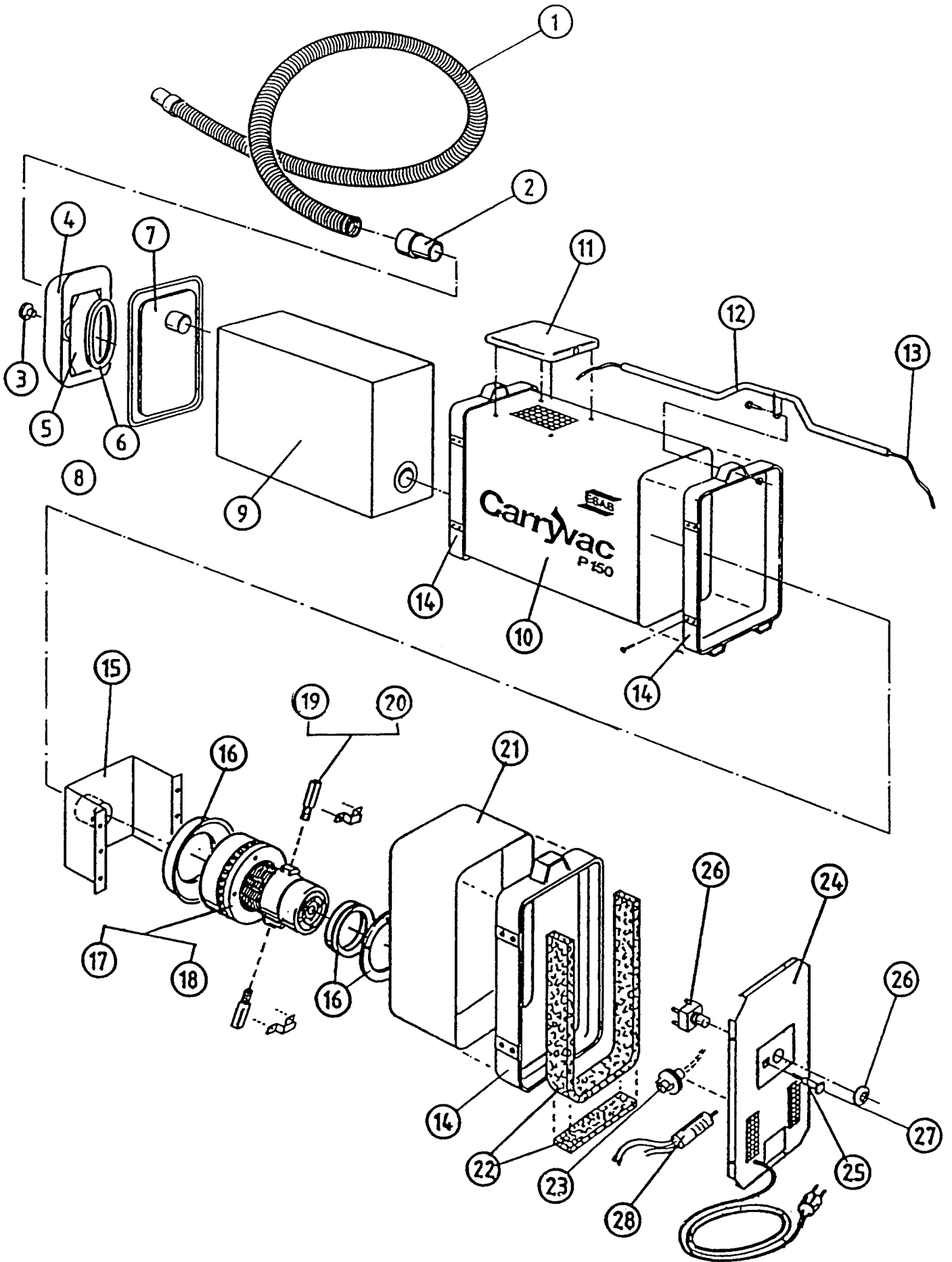
TECHNICAL DATA P 150 AST

Lenth	860 mm
Width	226 mm
Height	425 mm
Weight inclusive filter	16 kg
Voltage	220 V
(also available for 110 V)	
Efficiency	1000 W
Max. vacuum	2170 mm wg
Air flow unit with	
3.0 m hose 45 mm dia.	150 m ³ /h
Noise level	75 dB(A)
Hose standard	3.0 m, 45 mm dia.
Active filter surface	5.3 m ²
Separation degree	99.7 %



RESERVDELSLISTA/SPARE PARTS LIST CARRYVAC P 150 AST

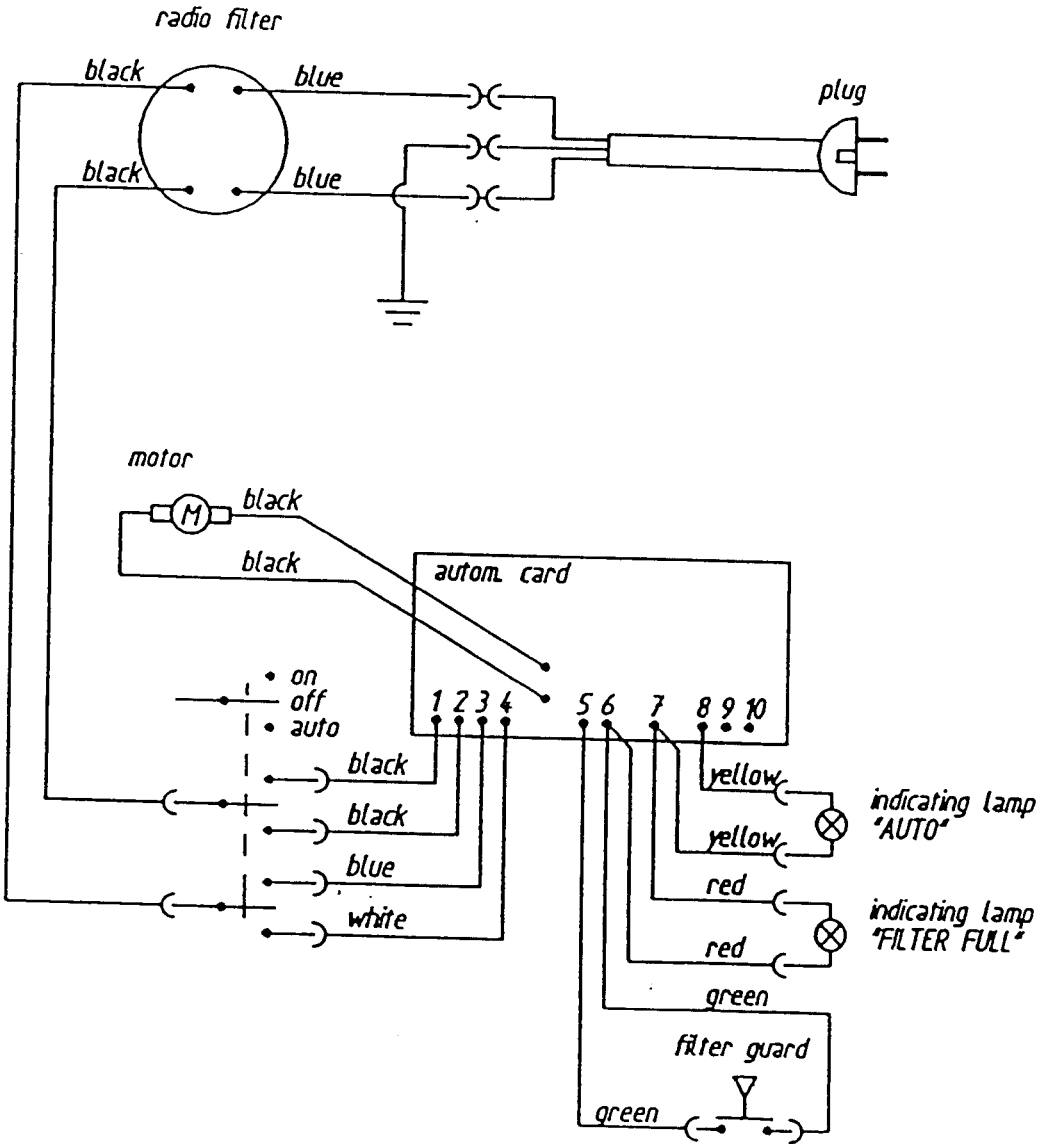
Pos	Art No	Designation
1	154352015	Flexible hose 1.6 m 45 mm dia.
1	154352008	Flexible hose 3.5 m 45 mm dia.
1	154352006	Flexible hose 5.0 m 45 mm dia.
1	154352002	Flexible hose 15.0 m 45 mm dia.
2	468455004	Hose connection
3	468455010	Knob for coarse separator
4	468455011	Cover for coarse separator
5	468455012	Cover plate for metal filter (accessory)
6	468455002	Metal filter (accessory)
7	468455013	Inner gable for coarse separator
8	846455014	Coarse separator complete (Pos 3, 4, 7)
9	468455001	Filter
10	468455015	Filter cover
11	468455016	Top cover
12	468455017	Handle
13	468455018	Hose for filter indicator
14	468455019	Plastic frame
15	468455036	Motor gable
16	468455020	Packing set (3 pcs)
17	468455021	Motor 220 V
18	468455022	Motor 110 V
19	468455023	Carbon brushes 220 V
20	468455038	Carbon brushes 110 V
21	468455024	Motor cover
22	468455025	Sound proofing
23	468455026	PC-Board AST
24	468455027	Pressure guard
25	468455028	Cooling air gable
26	468455029	Locking washer
27	468455030	Cable holder
28	468455031	Indicator lamp "Auto" and "Filter"
29	468455032	Lens "Auto"
30	468455033	Switch
31	468455034	Lens "Filter"
32	468455035	Radio filter (for certain countries only)



RESERVDLSLISTA/SPARE PARTS LIST CARRYVAC P 150

Pos	Art No	Designation
1	154352015	Flexible hose 1.6 m 45 mm dia.
1	154352008	Flexible hose 3.5 m 45 mm dia.
1	154352006	Flexible hose 5.0 m 45 mm dia.
1	154352002	Flexible hose 15.0 m 45 mm dia.
2	468455004	Hose connection
3	468455010	Knob for coarse separator
4	028500800	Cover for coarse separator
5	468455012	Cover plate for metal filter (accessory)
6	468455002	Metal filter (accessory)
7	468455013	Inner gable for coarse separator
8	468455014	Coarse separator complete (Pos 3, 4, 7)
9	468455001	Filter
10	468455015	Filter cover
11	468455016	Top cover
12	468455017	Handle
13	468455018	Hose for filter indicator
14	468455019	Plastic frame
15	468455036	Motor gable
16	468455020	Packing set (3 pcs)
17	468455021	Motor 220 V
18	468455022	Motor 110 V
19	468455023	Carbon brushes 220 V
20	468455038	Carbon brushes 110 V
21	468455024	Motor cover
22	468455025	Sound proofing
23	468455027	Pressure guard
24	468455039	Cooling air gable
25	468455031	Indicator lamp "Filter"
26	468455037	Switch
27	468455034	Lens "Filter"
28	468455035	Radio filter (for certain countries only)

ELSCHEMA CARRYVAC P 150 AST/WIRING DIAGRAM CARRYVAC P 150 AST



ELSCHEMA CARRYVAC P 150/WIRING DIAGRAM CARRYVAC P 150

