

ASSEMBLY PAGE NAME			Machine Assembly						
CODE NO.:	K NO.:	FIGURE NO.:	A-B-C						
50134	K14053-1	SPEEDTEC 400S	1						
50135	K14052-1	SPEEDTEC 500S	2						

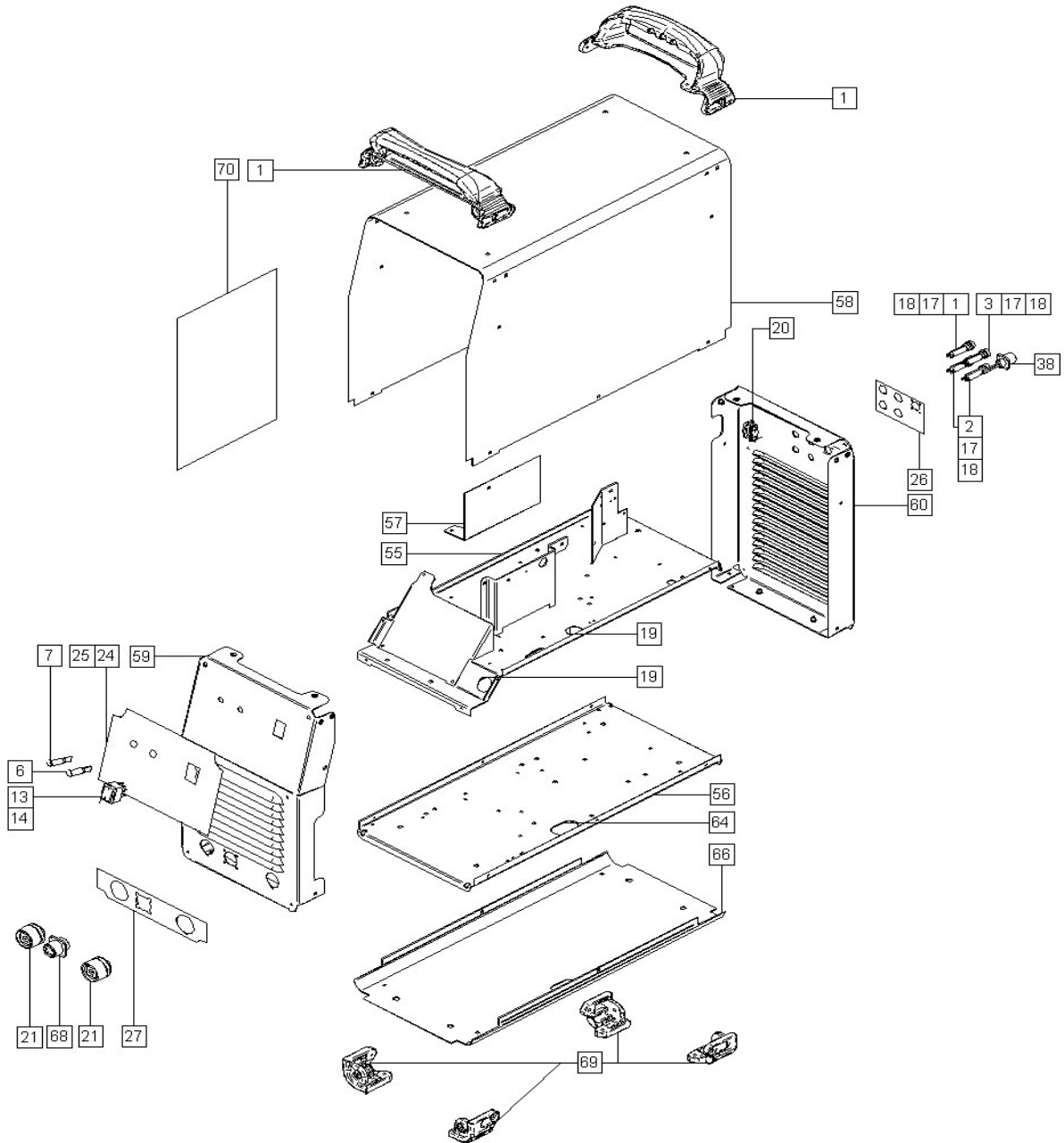


Figure A

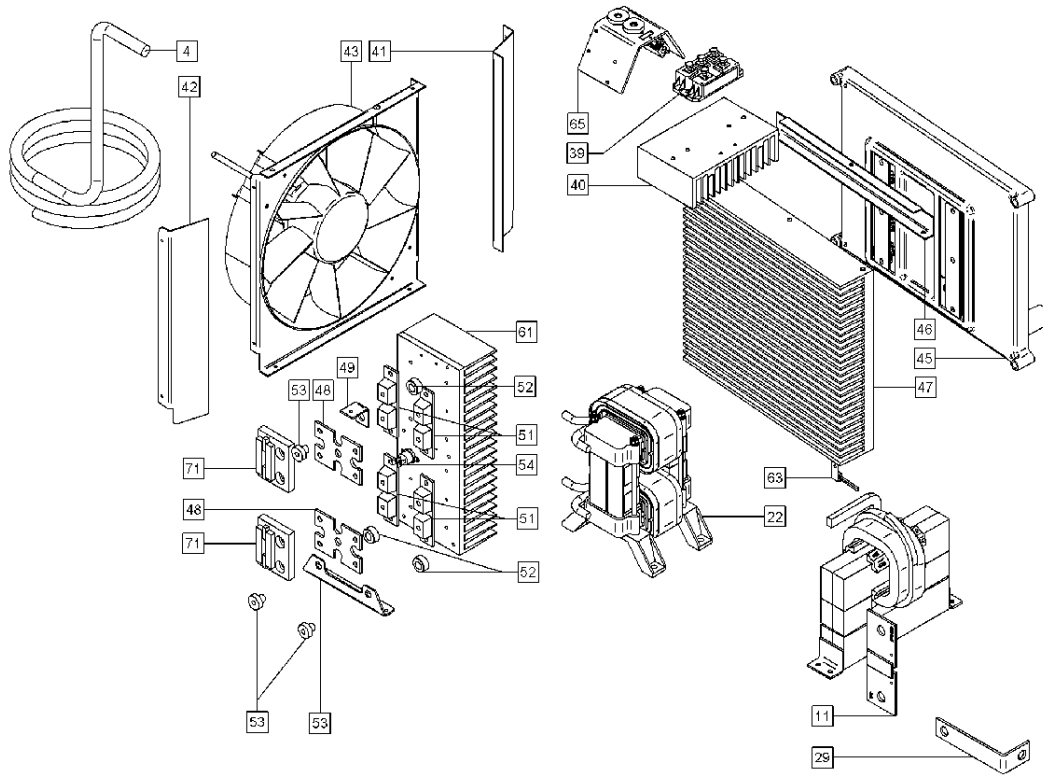


Figure B

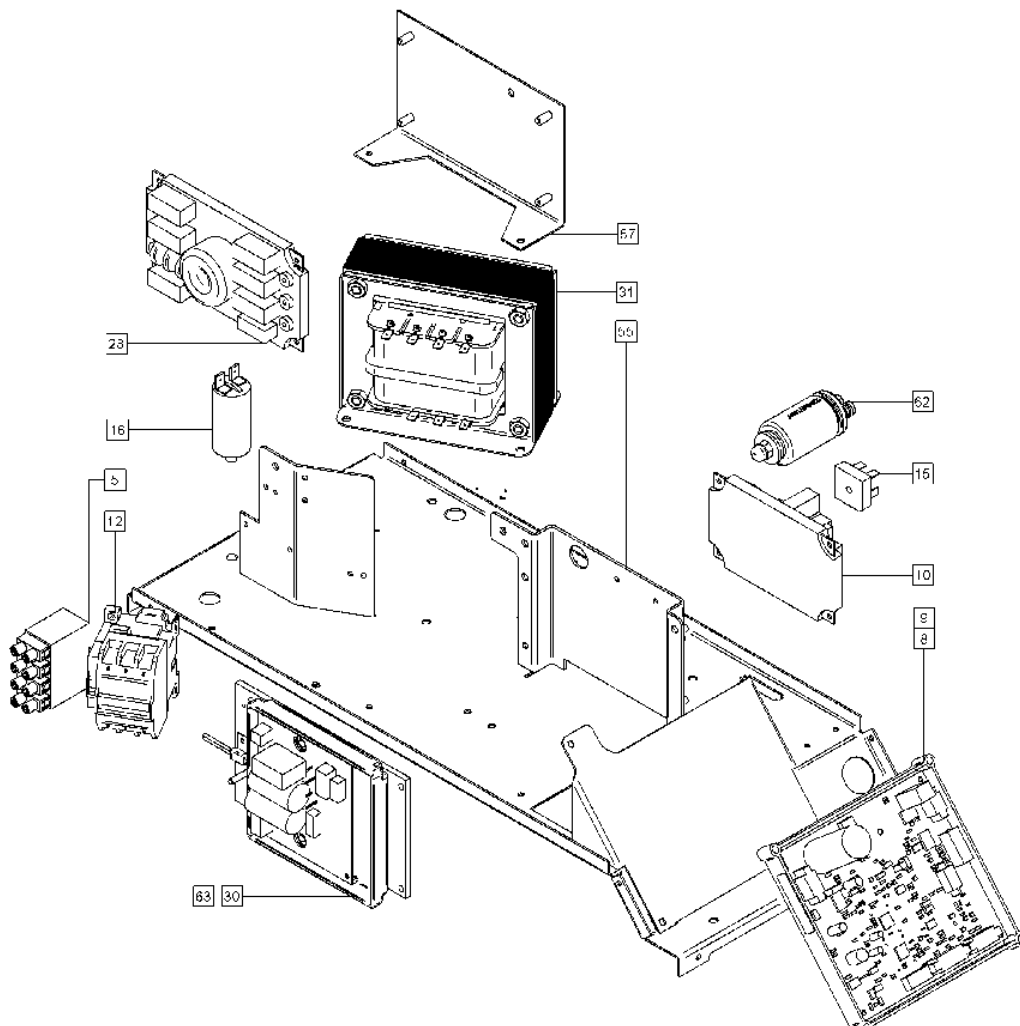


Figure C

Figure A-B-C: Machine Assembly

Item	Description	Part Number	QTY	1	2	3
1	FUSE F4 (6,3A/400V)	1158-660-008R	1	X	X	
2	FUSE F1, F2 (2A/400V)	1158-660-010R	2	X	X	
3	FUSE F3 (12,5A/400V)	1158-660-012R	1	X	X	
4	MAINS CORD WITHOUT PLUG -5m (4x4mm ²)	R-5041-024-1R	1	X	X	
5	LINE FILTER LF	0874-400-011R	1	X	X	
6	LED LAMP V5	0917-421-009R	1	X	X	
7	LED LAMP V4	0917-421-043R	1	X	X	
8	CONTROL PC BOARD (PROGRAMMED)	R-8040-027-2R	1	●	X	
9	CONTROL PC BOARD (PROGRAMMED)	R-8040-027-3R	1	X	●	
10	OUTPUT FILTER AND RELAYS PC BOARD UFD-14	0918-431-106R	1	X	X	
11	SHUNT R1	0941-712-030R	1	X	X	
12	CONTACTOR K1	1115-212-210R	1	X	X	
13	MAINS SWITCH S1	1115-270-005R	1	X	X	
14	MAINS SWITCH GUARD	1115-229-073R	1	X	X	
15	RECTIFIER BRIDGE V3	1156-112-100R	2	X	X	
16	CAPACITOR C1	1158-121-045R	1	X	X	
17	FUSE BASE	1158-632-032R	4	X	X	
18	FUSE CAP	1158-632-033R	4	X	X	
19	RUBBER GROMMET	1361-599-198R	2	X	X	
20	MAINS CABLE CLAMP	1361-599-674R	1	X	X	
21	WELDING SOCKET X1, X2	C-2986-001-3R	2	X	X	
22	MAIN TRANSFORMER T1	G5883-1R	1	X	X	
23	CHOKE L1	L13166R	1	X	X	
24	LABEL (FRONT)	R-0010-224-1R	1	●	X	
25	LABEL (FRONT)	R-0010-224-2R	1	X	●	
26	LABEL (REAR)	R-0010-225-1R	1	X	X	
27	LABEL (WELDING SOCKETS)	R-0010-226-1R	1	X	X	
28	EMC FILTER PC BOARD UFS-1	0918-432-105R	1	X	X	
29	CONDUCTOR RAIL	R-1012-355-1R	1	X	X	
30	40VDC BUS PC BOARD	L11832-2R	1	X	X	
31	AUXILIARY TRANSFORMER T2	R-4034-087-1R	1	X	X	
32	SECONDARY CIRCUIT HARNESS A (NON SHOWN)	R-5041-132-1R	1	X	X	
33	SECONDARY CIRCUIT HARNESS B (NON SHOWN)	R-5041-133-1R	1	X	X	
34	SECONDARY CIRCUIT HARNESS C (NON SHOWN)	R-5041-134-1R	1	X	X	
35	SECONDARY CIRCUIT HARNESS D (NON SHOWN)	R-5041-135-1R	1	X	X	
36	WATER COOLER HARNESS (NON SHOWN)	R-5041-136-1R	1	X	X	
37	PRIMARY CIRCUIT HARNESS A (NON SHOWN)	R-5041-137-1R	1	X	X	
38	GAS HEATER HARNESS	R-5041-141-1R	1	X	X	
39	INPUT RECTIFIER V1	M15454-14R	1	X	X	
40	INPUT RECTIFIER V1	M20787-1R	1	X	X	
41	FAN COVER	R-1019-165-1/08R	1	X	X	
42	FAN COVER	R-1019-166-1/08R	1	X	X	
43	FAN DIVIDER	R-3019-149-1/08R	1	X	X	
44	FAN	R-8040-233-1R	1	X	X	
45	SWITCH BOARD	G6629-1R	1	X	X	
46	BRACKET	R-1019-174-1/08R	1	X	X	
47	SWITCH BOARD HEATSINK	M16733-2R	1	X	X	
48	RECONNECT PANEL LINK	R-1010-034-1R	2	X	X	

49	BRACKET	R-1019-172-1/08R	1	X	X	
50	BRACKET	R-1019-173-1/08R	1	X	X	
51	OUTPUT DIODE V2	S25520-3R	4	X	X	
52	SPACER	S26178-1R	3	X	X	
53	SPACER	S26178-2R	3	X	X	
54	THERMAL SWITCH γ 1	T13359-28R	1	X	X	
55	SHELF	R-3016-016-1/08R	1	X	X	
56	BASE	R-3016-017-1/08R	1	X	X	
57	BRACKET	R-3019-173-1/08R	1	X	X	
58	COVER	R-1019-228-1R	1	X	X	
59	FRONT PANEL	R-3019-176-1/08R	1	X	X	
60	REAR PANEL	R-3019-177-1/08R	1	X	X	
61	OUTPUT RECTIFIER HEATSINK	M19349-3R	1	X	X	
62	ELECTROLITIC CAPACITOR	1158-125-329R	1	X	X	
63	THERMAL SWITCH γ 2, γ 4	1115-769-133R	2	X	X	
64	RUBBER GROMMET	1361-599-131R	1	X	X	
65	SNUBBER NETWORK ASSEMBLY	R-8040-250-1R	1	X	X	
66	BASE COVER	R-1019-191-1R	1	X	X	
67	HANDLE	R-0010-292-1R	2	X	X	
68	SOCKET X3	1158-641-051R	1	X	X	
69	RUBBER CORNER	W95X1147R	4	X	X	
70	LABEL (SCHEMATIC)	R-0010-310-1R	1	X	X	
71	PC BOARD OP-19	0918-432-107R	2	X	X	
72	LABEL (FRONT)	R-0010-224-2R	1	X	•	