

**BESTCUT 2000 Compressor**

|           |                         |                     |  |  |  |  |  |
|-----------|-------------------------|---------------------|--|--|--|--|--|
| ASSEMBLY  |                         | Machine<br>Assembly |  |  |  |  |  |
| PAGE NAME |                         |                     |  |  |  |  |  |
| CODE NO.: | FIGURE NO.:             | A                   |  |  |  |  |  |
| 52090     | BESTCUT 2000 Compressor | 1                   |  |  |  |  |  |
|           |                         |                     |  |  |  |  |  |

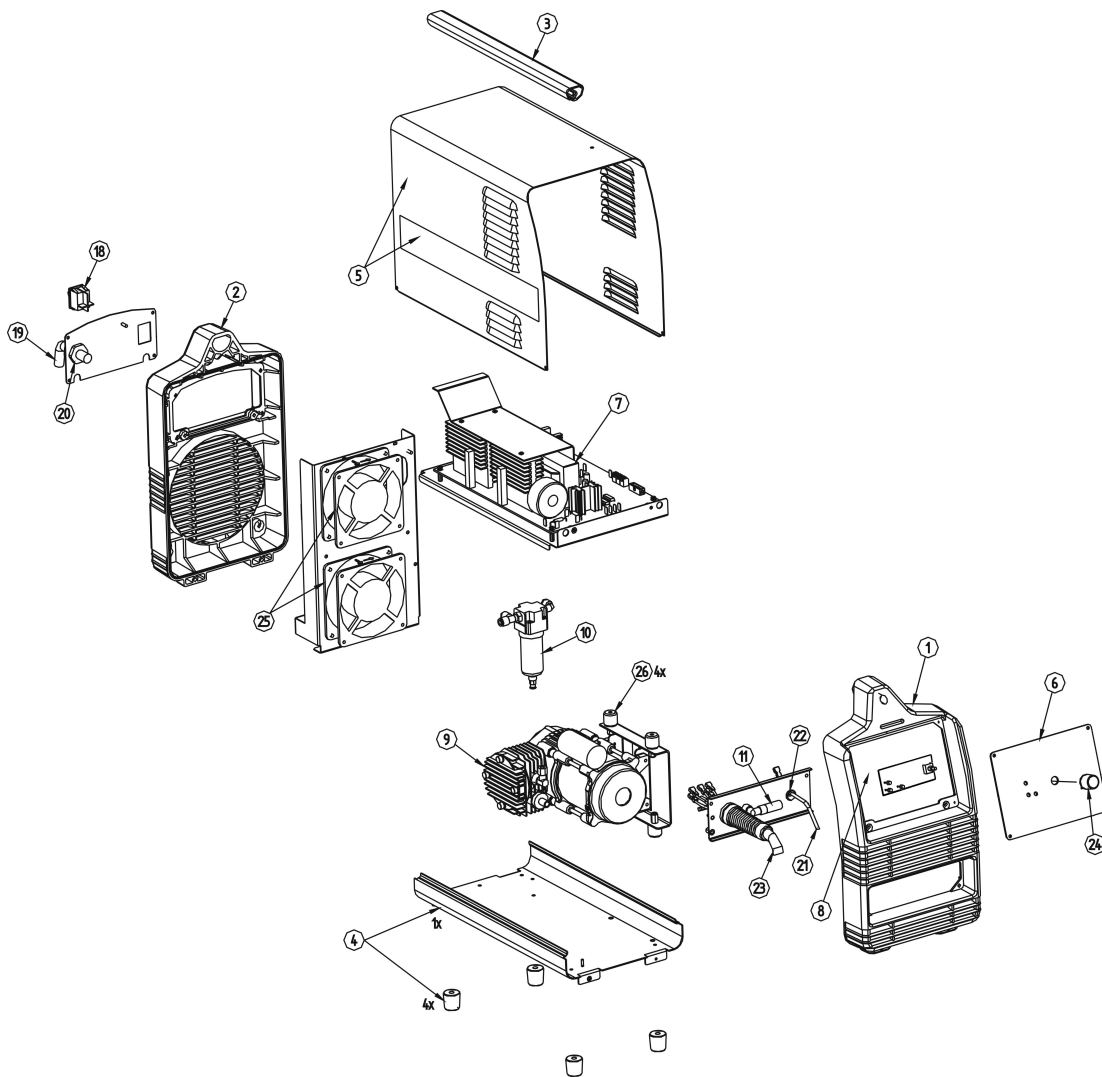


Figure A

**Figure A: Machine Assembly**

| Item | Description                        | Part Number     | QTY | 1 |  |  |  |
|------|------------------------------------|-----------------|-----|---|--|--|--|
| 1    | FRONT PANEL                        | W95X0331R       | 1   | X |  |  |  |
| 2    | REAR PANEL                         | W95X0332R       | 1   | X |  |  |  |
| 3    | HANDLE                             | W92X0228-2R     | 1   | X |  |  |  |
| 4    | BASE<br>+ ANTI-SLIP FOOT           | W93X0977R       | 1   | X |  |  |  |
|      |                                    | W8400045R       | 4   | X |  |  |  |
| 5    | WRAPAROUND<br>+ SIDE NAMEPLATES    | W93X0980R       | 1   | X |  |  |  |
|      |                                    | W07X1102R       | 2   | X |  |  |  |
| 6    | CONTROL PANEL<br>+ FRONT NAMEPLATE | W93X0986-1R     | 1   | X |  |  |  |
|      |                                    | W07X1119R       | 1   | X |  |  |  |
| 7    | INVERTER P.C. BOARD                | W05X0990R       | 1   | X |  |  |  |
| 8    | CONTROL P.C. BOARD                 | W05X0991R       | 1   | X |  |  |  |
| 9    | COMPRESSOR 50Hz                    | W88X1010-1R     | 1   | X |  |  |  |
| 10   | AIR FILTER (COMPRESSOR AIR OUT)    | W8800200R       | 1   | X |  |  |  |
| 11   | AIR FILTER (COMPRESSOR AIR IN)     | W8800206R       | 1   | X |  |  |  |
| 18   | SWITCH (POWER)                     | W7516224R       | 1   | X |  |  |  |
| 19   | INPUT CORD                         | W78X0930R       | 1   | X |  |  |  |
| 20   | CABLE CLAMP (INPUT CORD)           | W8400006R       | 1   | X |  |  |  |
| 21   | WORKPIECE CABLE                    | GRD-060A-06-3MR | 1   | X |  |  |  |
| 22   | CABLE CLAMP (WORKPIECE CABLE)      | W8400005R       | 1   | X |  |  |  |
| 23   | PLASMA TORCH                       | → see LC25 page | 1   | X |  |  |  |
| 24   | KNOB                               | W8780521R       | 1   | X |  |  |  |
| 25   | FAN                                | W7200004R       | 2   | X |  |  |  |
| 26   | VIBRATIONS MOUNT                   | W8400046R       | 4   | X |  |  |  |