

Lincoln Electric Europe

**LINCOLN**<sup>®</sup>  
**ELECTRIC**



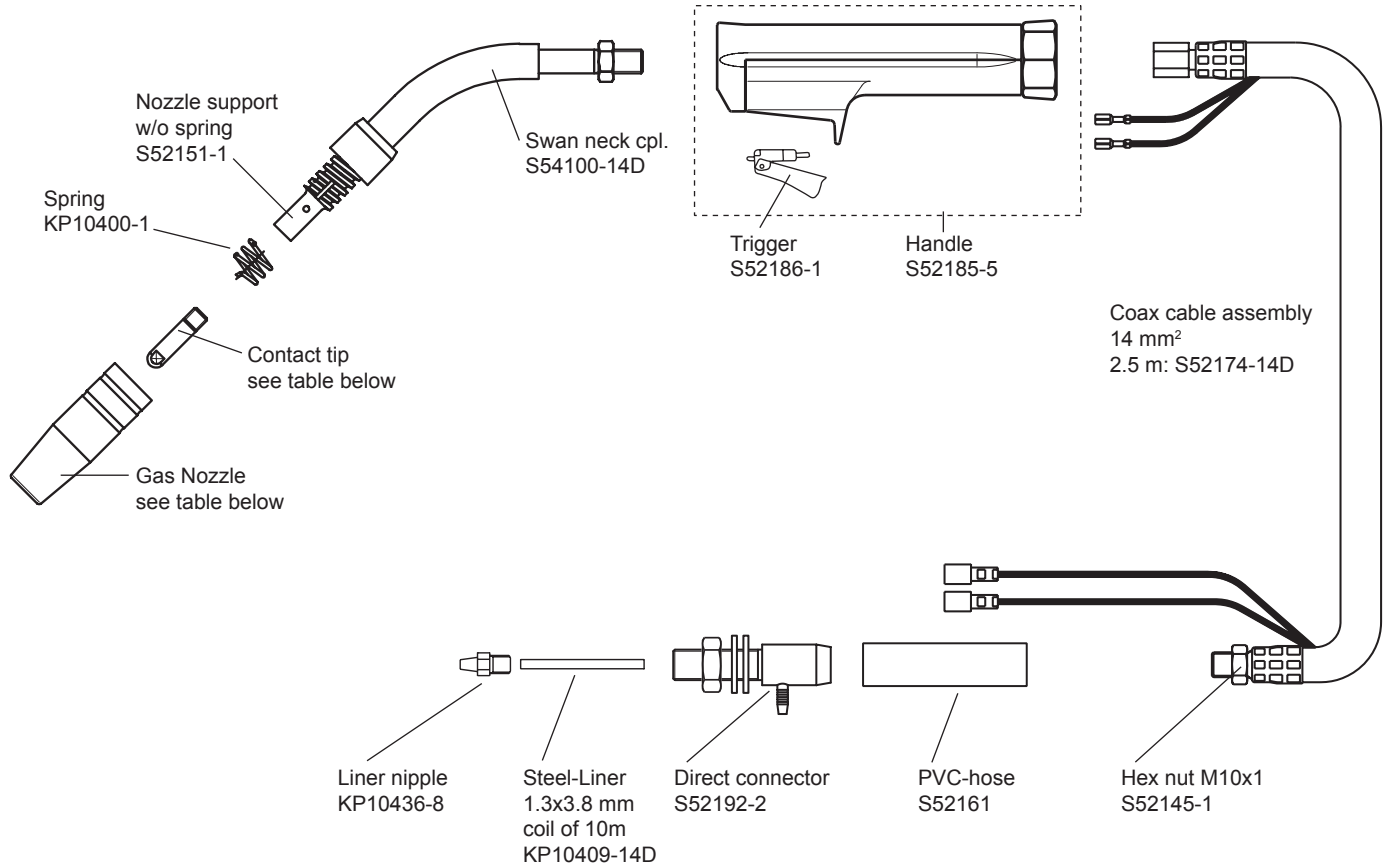
**LG GUNS**

**Wearing parts and Spareparts**



[www.lincolnelectric.eu](http://www.lincolnelectric.eu)

# LG 140 D

	Part No.
LG 140 D - 2.5 m	K10413-14D

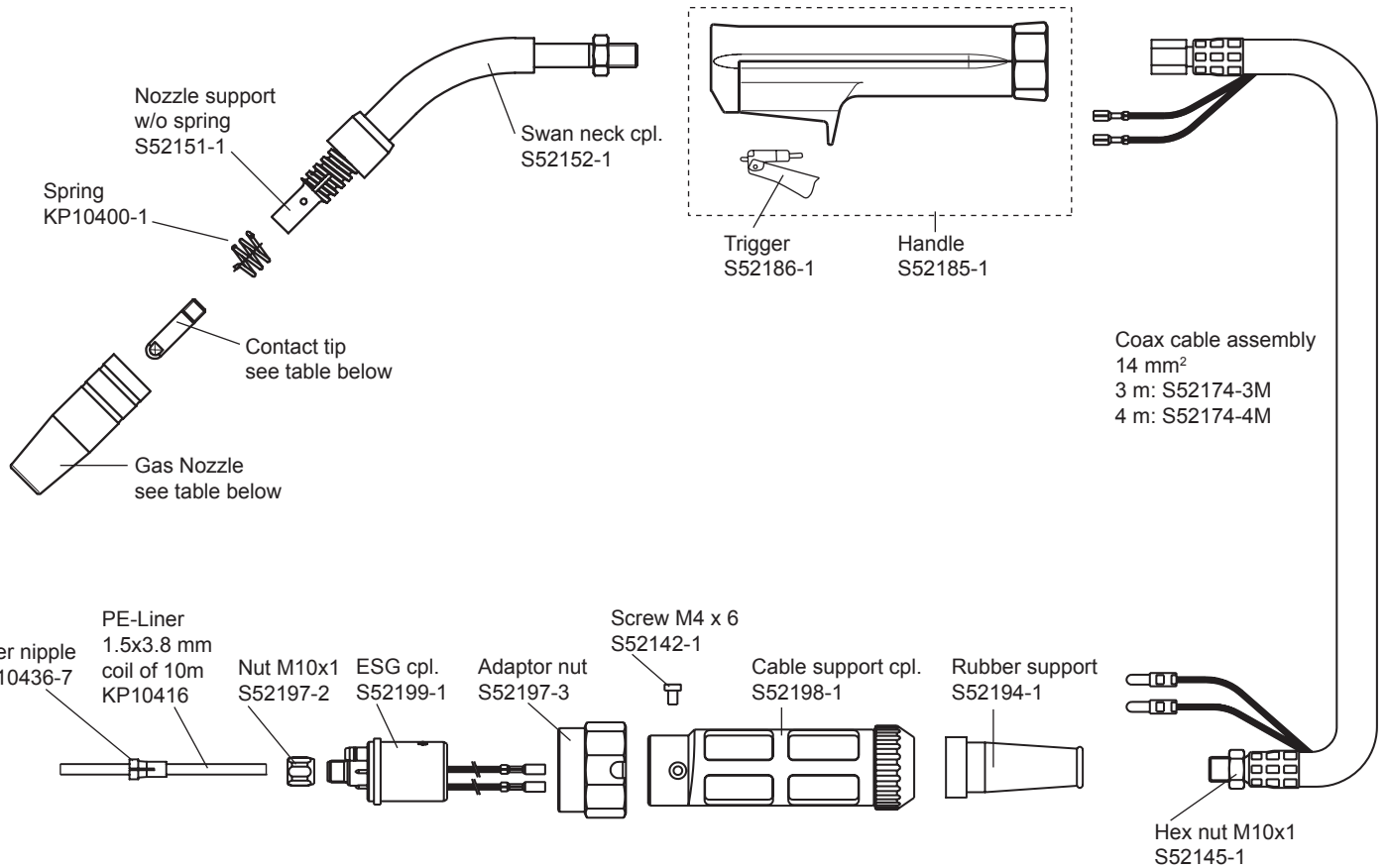


	M6 x 25 mm		
	0.6 mm	0.8 mm	0.9 mm
ECu	KP10440-06	<b>KP10440-08</b>	KP10440-09

	Ø	Part No.
	12 mm	<b>KP10461-1</b>
	6 mm	KP10468

# LG 140 G

	Part No.
LG 140 G - 3.0 m	K10413-14-3M
LG 140 G - 4.0 m	K10413-14-4M

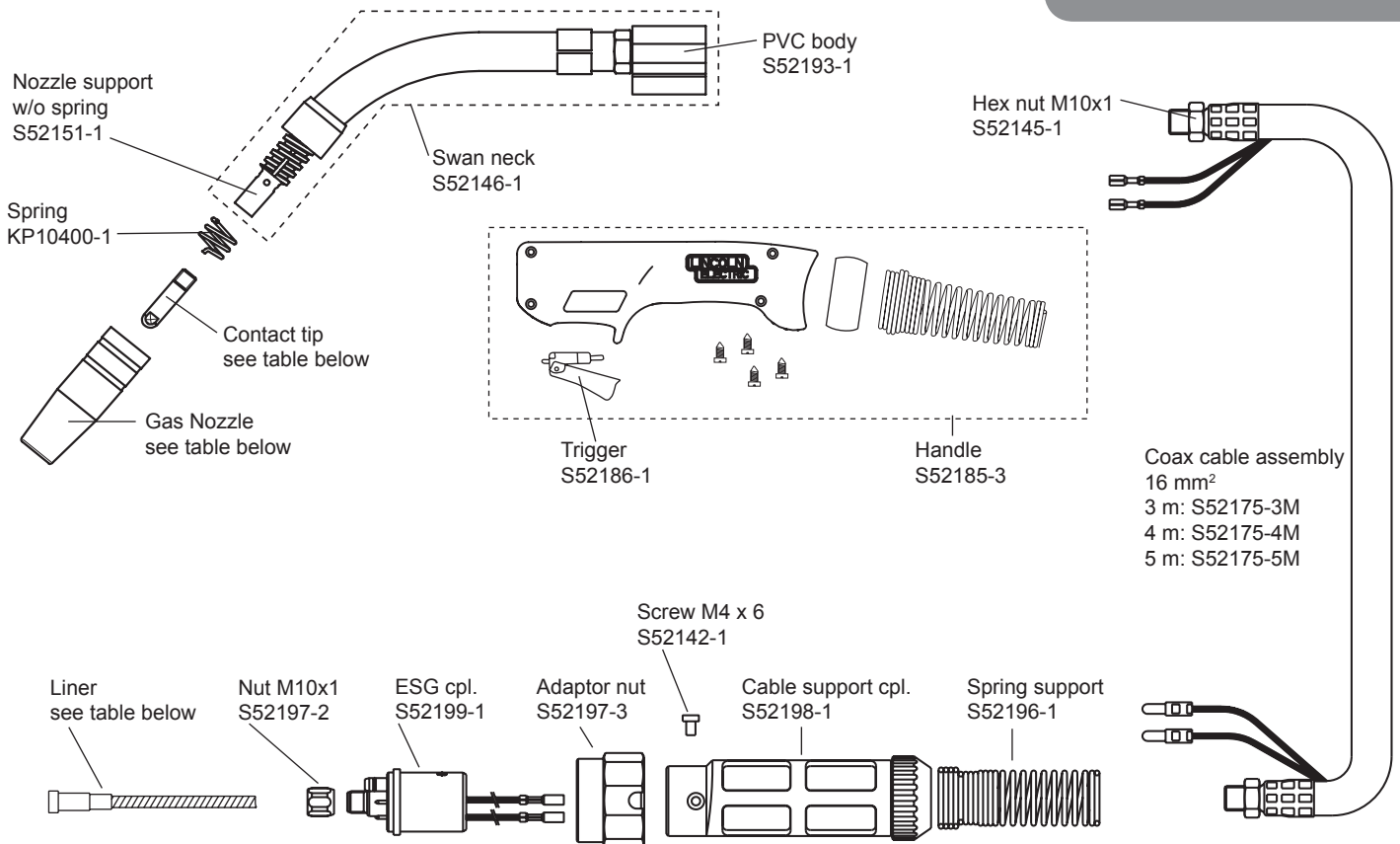


	M6 x 25 mm		
	0.6 mm	0.8 mm	1.0 mm
<b>ECu</b>	KP10440-06	<b>KP10440-08</b>	KP10440-10
<b>CuCrZr</b>		KP10440-08C	KP10440-10C
<b>Al (ECu)</b>		KP10440-08A	KP10440-10A

	Ø	Part No.
	12 mm	<b>KP10461-1</b>
	16 mm	KP10460-1
	9.5 mm	KP10461-6
	13 mm	KP10462-1
	16 mm	KP10463-1

## LG 150 G

	Part No.
LG 150 G - 3.0 m	K10413-15-3M
LG 150 G - 4.0 m	K10413-15-4M
LG 150 G - 5.0 m	K10413-15-5M



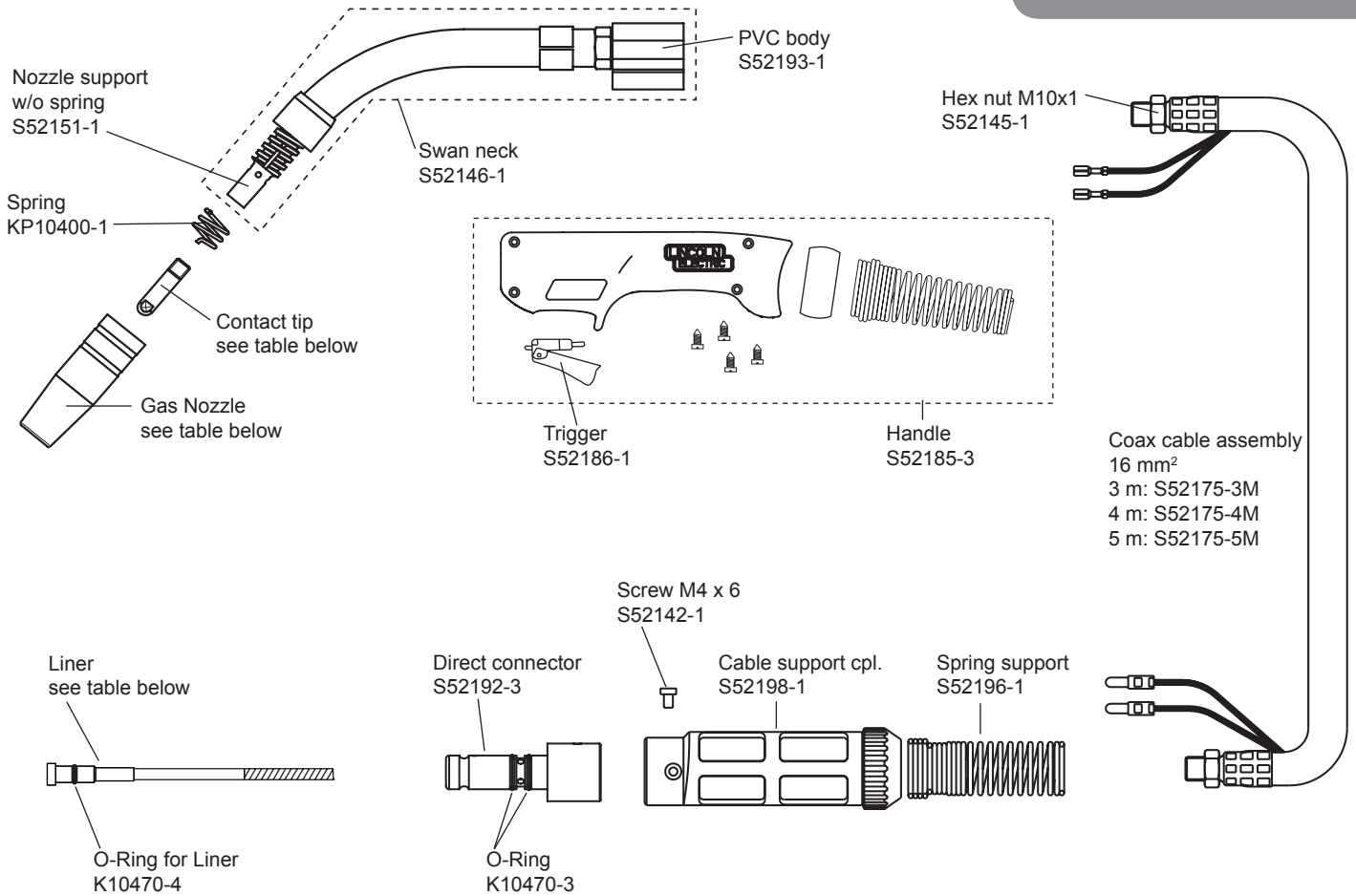
	M6 x 25 mm		
	0.6 mm	0.8 mm	1.0 mm
<b>ECu</b>	KP10440-06	<b>KP10440-08</b>	KP10440-10
<b>CuCrZr</b>		KP10440-08C	KP10440-10C
<b>Al (ECu)</b>		KP10440-08A	KP10440-10A

	Ø	Part No.
	12 mm	<b>KP10461-1</b>
	16 mm	KP10460-1
	9.5 mm	KP10461-6
	13 mm	KP10462-1
	16 mm	KP10463-1

			Ø	X		
				3 m	4 m	5 m
<b>Steel liner</b>	blue	Steel	0.8 - 1.0	<b>KP10413-3M</b>	<b>KP10413-4M</b>	<b>KP10413-5M</b>
	red		1.0 - 1.2	KP10414-3M	KP10414-4M	KP10414-5M
<b>Teflon liner</b>	blue	Alu, Stainless, CuSi	0.6 - 0.9	KP10422-3M	KP10422-4M	KP10422-5M
	red		1.0 - 1.2	KP10418-3M	KP10418-4M	KP10418-5M
<b>Aluminum kit (teflon /bronze)</b>	red	Alu, Stainless, CuSi	1.0 - 1.2	KP10419-3M	KP10419-4M	KP10419-5M

**LG 150 GD**  
**(SP 170)**

	<b>Part No.</b>
LG 150 GD - 3.0 m	K10413-15D



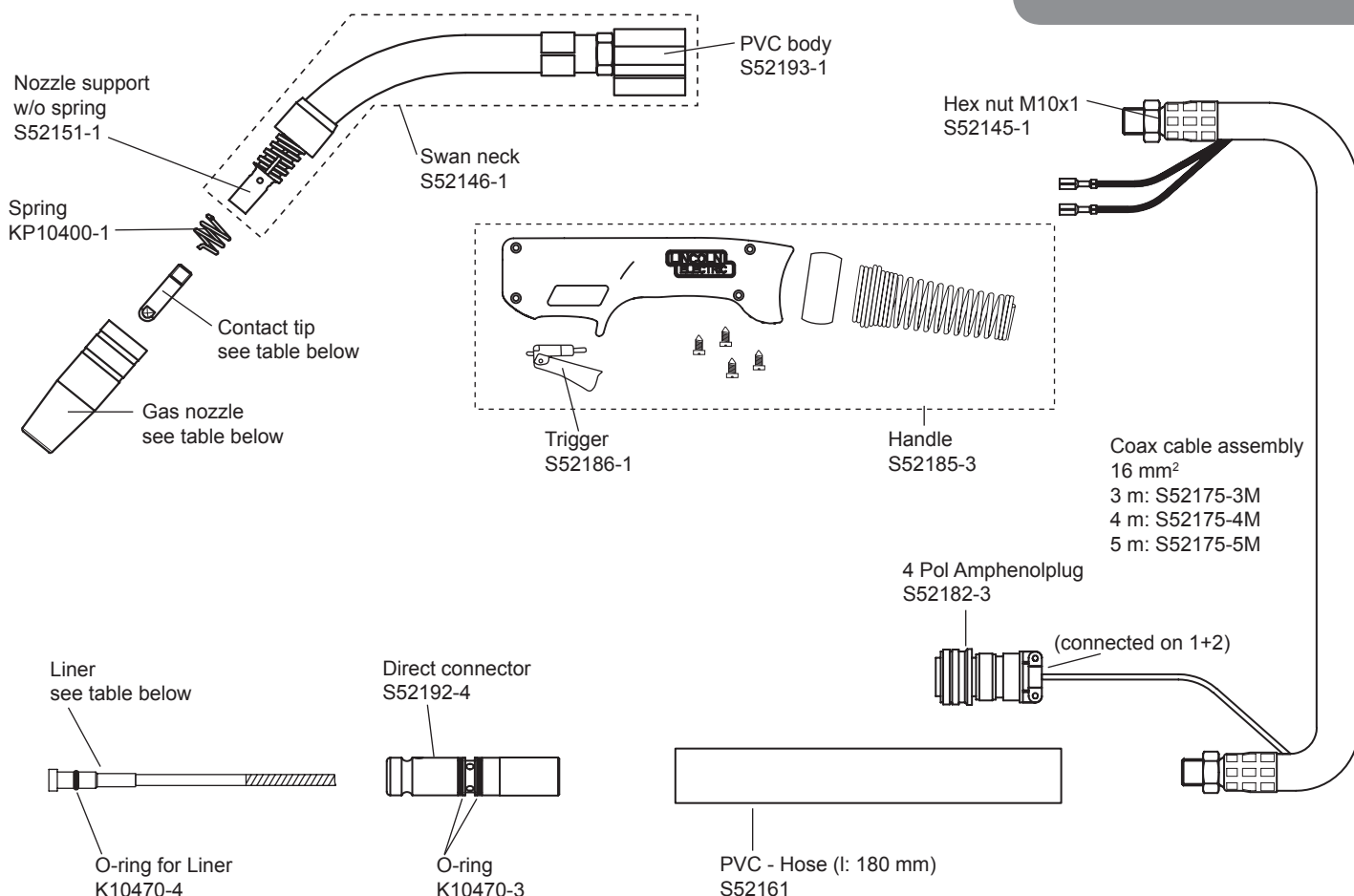
	M6 x 25 mm			
	0.6 mm	0.8 mm	0.9 mm	1.0 mm
<b>ECu</b>	KP10440-06	<b>KP10440-08</b>	KP10440-09	KP10440-10
<b>CuCrZr</b>		KP10440-08C	KP10440-09C	KP10440-10C

	Ø	Part No.
	12 mm	<b>KP10461-1</b>
	16 mm	KP10460-1
for inner shield	6 mm	KP10468

	blue red	Steel	Ø	X		
				3 m	4 m	5 m
			0.8 - 0.9	<b>KP10431-3M</b>		
			1.0 - 1.2	KP10432-3M		

**LG 150 GD**  
**(POWER MIG 180)**

	Part No.
LG 150 GD - 3.0 m	K10413-15DP-3M
LG 150 GD - 4.0 m	K10413-15DP-4M
LG 150 GD - 5.0 m	K10413-15DP-5M



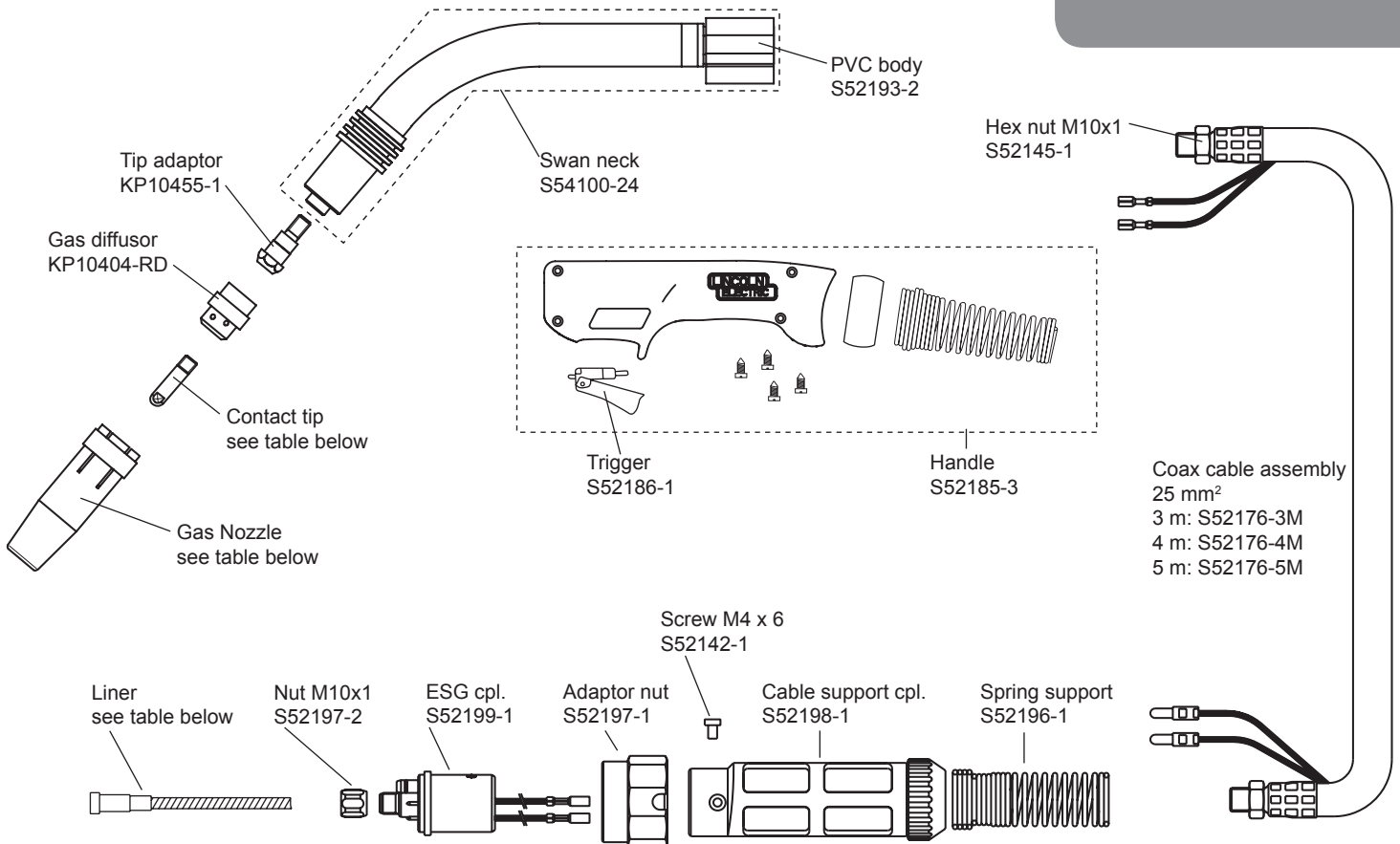
	M6 x 25 mm		
	0.6 mm	0.8 mm	1.0 mm
<b>ECu</b>	KP10440-06	<b>KP10440-08</b>	KP10440-10
<b>CuCrZr</b>		KP10440-08C	KP10440-10C

	Ø	Part No.
	12 mm	<b>KP10461-1</b>
	16 mm	KP10460-1
for inner shield	6 mm	KP10468

	blue red	Steel	Ø	X		
				3 m	4 m	5 m
			0.8 - 0.9	<b>KP10431-3M</b>		
			1.0 - 1.2	KP10432-3M		

## LG 240 G

	Part No.
LG 240 G - 3.0 m	K10413-24-3M
LG 240 G - 4.0 m	K10413-24-4M
LG 240 G - 5.0 m	K10413-24-5M



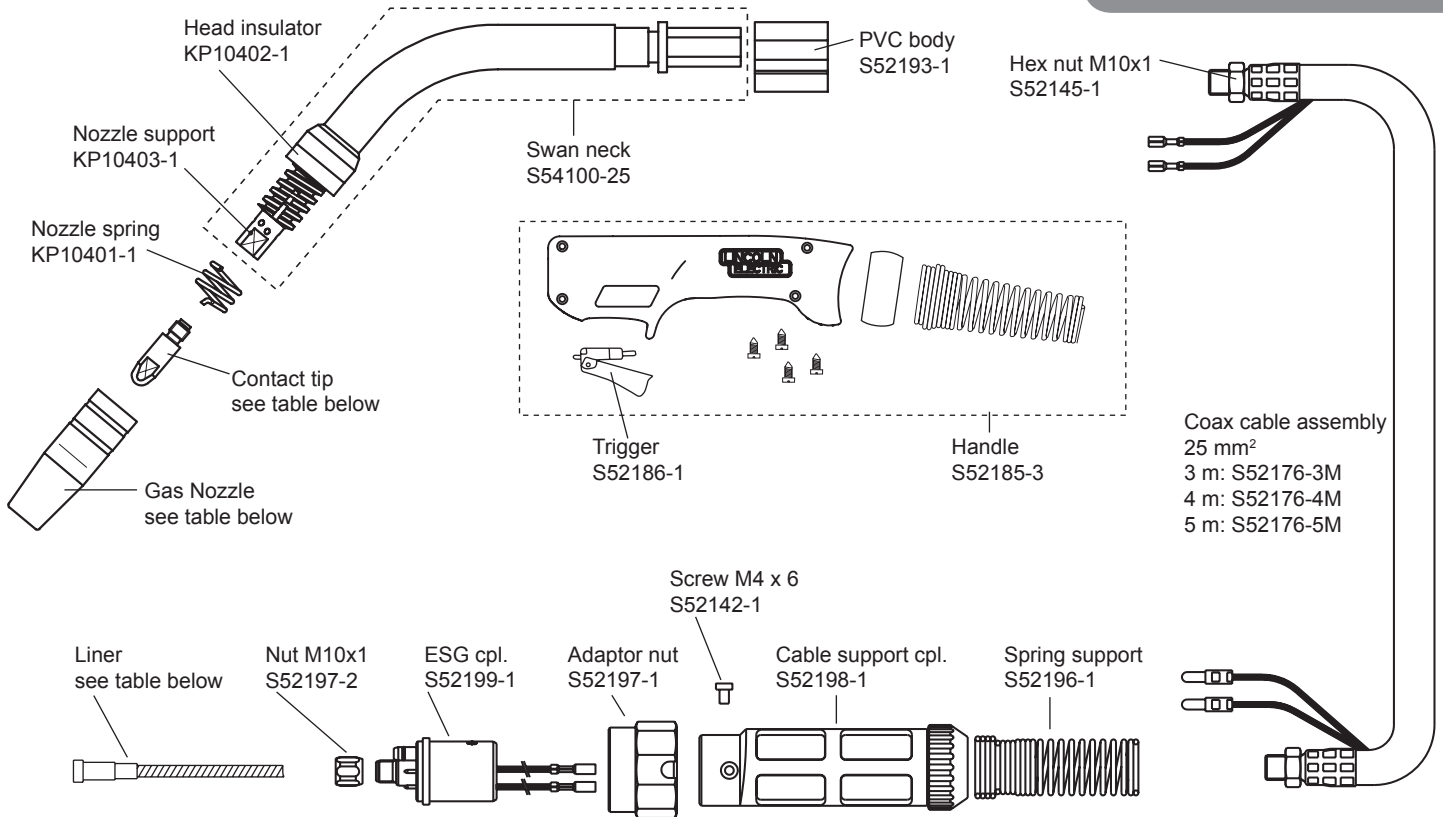
	M6 x 25 mm		
	0.8 mm	1.0 mm	1.2 mm
<b>ECu</b>	KP10440-08	<b>KP10440-10</b>	KP10440-12
<b>CuCrZr</b>	KP10440-08C	KP10440-10C	KP10440-12C
<b>Al (ECu)</b>	KP10440-08A	KP10440-10A	KP10440-12A

	Ø	Part No.
	12.5 mm	<b>KP10461-4</b>
	10 mm	KP10461-9
	17 mm	KP10460-4
	17 mm	KP10463-4

		Ø	X			
			3 m	4 m	5 m	
<b>Steel liner</b>	blue	<b>Steel</b>	0.8 - 1.0	KP10413-3M	KP10413-4M	KP10413-5M
	red		1.0 - 1.2	<b>KP10414-3M</b>	<b>KP10414-4M</b>	<b>KP10414-5M</b>
<b>Teflon liner</b>	blue	Alu, Stainless, CuSi	0.6 - 0.9	KP10422-3M	KP10422-4M	KP10422-5M
	red		1.0 - 1.2	KP10418-3M	KP10418-4M	KP10418-5M
<b>Aluminum kit (teflon /bronze)</b>	red	Alu, Stainless, CuSi	1.0 - 1.2	KP10419-3M	KP10419-4M	KP10419-5M

## LG 250 G

	Part No.
LG 250 G - 3.0 m	K10413-25-3M
LG 250 G - 4.0 m	K10413-25-4M
LG 250 G - 5.0 m	K10413-25-5M



	M6 x 28 mm		
	0.8 mm	1.0 mm	1.2 mm
<b>ECu</b>	KP10441-08	<b>KP10441-10</b>	KP10441-12
<b>CuCrZr</b>	KP10441-08C	KP10441-10C	KP10441-12C
<b>Al (ECu)</b>	KP10441-08A	KP10441-10A	KP10441-12A

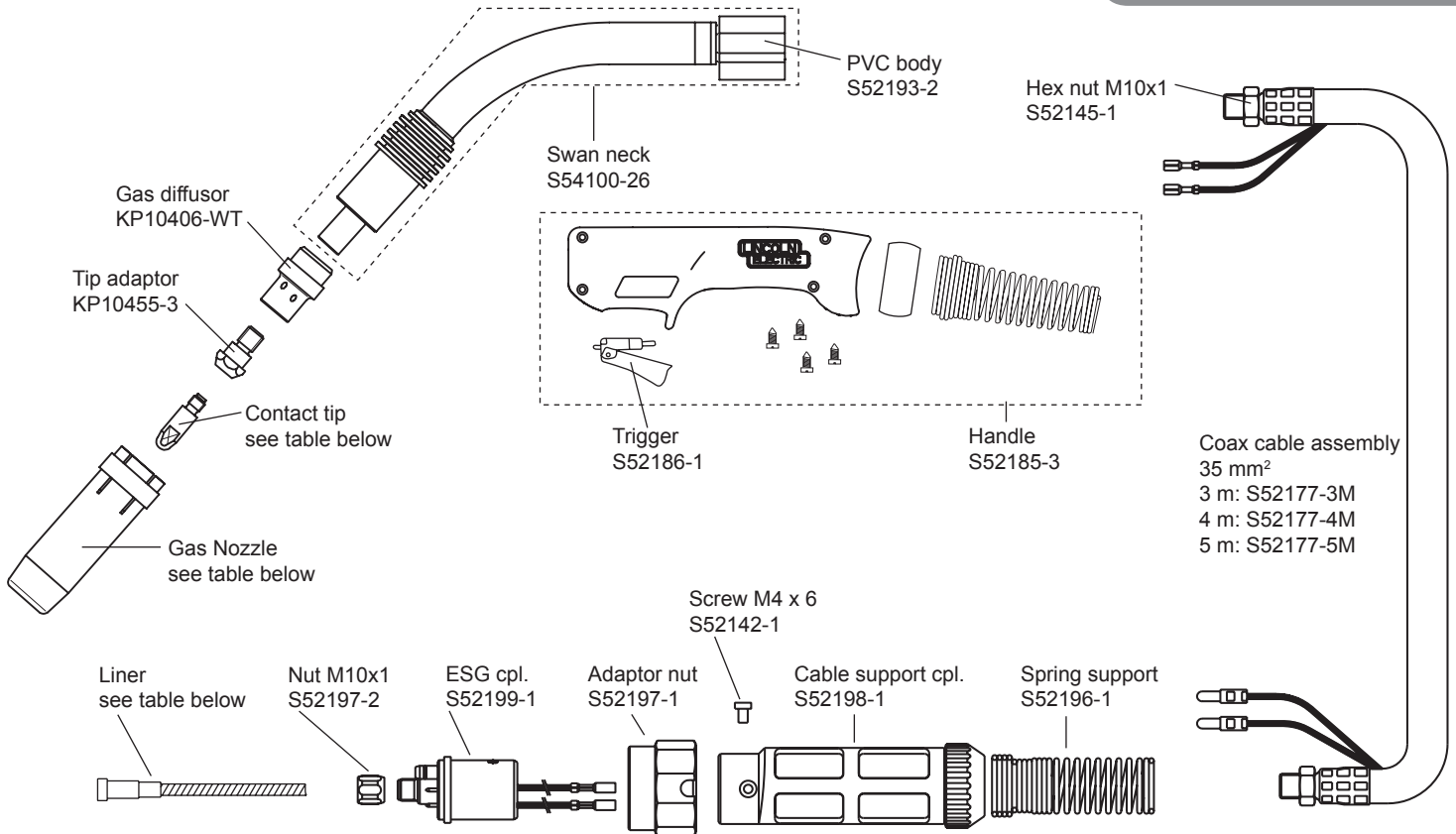
	Ø	Part No.
	15 mm	<b>KP10461-2</b>
	20 mm	KP10460-2
	11 mm	KP10461-7
	14 mm 11 mm	KP10462-2 KP10466-1
	18 mm	KP10463-2

		Ø	X		
			3 m	4 m	5 m
<b>Steel liner</b>	blue	<b>Steel</b>	KP10413-3M	KP10413-4M	KP10413-5M
	red		<b>KP10414-3M</b>	<b>KP10414-4M</b>	<b>KP10414-5M</b>
<b>Teflon liner</b>	blue	Alu, Stainless, CuSi	KP10422-3M	KP10422-4M	KP10422-5M
	red		KP10418-3M	KP10418-4M	KP10418-5M
<b>Aluminum kit (teflon /bronz)</b>	red	Alu, Stainless, CuSi	KP10419-3M	KP10419-4M	KP10419-5M



## LG 260 G

	Part No.
LG 260 G - 3.0 m	K10413-26-3M
LG 260 G - 4.0 m	K10413-26-4M
LG 260 G - 5.0 m	K10413-26-5M



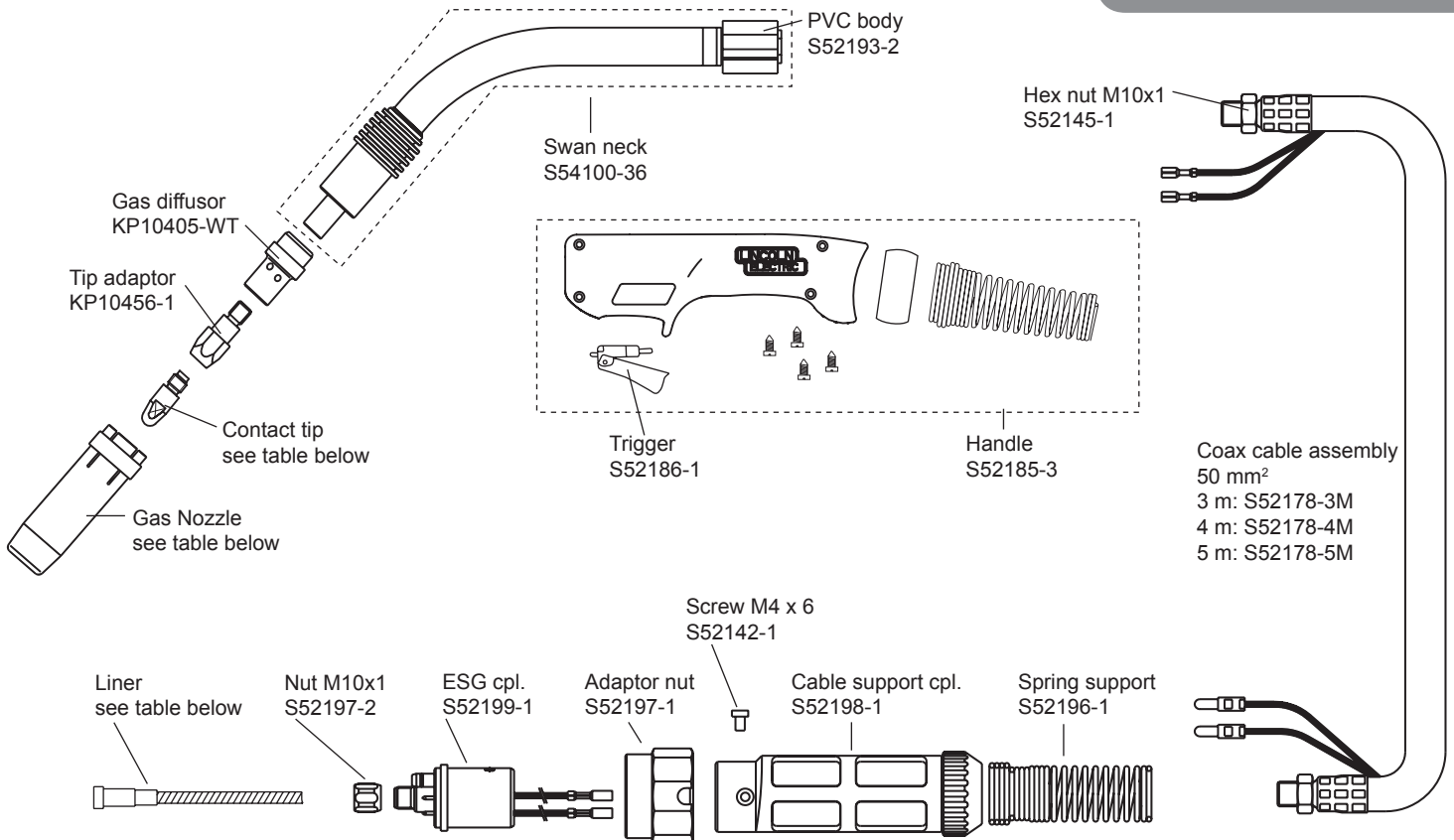
	M6 x 28 mm		
	0.8 mm	1.0 mm	1.2 mm
<b>ECu</b>	KP10441-08	<b>KP10441-10</b>	KP10441-12
<b>CuCrZr</b>	KP10441-08C	KP10441-10C	KP10441-12C
<b>Al (ECu)</b>	KP10441-08A	KP10441-10A	KP10441-12A

	Ø	Part No.
	16 mm	<b>KP10461-5</b>
	14 mm	KP10461-10
	20 mm	KP10460-5
	20 mm	KP10463-5

		Ø	X		
			3 m	4 m	5 m
<b>Steel liner</b>	blue	<b>Steel</b>	KP10413-3M	KP10413-4M	KP10413-5M
	red		<b>KP10414-3M</b>	<b>KP10414-4M</b>	<b>KP10414-5M</b>
<b>Teflon liner</b>	blue	Alu, Stainless, CuSi	KP10422-3M	KP10422-4M	KP10422-5M
	red		KP10418-3M	KP10418-4M	KP10418-5M
<b>Aluminum kit (teflon /bronze)</b>	red	Alu, Stainless, CuSi	KP10419-3M	KP10419-4M	KP10419-5M

## LG 360 G

	Part No.
LG 360 G - 3.0 m	K10413-36-3M
LG 360 G - 4.0 m	K10413-36-4M
LG 360 G - 5.0 m	K10413-36-5M



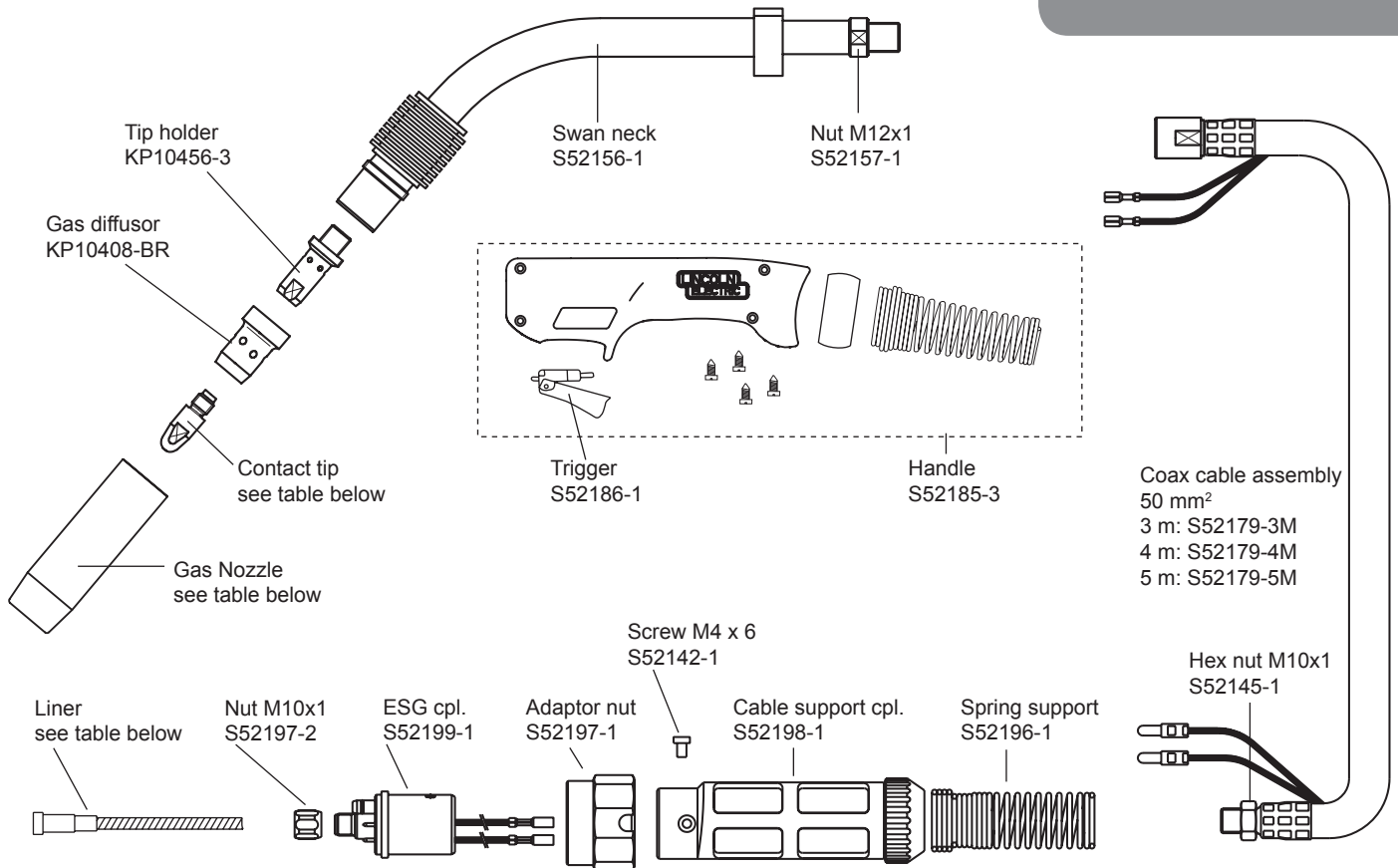
	M8 x 30 mm		
	1.0 mm	1.2 mm	1.6 mm
<b>ECu</b>	KP10445-10	<b>KP10445-12</b>	KP10445-16
<b>CuCrZr</b>	KP10445-10C	KP10445-12C	KP10445-16C
<b>Al (ECu)</b>	KP10445-10A	KP10445-12A	KP10445-16A

	Ø	Part No.
	16 mm	<b>KP10461-3</b>
	12 mm	KP10461-8
	20 mm	KP10460-3
	20 mm	KP10463-3

			Ø	X		
				3 m	4 m	5 m
	red	Steel	1.0 - 1.2	<b>KP10414-3M</b>	<b>KP10414-4M</b>	<b>KP10414-5M</b>
	yellow		1.2 - 1.6	KP10415-3M	KP10415-4M	KP10415-5M
	red	Alu, Stainless, CuSi	1.0 - 1.2	KP10418-3M	KP10418-4M	KP10418-5M
	yellow		1.2 - 1.6	KP10420-3M	KP10420-4M	KP10420-5M
	red	Alu, Stainless, CuSi	1.0 - 1.2	KP10419-3M	KP10419-4M	KP10419-5M

## LG 420 G

	Part No.
LG 420 G - 3.0 m	K10413-42-3M
LG 420 G - 4.0 m	K10413-42-4M
LG 420 G - 5.0 m	K10413-42-5M



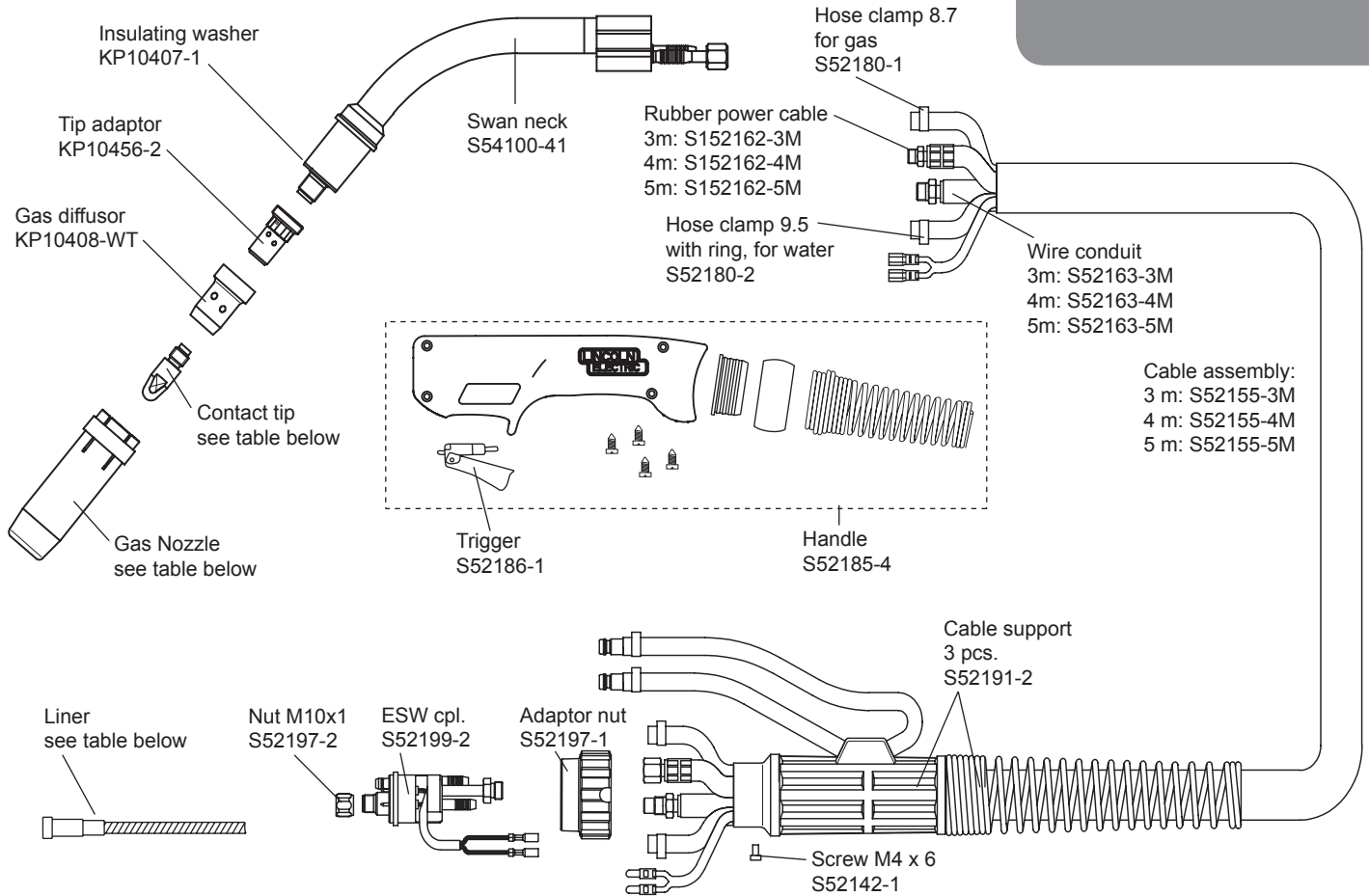
	M8 x 30 mm		
	1.0 mm	1.2 mm	1.6 mm
<b>ECu</b>	KP10445-10	<b>KP10445-12</b>	KP10445-16
<b>CuCrZr</b>	KP10445-10C	KP10445-12C	KP10445-16C
<b>Al (ECu)</b>	KP10445-10A	KP10445-12A	KP10445-16A

	Ø	Part No.
	16 mm 16 mm HD	<b>KP10465-1</b> KP10465-2
	14 mm	KP10465-3
	19 mm	KP10464-1

			Ø	X		
				3 m	4 m	5 m
<b>Steel liner</b>	red	<b>Steel</b>	1.0 - 1.2	KP10414-3M	KP10414-4M	KP10414-5M
	yellow		1.2 - 1.6	<b>KP10415-3M</b>	<b>KP10415-4M</b>	<b>KP10415-5M</b>
<b>PA liner</b>	black	Alu, Stainless, CuSi	1.4 - 1.6	KP10426-3M	KP10426-4M	KP10426-5M
<b>Teflon liner</b>	red	Alu, Stainless, CuSi	1.0 - 1.2	KP10418-3M	KP10418-4M	KP10418-5M
	yellow		1.2 - 1.6	KP10420-3M	KP10420-4M	KP10420-5M
<b>Aluminum kit (teflon /bronze)</b>	red	Alu, Stainless, CuSi	1.0 - 1.2	KP10419-3M	KP10419-4M	KP10419-5M
	yellow		1.2 - 1.6	KP10421-3M	KP10421-4M	KP10421-5M

## LG 410 W

	Part No.
LG 410 W - 3.0 m	K10413-410-3M
LG 410 W - 4.0 m	K10413-410-4M
LG 410 W - 5.0 m	K10413-410-5M



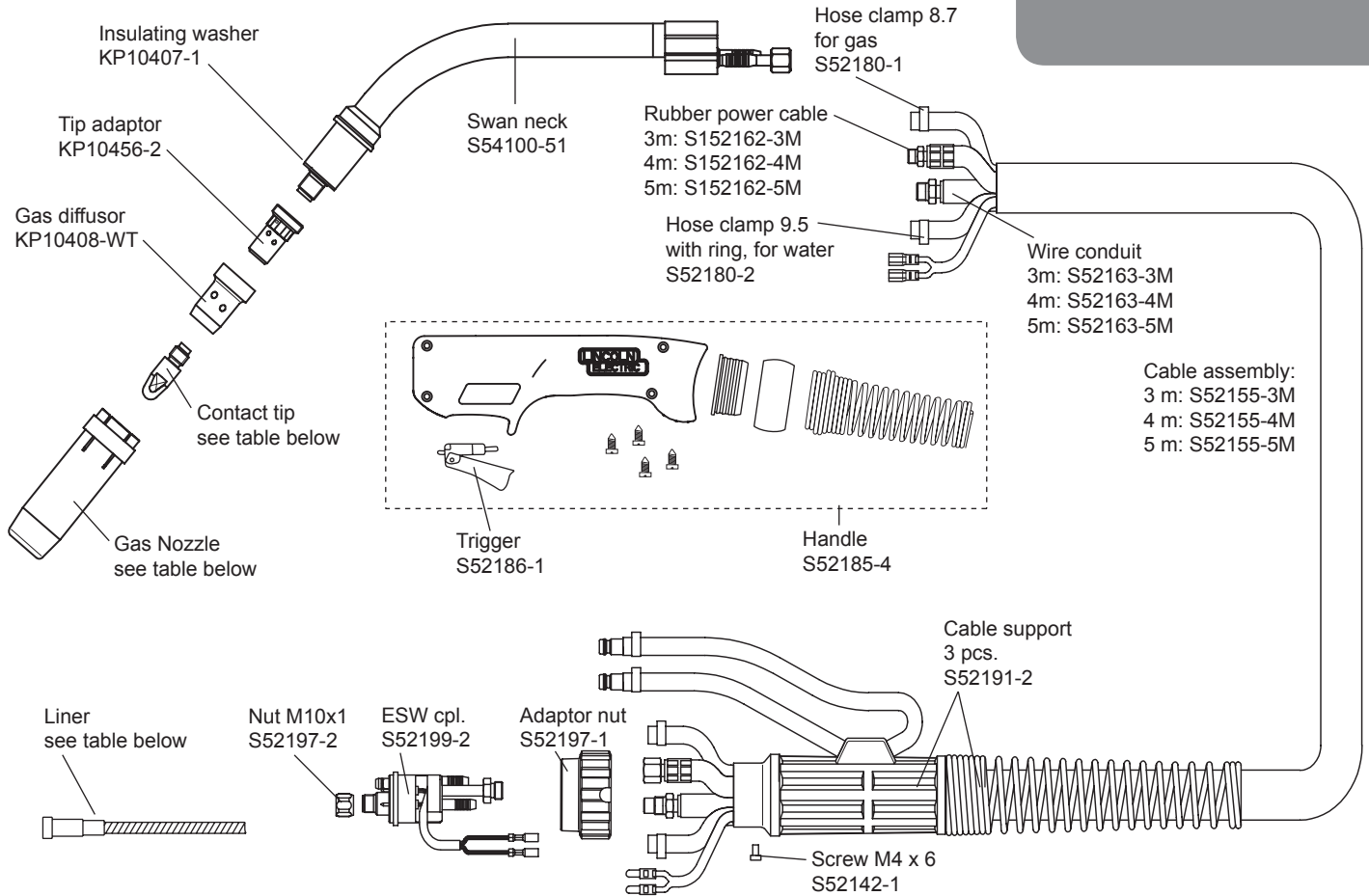
	M8 x 30 mm		
	1.0 mm	1.2 mm	1.6 mm
<b>ECu</b>	<b>KP10445-10</b>	KP10445-12	KP10445-16
<b>CuCrZr</b>	KP10445-10C	KP10445-12C	KP10445-16C
<b>Al (ECu)</b>	KP10445-10A	KP10445-12A	KP10445-16A

	Ø	Part No.
	16 mm	<b>KP10461-5</b>
	14 mm	KP10461-10
	20 mm	KP10460-5
	20 mm	KP10463-5

		Ø	X		
			3 m	4 m	5 m
<b>Steel liner</b>		1.0 - 1.2	<b>KP10410-3M</b>	<b>KP10410-4M</b>	<b>KP10410-5M</b>
		1.2 - 1.6	KP10411-3M	KP10411-4M	KP10411-5M
<b>Teflon liner</b>	red	1.0 - 1.2	KP10418-3M	KP10418-4M	KP10418-5M
	yellow	1.2 - 1.6	KP10420-3M	KP10420-4M	KP10420-5M
<b>Aluminum kit (teflon /bronze)</b>	red	1.0 - 1.2	KP10419-3M	KP10419-4M	KP10419-5M

## LG 500 W

	Part No.
LG 500 W - 3.0 m	K10413-500-3M
LG 500 W - 4.0 m	K10413-500-4M
LG 500 W - 5.0 m	K10413-500-5M



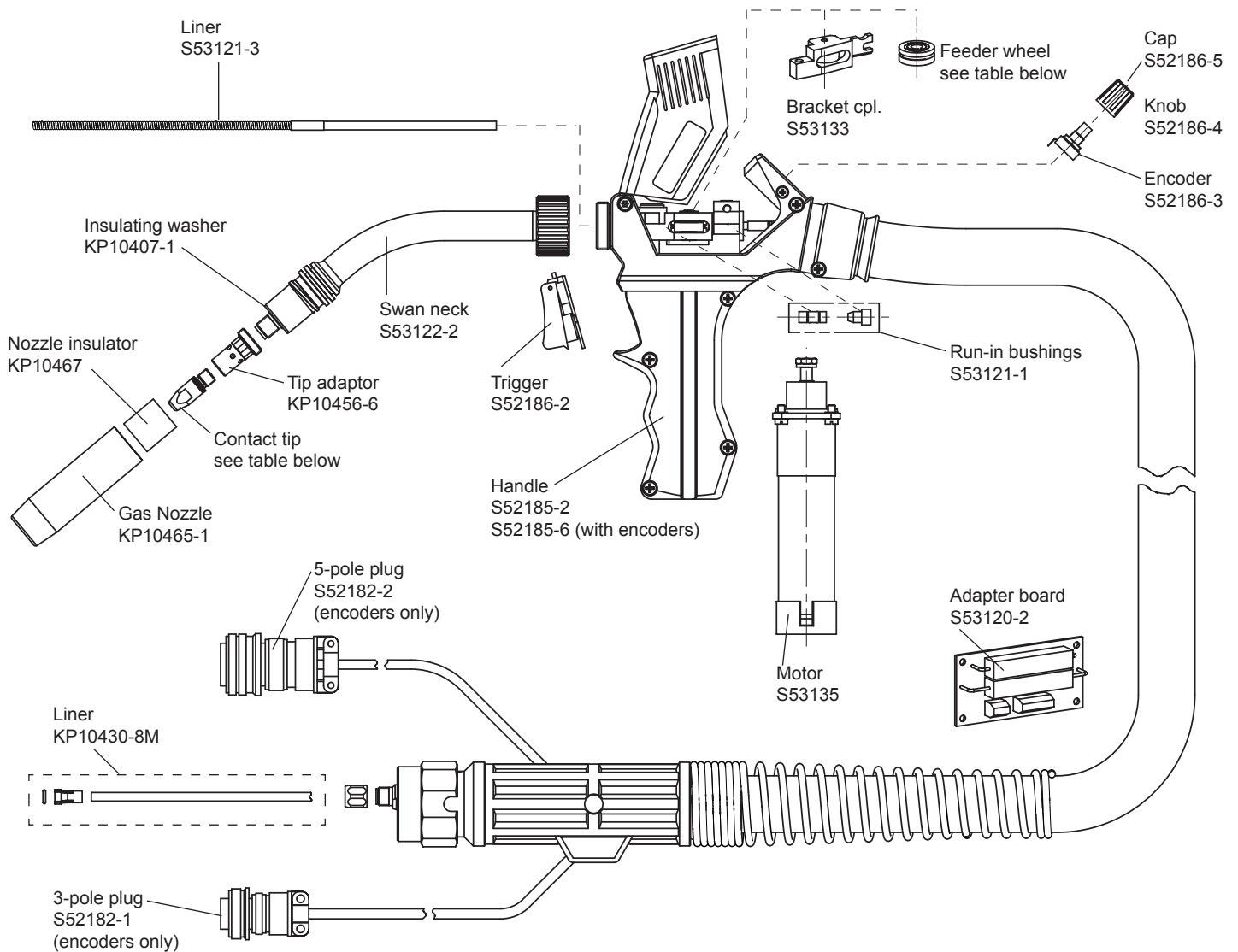
	M8 x 30 mm		
	1.0 mm	1.2 mm	1.6 mm
<b>ECu</b>	KP10445-10	<b>KP10445-12</b>	KP10445-16
<b>CuCrZr</b>	KP10445-10C	KP10445-12C	KP10445-16C
<b>Al (ECu)</b>	KP10445-10A	KP10445-12A	KP10445-16A

	Ø	Part No.
	16 mm	<b>KP10461-5</b>
	14 mm	KP10461-10
	20 mm	KP10460-5
	20 mm	KP10463-5

			Ø	X		
				3 m	4 m	5 m
<b>Steel liner</b>		Steel	1.0 - 1.2	<b>KP10410-3M</b>	<b>KP10410-4M</b>	<b>KP10410-5M</b>
			1.2 - 1.6	KP10411-3M	KP10411-4M	KP10411-5M
<b>Teflon liner</b>		red	1.0 - 1.2	KP10418-3M	KP10418-4M	KP10418-5M
		yellow	1.2 - 1.6	KP10420-3M	KP10420-4M	KP10420-5M
<b>Aluminum kit (teflon /bronz)</b>		red	1.0 - 1.2	KP10419-3M	KP10419-4M	KP10419-5M

## LG PP 300 G

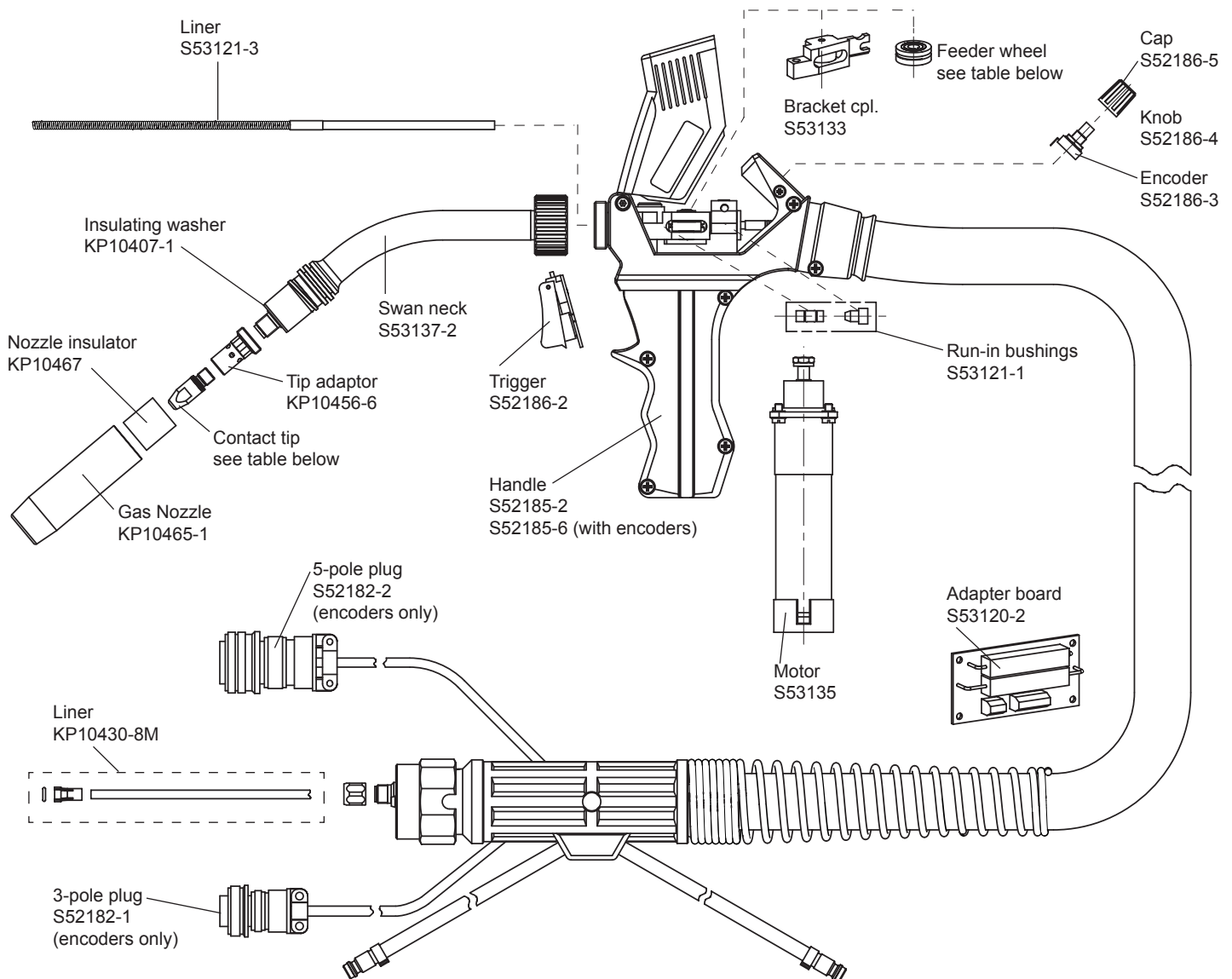
	Part No.
LG PP 300 G - 8.0 m - w/o encoders	K10413-PPA
LG PP 300 G - 8.0 m - with encoders	K10413-PPAR



	Ø	0.8 mm	1.0 mm	1.2 mm	1.4 mm	1.6 mm
Al (ECu) M8 x 30 mm		KP10445-08A	KP10445-10A	KP10445-12A	KP10445-14A	KP10445-16A
Al (Polygon) M8 x 30 mm			KP10445-10PLG	<b>KP10445-12PLG</b>		
Feeder wheel		S53131-1	S53131-2	<b>S53131-3</b>	S53131-4	S53131-5

## LG PP 400 W

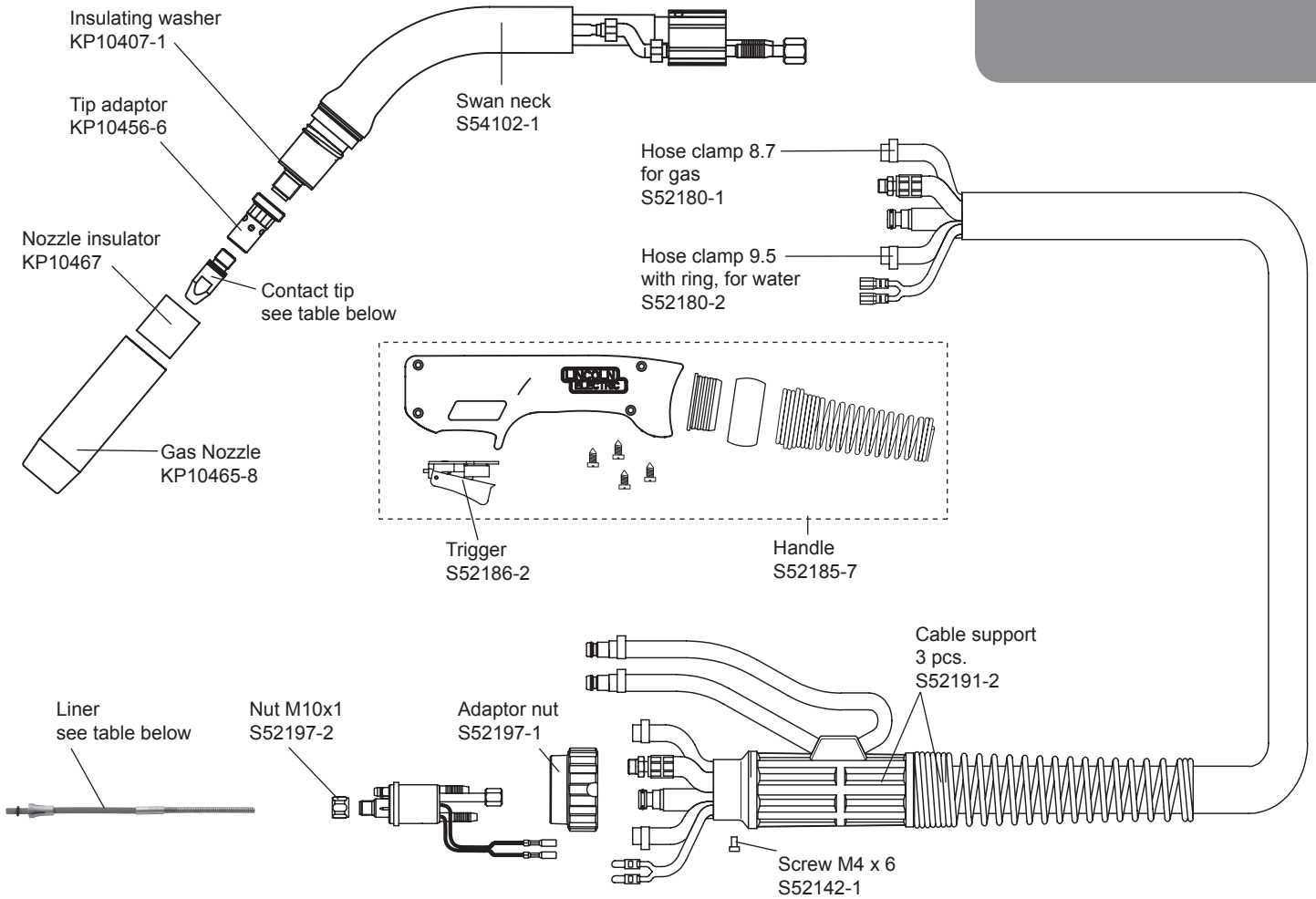
	Part No.
LG PP 400 W - 8.0 m - w/o encoders	K10413-PPW
LG PP 400 W - 8.0 m - with encoders	K10413-PPWR



	Ø	0.8 mm	1.0 mm	1.2 mm	1.4 mm	1.6 mm
<b>Al (ECu)</b> M8 x 30 mm		KP10445-08A	KP10445-10A	KP10445-12A	KP10445-14A	KP10445-16A
<b>Al (Polygon)</b> M8 x 30 mm			KP10445-10PLG	<b>KP10445-12PLG</b>		
<b>Feeder wheel</b>		S53131-1	S53131-2	<b>S53131-3</b>	S53131-4	S53131-5

## LG S2F Alu

	Part No.
LG S2F Alu - 4.0 m	K10413-ALU-4M



	M8 x 30 mm				
	0.8 mm	1.0 mm	1.2 mm	1.4 mm	1.6 mm
 <b>Al (ECu)</b>	KP10445-08A	KP10445-10A	KP10445-12A	KP10445-14A	KP10445-16A
 <b>Al (Polygon)</b>		KP10445-10PLG	KP10445-12PLG		

			Ø	X	
				4 m	
 <b>Aluminum kit (PA /bronze)</b>	gray	Alu, Stainless, CuSi	1.0 - 1.2		<b>KP10425-4M</b>
	gray		1.2 - 1.6		KP10426-4M





# Maintenance and Users Manual

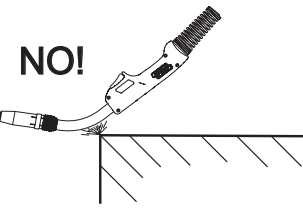



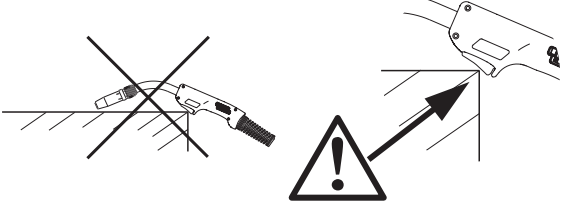
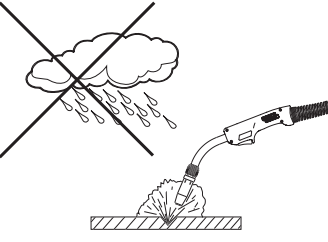
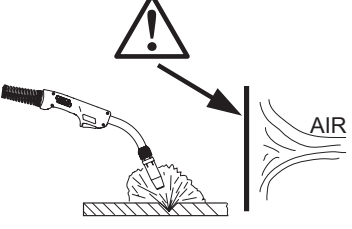

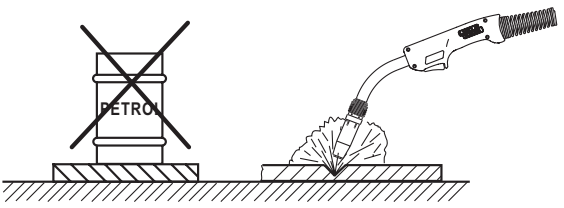
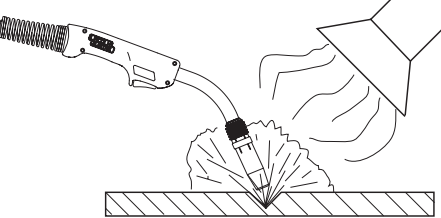
## Warning: Risk of electric shock!

Always disconnect the welding machine from the line power before maintenance, inspection, or exchange of spare parts.

**Precautions**



**NO!**  **OK** 





The Lincoln Electric Company  
is one of the largest manufacturers of  
welding consumables and equipment  
and has been manufacturing  
in Europe for more than 75 years.

## Lincoln Electric in Europe

**United Kingdom : Lincoln Electric (UK) Ltd.**

Tel: +44 114 287 2401 Fax: +44 114 287 2582

**Belgium: Lincoln Smitweld Belgium**

Tel: +32 2 377 00 71 Fax: +32 2 378 18 77

**France: Lincoln Electric France SAS**

Tel: +33 232 11 40 40 Fax: +33 232 11 40 11

**Italy: Lincoln Electric Italia, SRL**

Tel: +39 010 754 111 Fax: +39 010 754 1150

**The Netherlands: Lincoln Smitweld B.V.**

Tel: +31 24 352 29 11 Fax: +31 24 352 22 02

**Denmark: Lincoln Electric Nordic Denmark**

Tel: +45 86 26 51 00 Fax: +45 86 26 51 50

**Finland: Lincoln Electric Nordic Finland**

Tel: +358 10 5223500 Fax: +358 10 52235 10

**Spain: Lincoln KD, Sa**

Tel: +34 93 685 9600 Fax: +34 93 685 9610

**Russia: Lincoln Electric Moscow Russia**

Tel: +7 495 981 4700 Fax: +7 495 967 6534

**Ukraine: Lincoln Electric Ukraine**

Tel: +38 044 596 54 15

**CIS countries**

Tel.: +90 262 679 77 98 Fax: +90 262 679 77 99

**Poland: Lincoln Electric Bester S.A.**

Tel: +48 746 46 1100 Fax: +48 746 46 1082

**LINCOLN**<sup>®</sup>  
**ELECTRIC**

**THE WELDING EXPERTS<sup>®</sup>**

**[www.lincolnelectric.eu](http://www.lincolnelectric.eu)**