

SPEEDTEC 400S & 500S

ASSEMBLY PAGE NAME			Machine Assembly						
CODE NO.:	K NO.:	FIGURE NO.:	A-B-C						
50193	K14053-1	SPEEDTEC 400S	1						
50192	K14052-1	SPEEDTEC 500S	2						

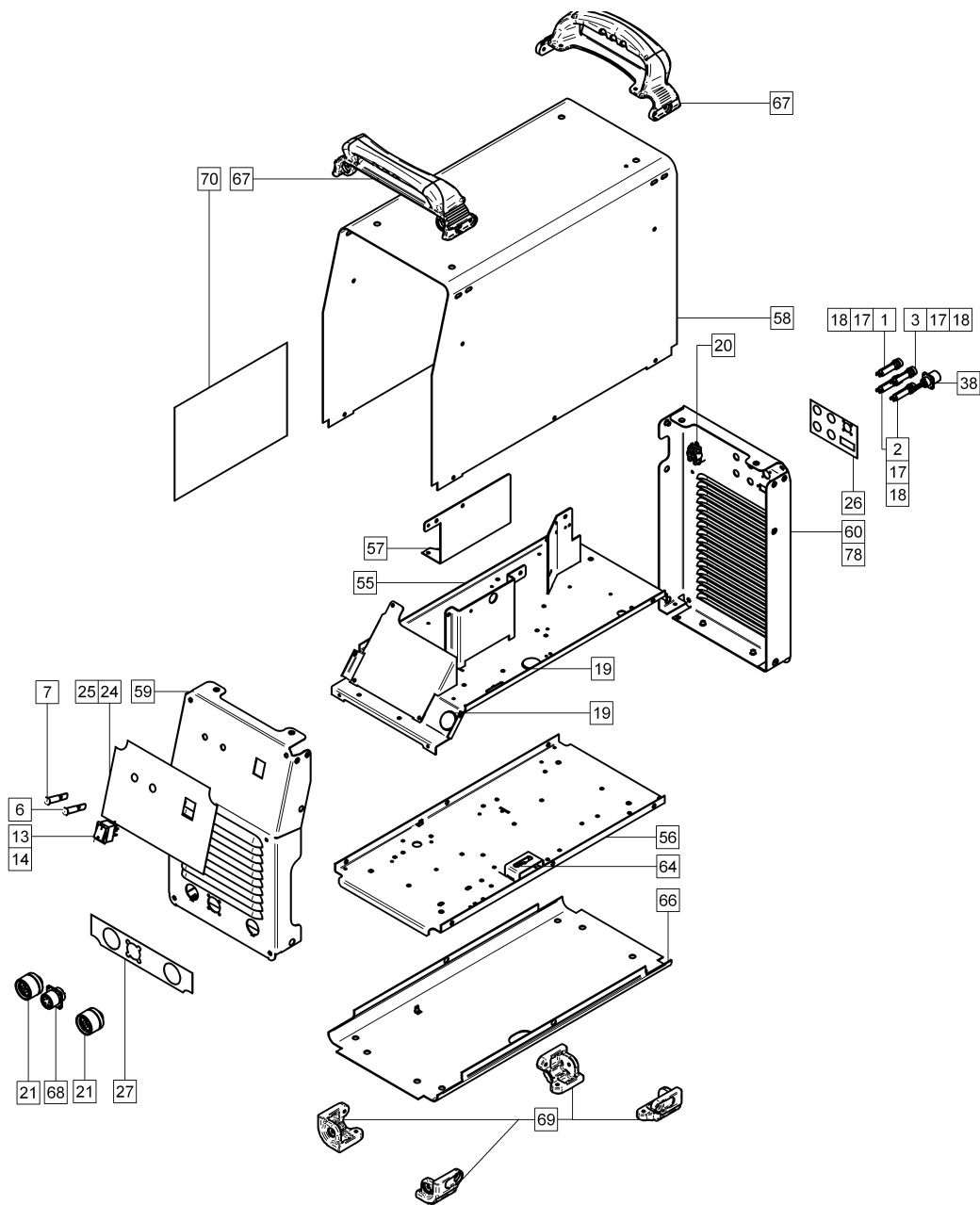


Figure A

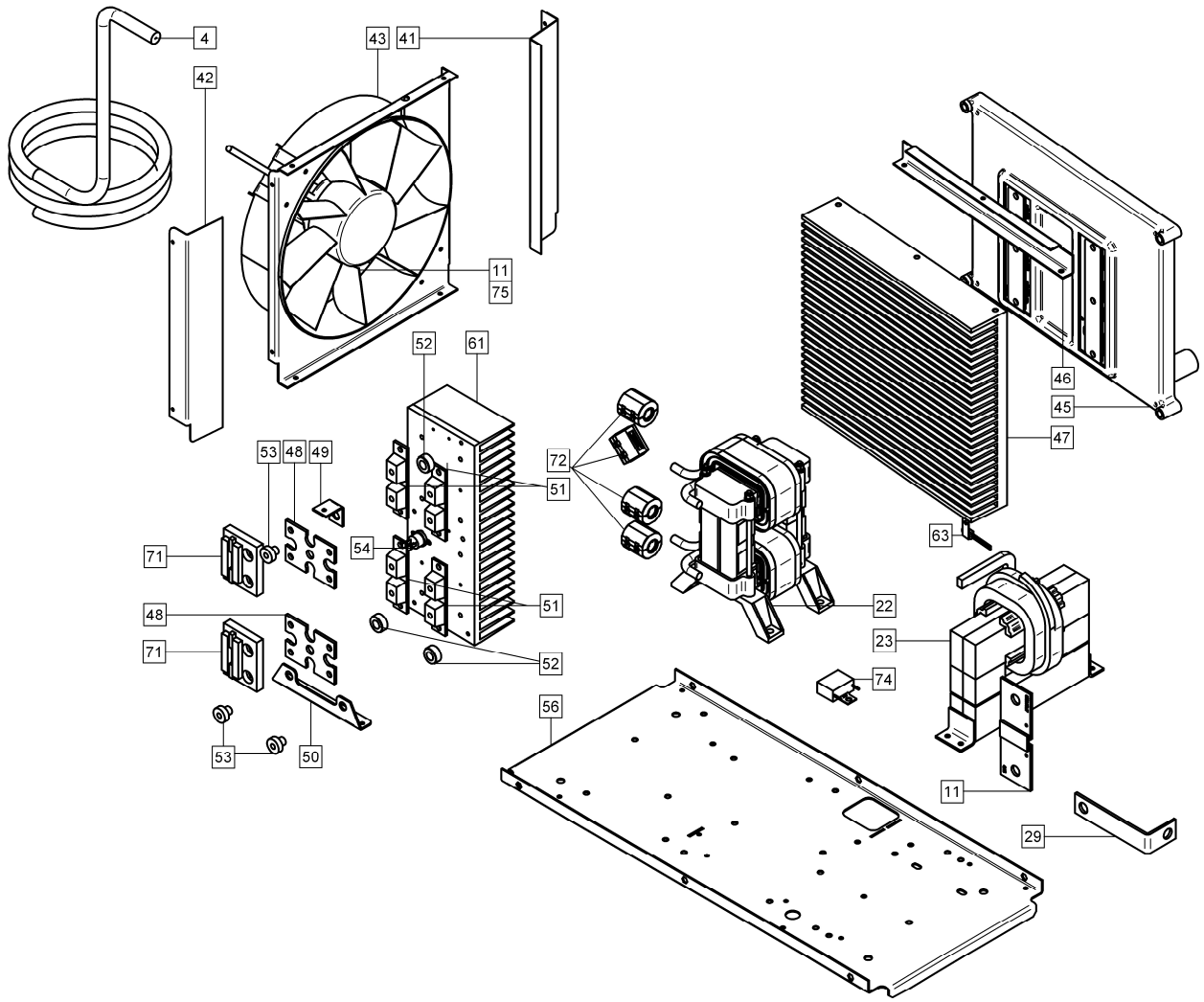


Figure B

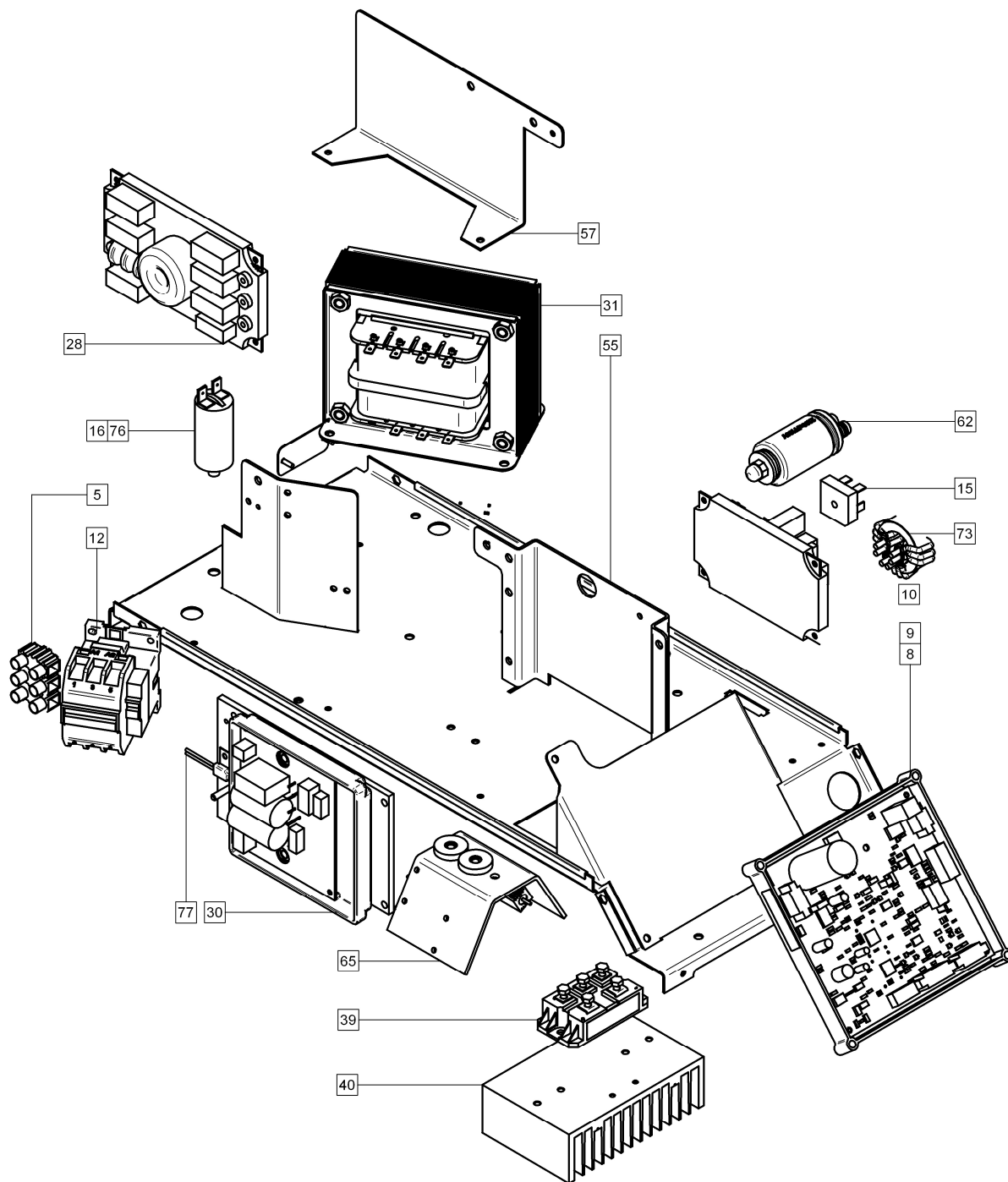


Figure C

Figure A-B-C: Machine Assembly

Item	Description	Part Number	QTY	1	2	3	4
1	FUSE F4 (6,3A / 400V)	1158-660-008R	1	X	X		
2	FUSE F1, F2 (2A / 400V)	1158-660-010R	2	X	X		
3	FUSE F3 (12,5A / 400V)	1158-660-012R	1	X	X		
4	MAINS CORD WITHOUT PLUG -5m (4x4mm ²)	D-5578-171-2R	1	X	X		
5	TERMINAL BLOCK X11	1131-990-011R	1	X	X		
6	LED LAMP V5	0917-421-009R	1	X	X		
7	LED LAMP V4	0917-421-043R	1	X	X		
8	CONTROL PC BOARD (PROGRAMMED)	R-8040-027-2R	1	•	X		
9	CONTROL PC BOARD (PROGRAMMED)	R-8040-027-3R	1	X	•		
10	OUTPUT FILTER AND RELAYS PC BOARD UFD-14	0918-432-106R	1	X	X		
11	SHUNT R1	0941-712-030R	1	X	X		
12	CONTACTOR K1	1115-212-210R	1	X	X		
13	MAINS SWITCH S1	1115-270-005R	1	X	X		

14	MAINS SWITCH GUARD	1115-299-073R	1	X	X		
15	RECTIFIER BRIDGE V3	1156-112-100R	2	X	X		
16	CAPACITOR C1	1158-121-045R	1	X	•		
17	FUSE BASE	1158-632-032R	4	X	X		
18	FUSE CAP	1158-632-033R	4	X	X		
19	RUBBER GROMMET	1361-599-198R	2	X	X		
20	MAINS CABLE CLAMP	1361-599-674R	1	X	X		
21	WELDING SOCKET X1, X2	C-2986-001-3R	2	X	X		
22	MAIN TRANSFORMER T1	G5883-4	1	X	X		
23	CHOKE L1	L13166-3	1	X	X		
24	LABEL (FRONT)	R-0010-224-1R	1	•	X		
25	LABEL (FRONT)	R-0010-224-2R	1	X	•		
26	LABEL (REAR)	R-0010-225-1R	1	X	X		
27	LABEL (WELDING SOCKETS)	R-0010-226-1R	1	X	X		
28	EMC FILTER PC BOARD UFS-1	0918-432-105R	1	X	X		
29	CONDUCTOR RAIL	R-1012-355-1R	1	X	X		
30	40VDC BUS PC BOARD	L11832-3	1	X	X		
31	AUXILIARY TRANSFORMER T2	R-4034-087-1R	1	X	X		
32	SECONDARY CIRCUIT HARNESS A (NON SHOWN)	R-5041-132-1R	1	X	X		
33	SECONDARY CIRCUIT HARNESS B (NON SHOWN)	R-5041-133-1R	1	X	X		
34	SECONDARY CIRCUIT HARNESS C (NON SHOWN)	R-5041-134-1R	1	X	X		
35	SECONDARY CIRCUIT HARNESS D (NON SHOWN)	R-5041-135-1R	1	X	X		
36	WATER COOLER HARNESS (NON SHOWN)	R-5041-136-1R	1	X	X		
37	PRIMARY CIRCUIT HARNESS A (NON SHOWN)	R-5041-137-1R	1	X	X		
38	GAS HEATER HARNESS	R-5041-141-1R	1	X	X		
39	INPUT RECTIFIER V1	M15454-14	1	X	X		
40	INPUT RECTIFIER HEATSINK	M20787-1	1	X	X		
41	FAN COVER	R-1019-165-1/08R	1	X	X		
42	FAN COVER	R-1019-166-1/08R	1	X	X		
43	FAN DIVIDER	R-3019-149-1/08R	1	X	X		
44	FAN	R-8040-223-1R	1	X	•		
45	SWITCH BOARD	G6629-2	1	X	X		
46	BRACKET	R-1019-174-1/08R	1	X	X		
47	SWITCH BOARD HEATSINK	R-2013-063-1	1	X	X		
48	RECONNECT PANEL LINK	R-1010-034-1R	2	X	X		
49	BRACKET	R-1019-172-1/08R	1	X	X		
50	BRACKET	R-1019-173-1/08R	1	X	X		
51	OUTPUT DIODE V2	S25520-3	4	X	X		
52	SPACER	S26178-1	3	X	X		
53	SPACER	S26178-2	3	X	X		
54	THERMAL SWITCH y1	T13359-28	1	X	X		
55	SHELF	R-3016-016-1/08R	1	X	X		
56	BASE	R-3016-017-1/08R	1	X	X		
57	BRACKET	R-3019-173-1/08R	1	X	X		
58	COVER	R-1019-228-1R	1	X	X		
59	FRONT PANEL	R-3019-176-1/08R	1	X	X		
60	REAR PANEL	R-3019-177-1/08R	1	X	X		
61	OUTPUT RECTIFIER HEATSINK	M19349-3	1	X	X		
62	ELECTROLYTIC CAPACITOR	1158-125-329R	1	X	X		
63	THERMAL SWITCH y4	1115-769-135R	2	X	X		
64	RUBBER GROMMET	1361-599-131R	1	X	X		
65	SNUBBER NETWORK ASSEMBLY	R-8040-250-1R	1	X	X		
66	BASE COVER	R-1019-191-1R	1	X	X		
67	HANDLE	R-0010-292-1R	2	X	X		
68	SOCKET X3	1158-641-051R	1	X	X		
69	RUBBER CORNER	W95X1147R	4	X	X		
70	LABEL (SCHEMATIC)	R-0010-310-1R	1	X	X		
71	PC BOARD OP-19	0918-432-107R	2	X	X		
72	FERRITE CORE RF6 ÷ RF9	1158-290-010R	4	X	X		
73	EMC CHOKE RF5	R-5041-198-1R	1	X	X		
74	CAPACITOR C3	1158-121-033R	1	X	X		
75	FAN	R-8040-223-2R	1	•	X		
76	CAPACITOR C1	1158-121-046R	1	•	X		
77	THERMAL SWITCH y2	1115-769-134R	1	X	X		
78	HOLE PLUG	R-1019-264-1/08R	1	X	X		