

COOLARC-50 (50191)

MACHINE ASSEMBLY NAME		Machine Assembly	Not Illustrated Parts			
CODE NO.:	FIGURE NO.:	A	-			
50191	COOLARC-50	1	1			

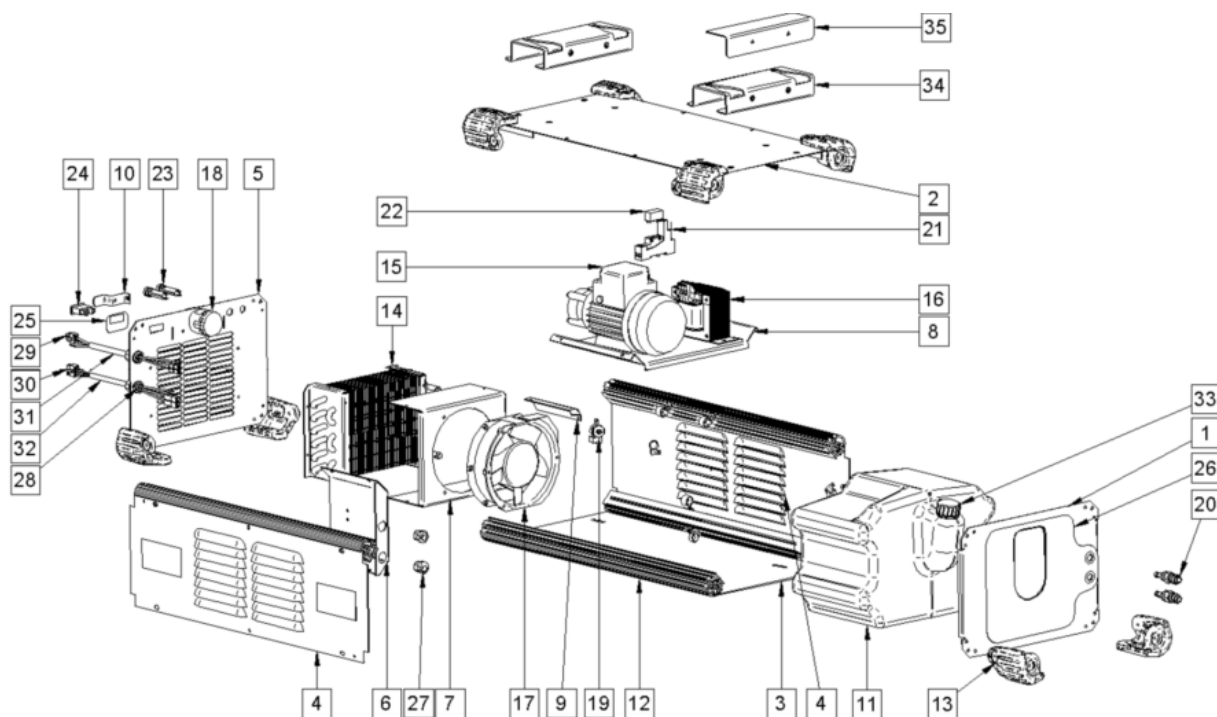


Figure A

Figure A: Machine Assembly

Item	Description	Part Number	QTY	1	2	3
1	CASE FRONT ASSEMBLY	R-1019-142-1/08R	1	X		
2	TOP PANEL ASSEMBLY	R-3019-199-1/02R	1	X		
3	BASE ASSEMBLY	R-3019-210-1/08R	1	X		
4	SIDE PANEL	R-1019-140-1/02R	2	X		
5	CASE BACK	R-1019-142-5/02R	1	X		
6	CABLE SHELTER	R-1019-242-1/02R	1	X		
7	RADIATOR COVER	R-1019-074-5/02R	1	X		
8	SLIDE BRACKET	R-1019-143-1/08R	1	X		
9	FLOW SENSOR BRACKET	R-1019-209-1/08R	1	X		
10	SWITCH LOCKING BRACKET	R-1019-144-1/08R	1	X		
11	RESERVOIR ASSEMBLY	R-8040-225-1R	1	X		
12	ALUMINIUM RAIL	0562-230-007R	4	X		
13	CORNER CAP	1373-111-333R	8	X		
14	RADIATOR	0871-100-007R	1	X		
15	PUMP	0871-100-013R	1	X		
16	TRANSFORMER 400V / 230V	R-4034-090-1R	1	X		

17	FAN	0873-100-031R	1	X		
18	VOLTAGE SWITCH	1115-270-017R	1	X		
19	FLOW SENSOR ASSEMBLY	R-5041-162-1R	1	X		
20	QUICK WATER CONNECTOR (21KATS09MPX)	0744-000-150R	4	X		
21	RELAY BASE	1158-632-017R	1	X		
22	RELAY	0918-412-020R	1	X		
23	FUSE SOCKET	1158-632-032R	2	X		
	FUSE SOCKET TURN KNOB	1158-632-033R	2	X		
	FUSE F1 / F2	1158-660-010R	2	X		
24	SWITCH	1115-270-004R	1	X		
25	LABEL - FLOW SENSOR OFF	R-0010-370-1R	1	X		
26	COOLARC-50 LABEL	R-0010-192-1R	1	X		
27	STRAIN RELIEF BUSHING SB8R-1	1361-599-396R	2	X		
28	PG13,5 CABLE GLAND	1131-154-060R	2	X		
29	RECEPTACLE CONNECTOR 6-PINS	1159-190-011R	1	X		
30	RECEPTACLE CONNECTOR 8-PINS	1159-190-039R	1	X		
31	CABLE	R-5041-211-1R	1	X		
32	CABLE	R-5041-212-1R	1	X		
33	RESERVOIR CAP	0653-321-006R	1	X		
34	SET ASSEMBLY BRACKET	R-3019-209-1/08R	2	X		
35	SET LOCKING BRACKET	R-1019-244-1/08R	1	X		

Not Illustrated Parts

Item	Description	Part Number	QTY	1	2	3
	HARNESS	R-5041-122-1R	1	X		