

LINC FEED 45S

ASSEMBLY PAGE NAME			Wire Feeder Assembly LF 45S		
CODE NO.:	K NO.:	FIGURE NO.:	A		
50183	K14083-1	LINC FEED 45S	1		

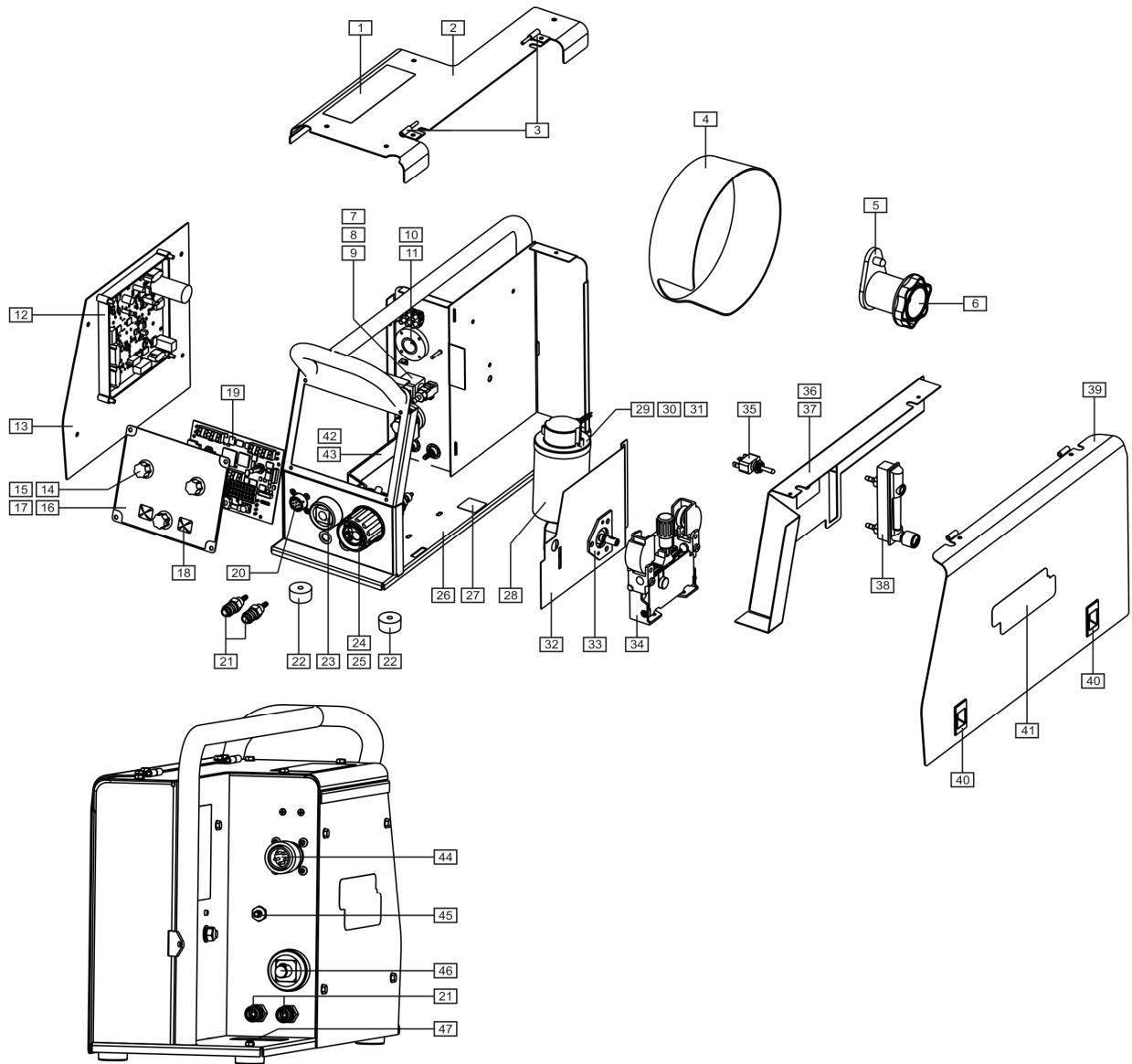


Figure A

Item	Description	Part Number	QTY	1	2	3
1	WARNING LABEL	2719-107-728R	1	X		
2	TOP PANEL	R-1012-266-1R	1	X		
4	PLASTIC COVER	R-0010-229-1R	1	X		
5	SLEEVE	0646-231-043R	1	X		
8	GAS SOLENOID	0972-423-038R	1	X		
9	COUPLER	R-2013-060-1R	1	X		
11	ALU RING	R-2013-032-1R	1	X		
12	CONTROL PC BOARD	R-6042-053-1R	1	X		
13	LEFT PANEL	R-3019-216-1R	1	X		
14	PROTECTION WASHER	0744-200-108R	1	X		
15	KNOB	9ET13639-3R	3	X		
16	NAME PLATE	R-0010-284-1R	1	X		
17	METAL FRONT PANEL	R-3019-170-1R	1	X		
18	RUBBER BUTTON	1373-182-005R	2	X		
19	UI PC BOARD	R-6042-054-1R	1	X		
20	REMOTE SOCKET	1158-641-149R	1	X		
21	QUICK CONNECTOR FEMALE	0744-000-152R	4	X		
22	FOOT	1373-184-009R	1	X		
23	DINSE SOCKET	C-2986-001-3R	1	X		
24	EURO SLEEVE	1361-559-708R	1	X		
25	EURO SOCKET	R-8040-210-1R	1	X		
28	MOTOR	R-8040-024-2R	1	X		
32	DIVIDER	R-1012-268-1R	1	X		
33	WASHER	R-1019-147-1R	1	X		
34	WIRE FEEDER	0744-000-238R	1	X		
35	SWITCH	1158-650-022R	1	X		
38	ROTAMETER	0943-719-003R	1	X		
39	RIGHT PANEL	R-1012-262-1R	1	X		
40	LOCK	0654-610-004R	1	X		
44	MALE SOCKET	1158-641-110R	1	X		
45	QUICK CONNECTOR	0744-000-149R	1	X		
46	SOCKET	D-2985-002-1R	1	X		

