

**BESTER 151 I, BESTER 181 I, BESTER 210 I**

ASSEMBLY PAGE NAME		Machine Assembly Bester 151 I	Machine Assembly Bester 181 I	Machine Assembly Bester 210 I				
CODE NO.:	FIGURE NO.:	A	B	C				
52087	BESTER 151 I	1						
52088	BESTER 181 I		1					
52089	BESTER 210 I			1				

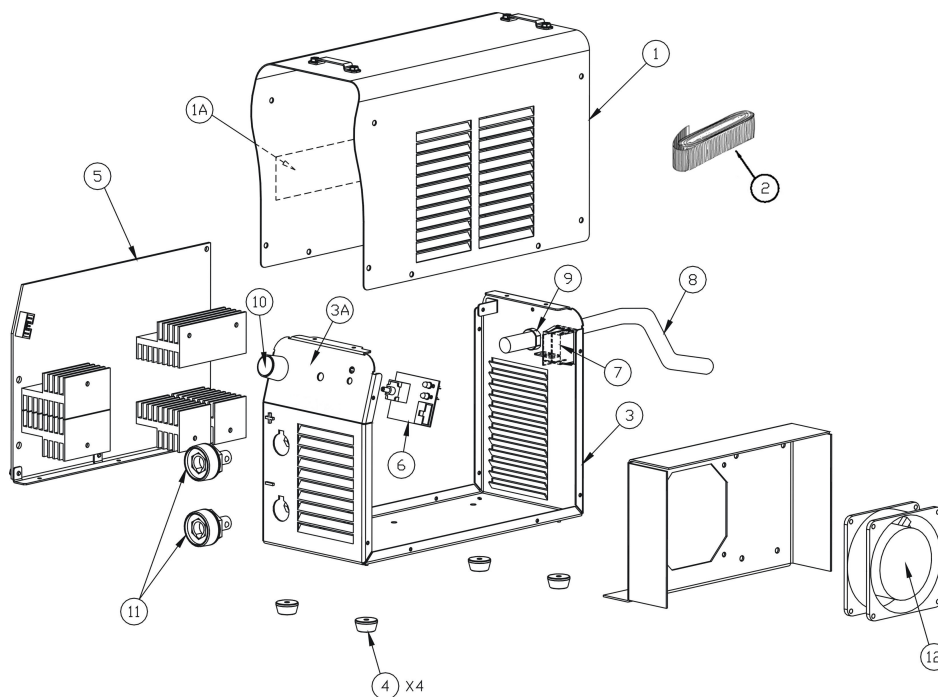


Figure A

**Figure A: Machine Assembly**

Item	Description	Part Number	QTY	1	2	3	4	5	6
1	Wraparound	W93X0924R	1	X					
1A	+ Side Nameplate	W07X1102R	1	X					
2	Carrying Strap	W9200150R	1	X					
3	Main Frame (with internal sheet metals)	W93X0928R	1	X					
3A	+ Front Nameplate	W07X1099R	1	X					
4	Anti-Slip Foot	W8602311R	4	X					
5	Inverter P.C. Board	W05X0908R	1	X					
6	Control P.C. Board	W05X0906R	1	X					
7	Input Switch	W7516224R	1	X					
8	Input Cable CE	W78X0930R	1	X					
9	Cable Clamp	W8400037R	1	X					
10	Knob Kit	W8700022R	1	X					
11	Output Dinse Connector	W7600036R	2	X					
12	Fan	W7200010R	1	X					

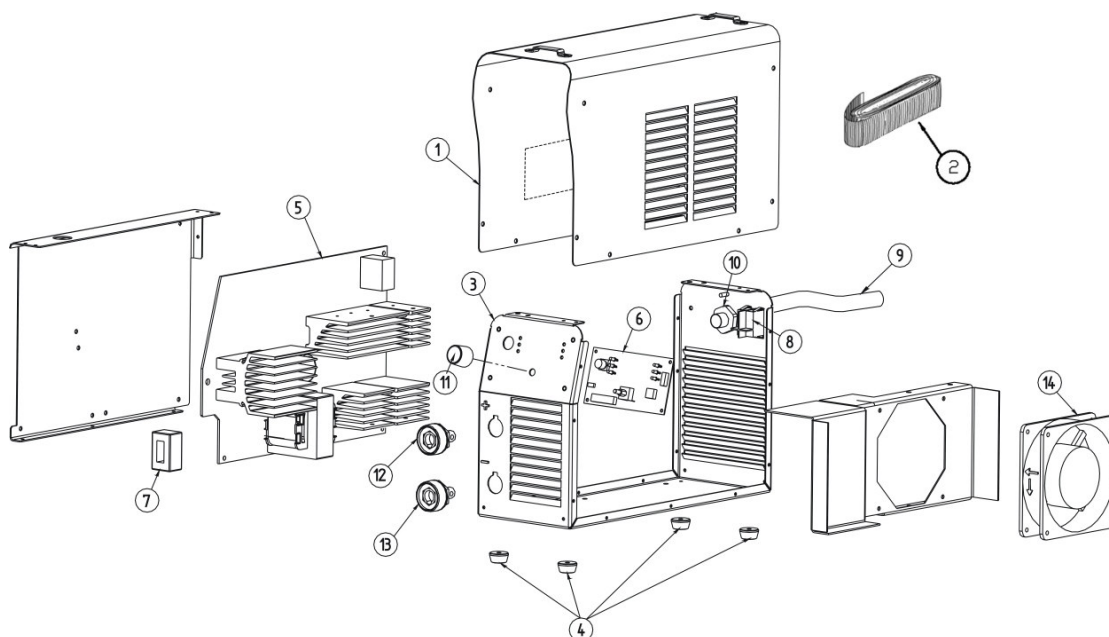


Figure B

**Figure B: Machine Assembly**

Item	Description	Part Number	QTY	1	2	3	4	5	6
1	Wraparound	W93X1085R	1	X					
1A	+ Side Nameplate	W07X1102R	1	X					
2	Carrying Strap	W9200150R	1	X					
3	Main Frame	W93X1084R	1	X					
3A	+ Front Nameplate	W07X1100R	1	X					
4	Anti-Slip Foot	W8602311R	4	X					
5	Inverter P.C. Board	W05X1064R	1	X					
6	Control P.C. Board	W05X1088R	1	X					
7	Hall Sensor	W4900003R	1	X					
8	Input Switch	W7516224R	1	X					
9	Input Cable CE	W78X0248R	1	X					
10	Cable Clamp	W8400006R	1	X					
11	Knob Kit	W8700022R	1	X					
12	Output Dinse + Connector	W7600037R	1	X					
13	Output Dinse – Connector	W7600025R	1	X					
14	Fan	W7200014R	1	X					

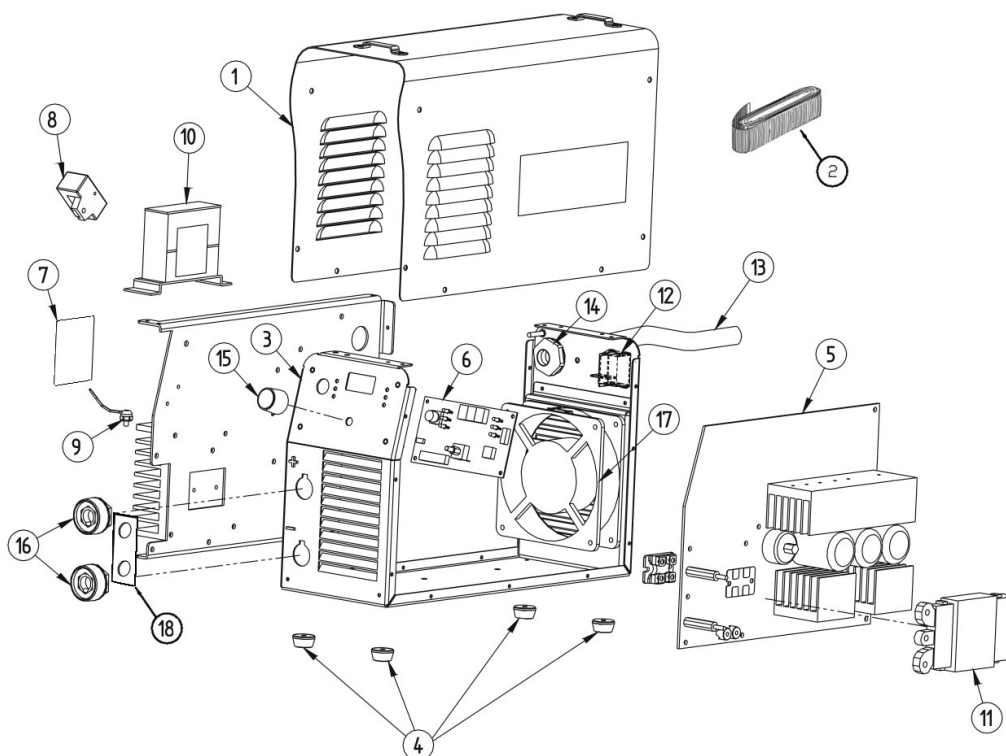


Figure C

**Figure C: Machine Assembly**

Item	Description	Part Number	QTY	1	2	3	4	5	6
1	Wraparound	W93X0925R	1	X					
1A	+ Side Nameplate	W07X1102R	1	X					
2	Carrying Strap	W9200150R	1	X					
3	Main Frame	W93X0929R	1	X					
3A	+ Front Nameplate	W07X1101R	1	X					
4	Anti-Slip Foot	W8602311R	4	X					
5	Inverter P.C. Board	W05X0909R	1	X					
6	Control P.C. Board	W05X0907R	1	X					
7	Input Filter	W05X1220R	1	X					
8	Hall Sensor	W4900003R	1	X					
9	Thermostat Sensor	W9600081R	1	X					
10	Out Inductor	W58X1182R	1	X					
11	Power Transformer	W59X0988R	1	X					
12	Input Switch	W7516224R	1	X					
13	Input Cable CE	W78X1087R	1	X					
14	Cable Clamp	W8400006R	1	X					
15	Knob Kit	W8700022R	1	X					
16	Output Dinse Connector	W7600025R	2	X					
17	Fan	W7200013R	1	X					
18	Output Filter	W05X1221R	1	X					