

BESTER 141+ (B18204-2)

MACHINE ASSEMBLY NAME		Machine Assembly				
CODE NO.:	FIGURE NO.:	A				
B18204-2	BESTER 141+	1				

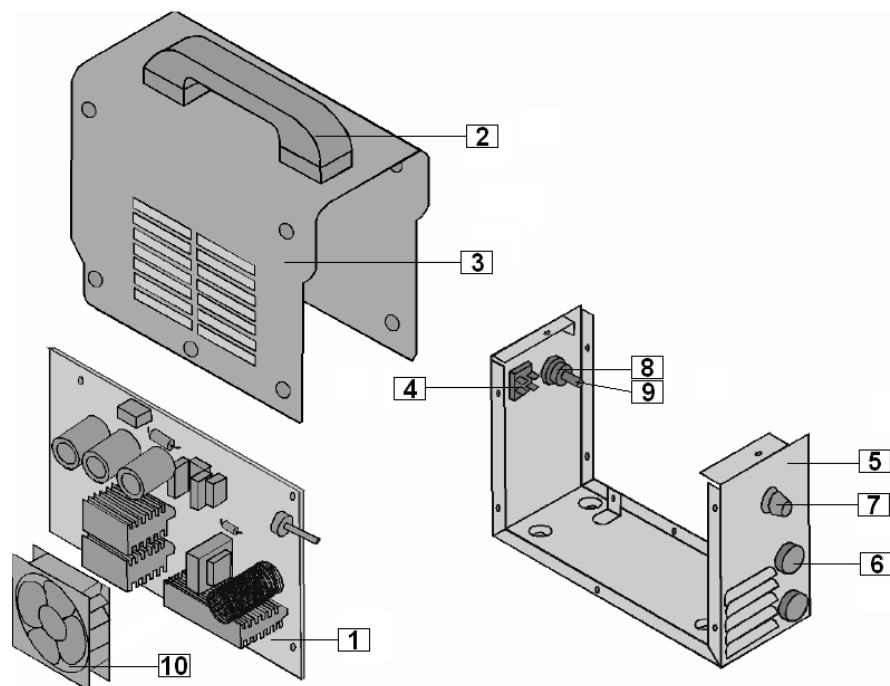


Figure A

Figure A: Machine Assembly

Pos	Description	Indeks	Qty
1	PC Board before 07.2007	0744-190-002R	1
	PC Board after 07.2007	0744-190-012R	
2	Handle	0744-190-003R	1
3	Cover	0744-190-004R	1
4	Main switch	0744-190-005R	1
5	Bottom panel	0744-190-013R	1
6	Welding socket	0744-190-007R	2
7	Knob	0744-190-008R	1
8	Muff of supply cable	0744-190-010R	1
9	Supply cable	0744-190-009R	1
10	Fan	0744-190-011R	1

NOT ILLUSTRATED PARTS

B10620-1	Welding Cable with the Holder – 3 m
B10622-1	Welding Cable with the Work Clamp – 3 m
D-5578-165-1R	Mains Cable with the Plug – 2.5 m