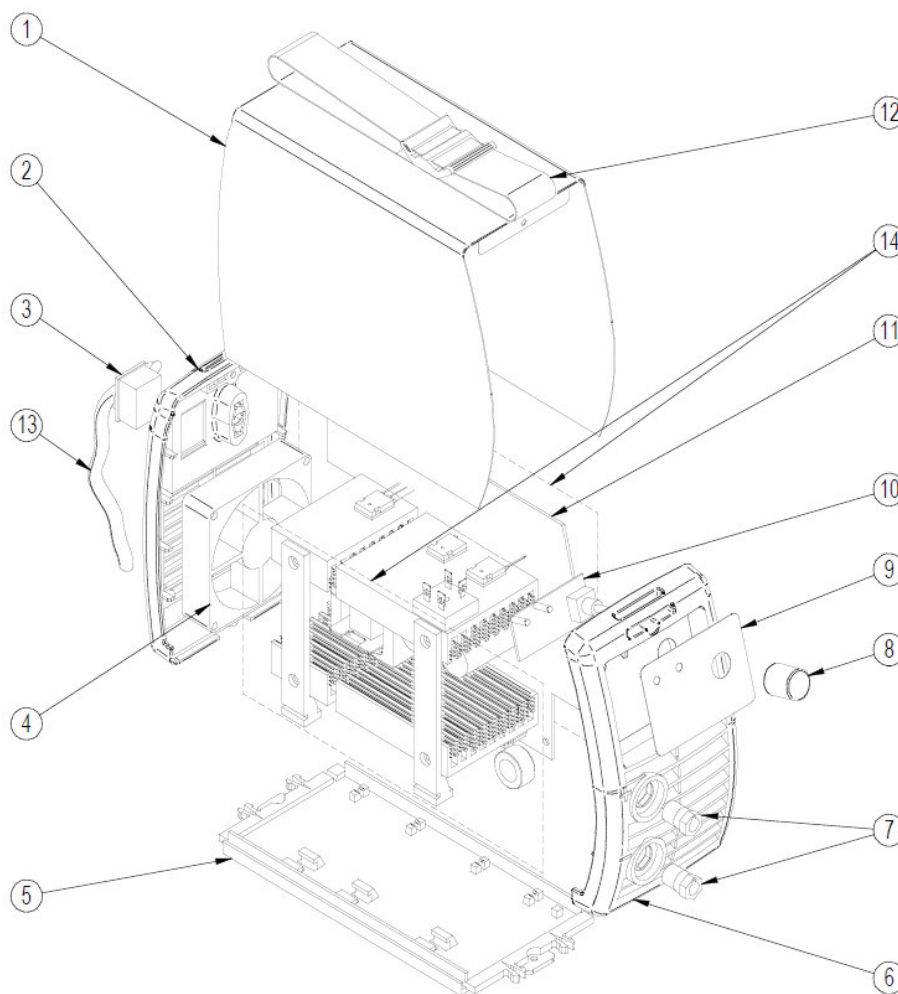
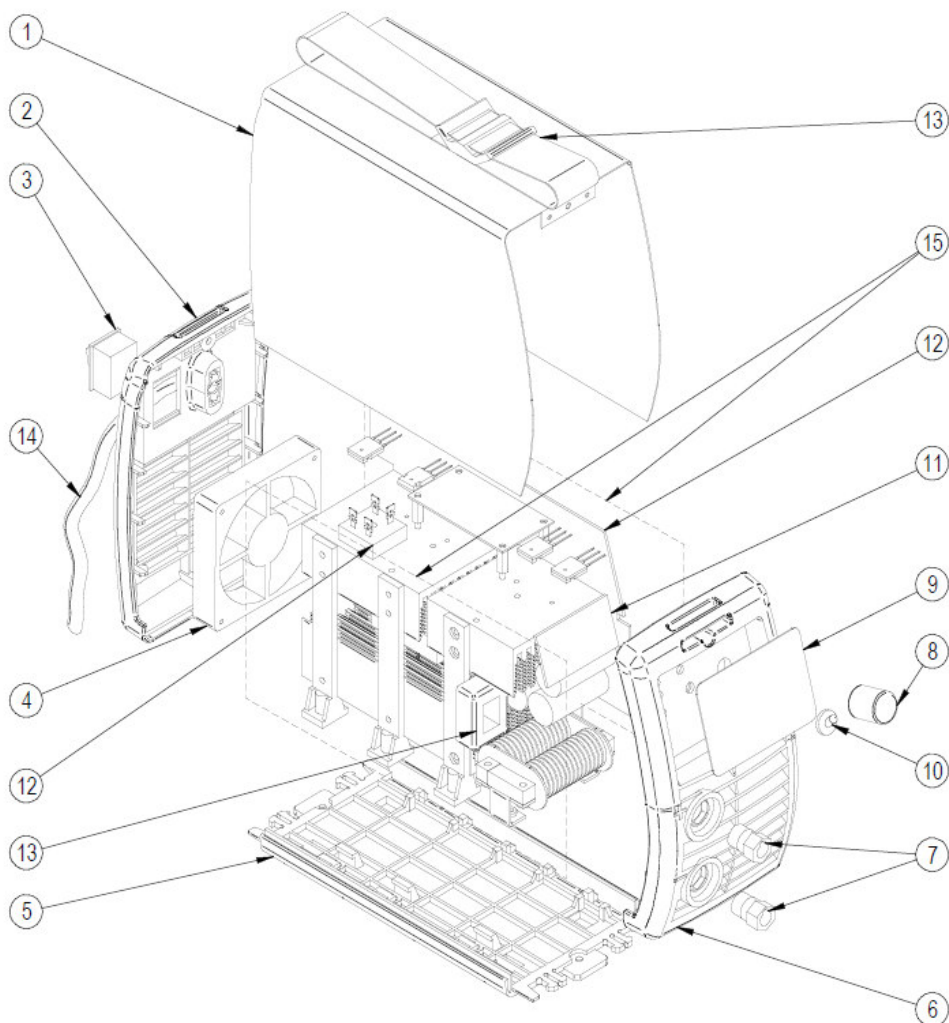


BESTER 130i-S, BESTER 160i-ST, BESTER 200i-ST

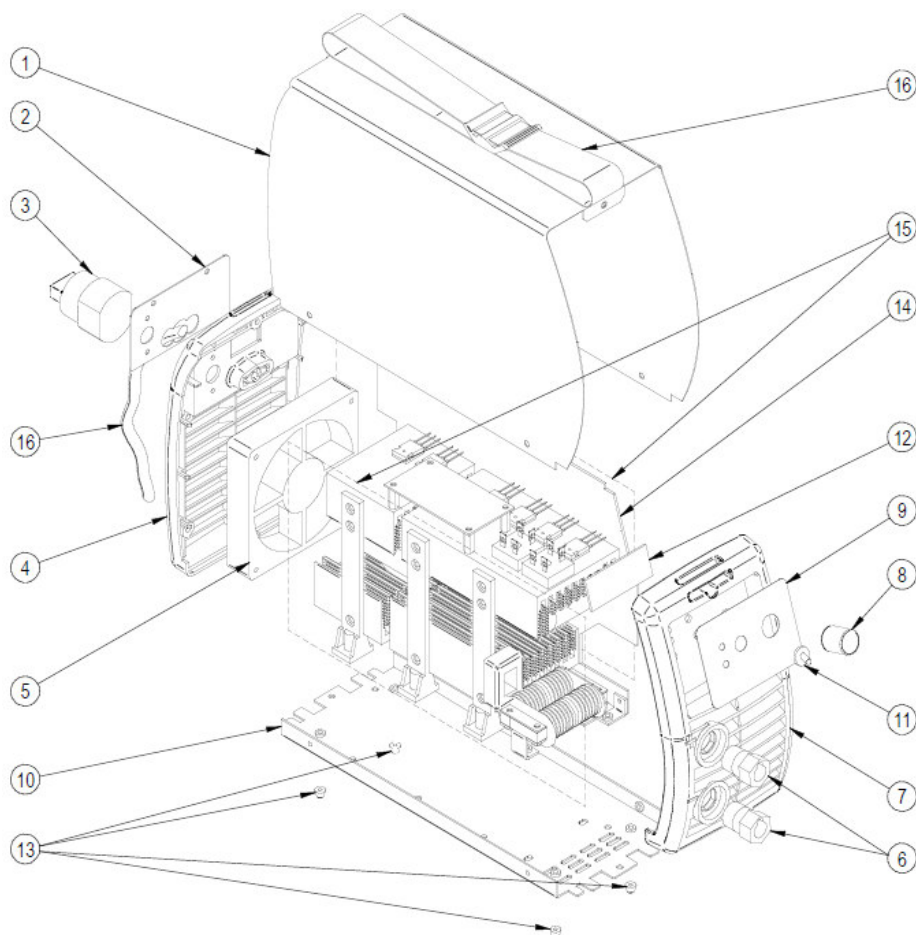
| ASSEMBLY PAGE NAME | | Machine Assembly | | |
|--------------------|----------------|------------------|---|---|
| CODE NO.: | FIGURE NO.: | A | B | C |
| 76106 | BESTER 130i-S | 1 | | |
| 76107 | BESTER 160i-ST | | 1 | |
| 76108 | BESTER 200i-ST | | | 1 |


Figure A

| Item | Part Number | Part Number | Qty | 1 | 2 |
|------|-------------------------------------|-------------|-----|---|---|
| 1 | Machine Cover | L15712-6 | 1 | X | |
| 2 | Rear Panel | L15715 | 1 | X | |
| 3 | Water-Proof Switch | S26343-1 | 1 | X | |
| 4 | Fan Assembly | M22416 | 1 | X | |
| 5 | Bottom Panel | L15713 | 1 | X | |
| 6 | Front Panel | L15714 | 1 | X | |
| 7 | 10-25mm ² Socket | M22415 | 2 | X | |
| 8 | Knob Kit | T10491-4 | 1 | X | |
| 9 | Name Plate | M21801-10 | 1 | X | |
| 10 | Control PCB (Front Panel) | M22417 | 1 | X | |
| 11 | Power System | L15716-8-A | 1 | X | |
| 12 | Strap and Buckle | S28410 | 1 | X | |
| 13 | Euro Power Cable with plug Assembly | M22414-6 | 1 | X | |
| 14 | Insulation Piece | S28411 | 2 | X | |


Figure B

| Item | Part Number | Part Number | Qty | 1 | 2 |
|------|-------------------------------------|-------------|-----|---|---|
| 1 | Machine Cover | L15712-7 | 1 | X | |
| 2 | Rear Panel | L15715-2 | 1 | X | |
| 3 | Water-Proof Switch | S26343-2 | 1 | X | |
| 4 | Fan Assembly | M22416-2 | 1 | X | |
| 5 | Bottom Plate | L15713-2 | 1 | X | |
| 6 | Front Panel | L15714-2 | 1 | X | |
| 7 | 35-70 mm ² Socket | M22415-2 | 2 | X | |
| 8 | Knob Kit | T10491-4 | 1 | X | |
| 9 | Name Plate | M21801-11 | 1 | X | |
| 10 | Water-Proof Cap | L15716-9-A | 1 | X | |
| 11 | Front PCB Ass-y | L15716-9-B | 1 | X | |
| 12 | Power System | L15716-9-C | 1 | X | |
| 13 | Strap and Buckle | S28410 | 1 | X | |
| 14 | Euro power Cable with Plug Assembly | M22414-8 | 1 | X | |
| 15 | Insulation Piece | S28411-2 | 2 | X | |


Figure C

| Item | Part Number | Part Number | Qty | 1 | 2 |
|------|-------------------------------------|-------------|-----|---|---|
| 1 | Machine Cover | L15712-8 | 1 | X | |
| 2 | Rear Blanking Plate | L15741-2 | 1 | X | |
| 3 | Wheel Switch | S26343-3 | 1 | X | |
| 4 | Rear Panel | L15715-2 | 1 | X | |
| 5 | Fan Assembly | M22416-2 | 1 | X | |
| 6 | 35-70 mm ² Socket | M22415-2 | 2 | X | |
| 7 | Front Panel | L15714-2 | 1 | X | |
| 8 | Knob Kit | T10491-4 | 1 | X | |
| 9 | Name Plate | M21801-12 | 1 | X | |
| 10 | Bottom Plate | L15716-10-A | 1 | X | |
| 11 | Water- Proof Cap | L15716-9-A | 1 | X | |
| 12 | Front PCB | L15716-9-B | 1 | X | |
| 13 | Foot | L15716-10-B | 4 | X | |
| 14 | Power System | L15716-10-C | 1 | X | |
| 15 | Insulation Piece | S28411-4 | 2 | X | |
| 16 | Strap and Buckle | S28410 | 1 | X | |
| 17 | Euro Power Cable with Plug Assembly | M22414-7 | 1 | X | |