

HOT ROD 500S (50201)

ASSEMBLY PAGE NAME			Machine Assembly	Machine Assembly	Miscellaneous items	
CODE NO.:	K NO.:	FIGURE NO.:	A	B	-	
50201	K14089-1	HOT ROD 500S	1	1	1	

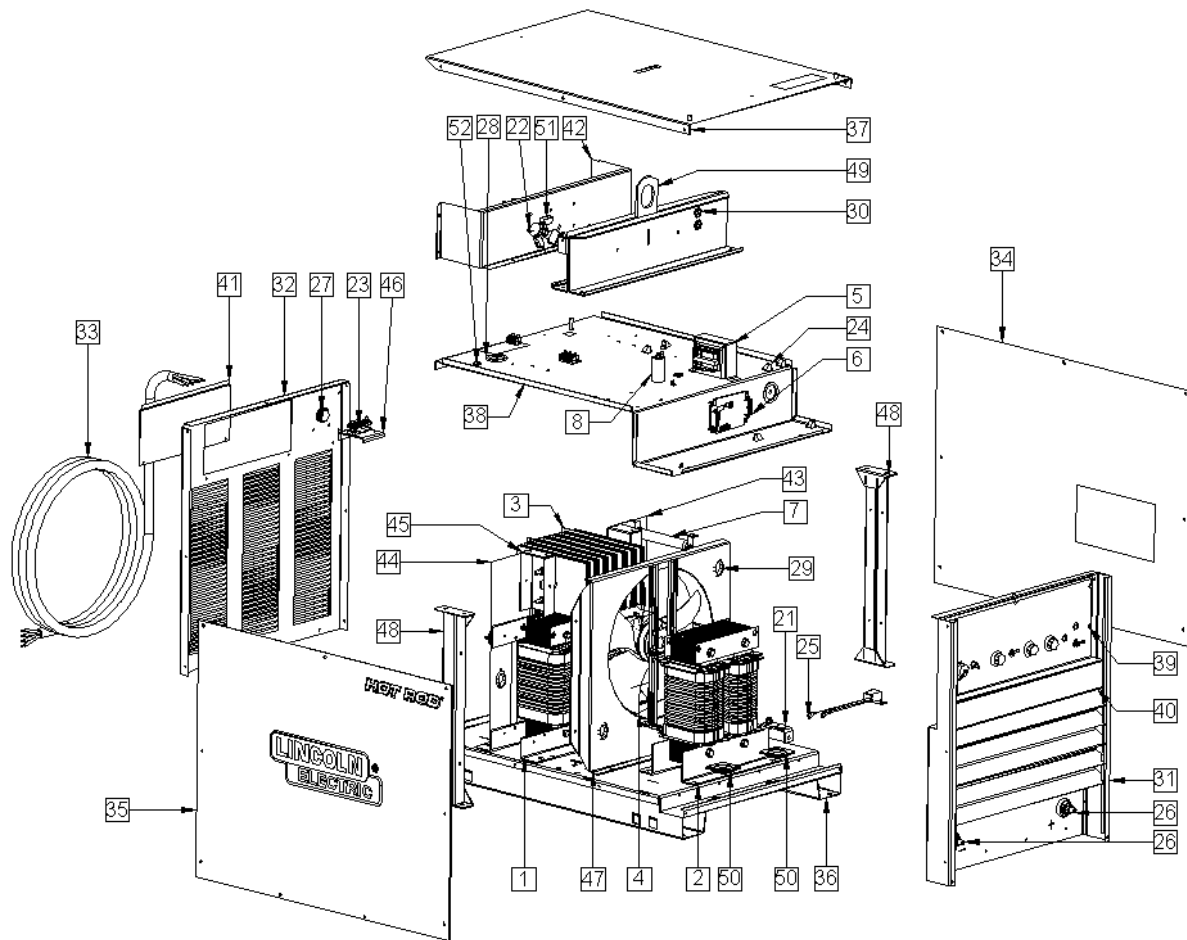


Figure A

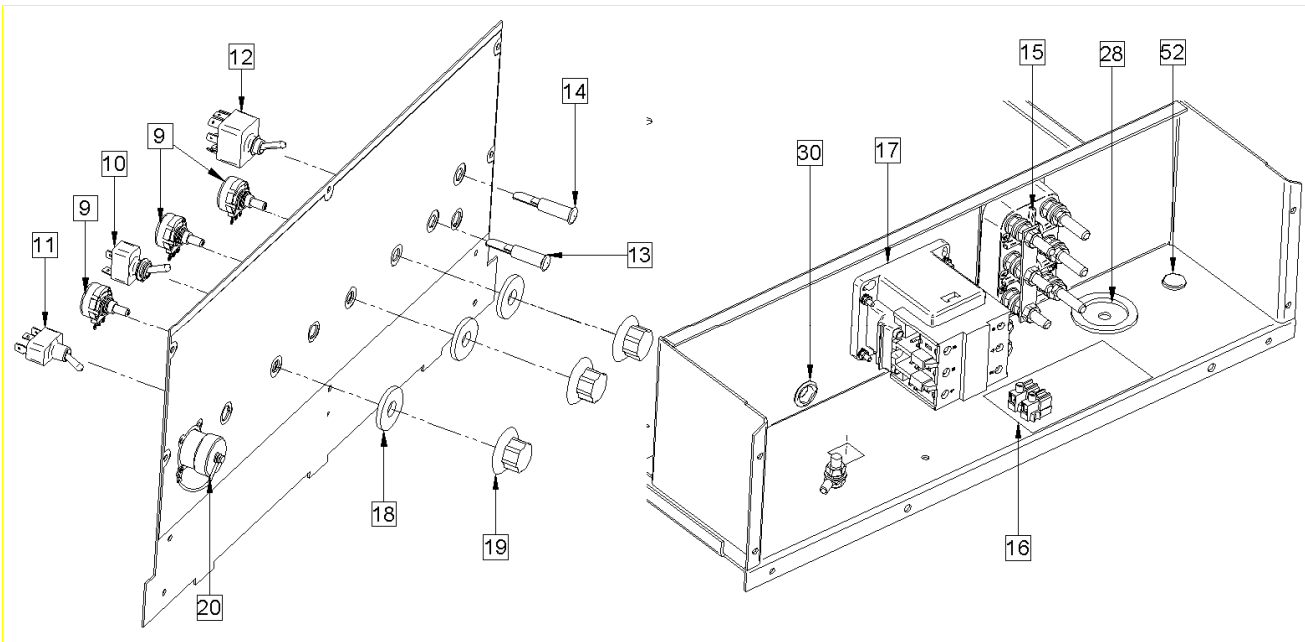


Figure B

Figure A, B: Machine Assembly

Item	Description	Part Number	QTY	1	2	3	4	5
1	TRANSFORMER T1	R-4034-111-1R	1	X				
2	CHOKE L1	R-4034-112-1R	1	X				
	TEMPERATURE SENSOR 160°C	1115-769-112R	1	X				
3	RECTIFIER SET V (PTT650D)	R-0010-099-3R	1	X				
	TEMPERATURE SENSOR 80°C	1115-769-016R	1	X				
4	FAN M1	R-8040-150-2R	1	X				
	DISTANCE SLEEVE	R-2010-009-1R	4	X				
5	AUXILIARY TRANSFORMER	R-4034-136-1R	1	X				
6	PC BOARD	R-6042-011-3R	1	X				
7	RESISTOR ASSEMBLED	1158-112-700R	1	X				
8	CAPACITOR	1158-121-000R	1	X				
9	POTENTIOMETER	1158-113-013R	3	X				
10	SWITCH S3	1158-650-021R	1	X				
11	SWITCH S2	1158-650-023R	1	X				
12	SWITCH S1	1158-650-028R	1	X				
13	LAMP H1	0917-421-042R	1	X				
14	LAMP H2	0917-421-080R	1	X				
15	TERMINAL BLOCK X5	1361-599-255R	1	X				
16	LABEL	R-0010-365-1R	1	X				
17	CONTACTOR K1	1115-212-243R	1	X				
18	WASHER	0744-200-041R	3	X				
19	KNOB (Ø38)	9ET10491R	3	X				
20	CAP-CABLE CONECTOR	1158-641-128R	1	X				
21	SHUNT	0941-712-031R	1	X				
22	STAND-OFF INSULATOR	1361-599-602R	1	X				
23	CLAMP	1361-599-620R	2	X				
24	FIXING ELEMENT	1119-510-004R	8	X				
25	FILTER	R-0010-376-1R	1	X				
26	SOCKET	R-8040-272-1R	2	X				
27	CABLE BUSH	1361-599-250R	1	X				
28	RUBBER CABLE BUSH	1361-599-131R	1	X				
29	RUBBER CABLE BUSH	1373-111-331R	6	X				
30	RUBBER CABLE BUSH	1373-182-002R	5	X				

31	FRONT PANEL	R-3019-234-1R	1	X					
32	REAR PANEL	R-1019-259-1/02R	1	X					
33	INPUT CABLE WITHOUT PLUG 5M	R-5041-121-2R	1	X					
34	LEFT SIDE PANEL	R-1019-267-1R	1	X					
	LABEL	R-0010-381-1R	1	X					
35	RIGHT SIDE PANEL	R-1019-268-1R	1	X					
36	BASE	R-3019-233-1/08R	1	X					
37	ROOF	R-3019-240-1/02R	1	X					
	LABEL	2719-107-698R	1	X					
38	SHELF	R-3019-239-1/02R	1	X					
	LABEL (GROUND)	R-0010-260-1R	1	X					
39	CONTROL PANEL	R-3019-238-1/08R	1	X					
	LABEL	R-0010-379-1R	1	X					
40	BRACKET	R-1012-448-1/02R	1	X					
	LABEL	R-0010-380-1R	1	X					
41	ACCESS PANEL COVER	R-1019-261-1/02R	1	X					
42	INPUT BOX	R-1019-263-1/02R	1	X					
43	AIR DEFLECTOR	R-1019-266-1/08R	1	X					
44	AIR DEFLECTOR	R-1019-266-2/08R	1	X					
45	RECTIFIER BRACKET	R-1019-265-1/08R	2	X					
46	CABLE BUSH BRACKET	R-3019-085-1/08R	1	X					
47	FAN DIVIDER	R-3019-235-1/08R	1	X					
48	BRACKET	R-3019-246-1/08R	2	X					
49	LIFTING EYE BRACKET	R-3019-236-1/08R	1	X					
50	CABLE BUSHING	R-2013-092-1R	2	X					
51	CAPACITOR C2, C3, C4	1158-125-373R	3	X					
52	HOLE PLUG	1361-599-197R	2	X					

Miscellaneous Items (not showed in figure A, B)

Item	Description	Part Number	QTY	1	2	3	4	5
	WIRING HARNESS (PRIMARY)	R-5041-218-1R	1	X				
	WIRING HARNESS (SECONDARY)	R-5041-219-1R	1	X				
	HIGH CURRENT LEADS	R-5041-220-1R	1	X				