

POWERTEC 365S, 425S & 505S

Assembly			Figure		
Code NO.	K NO.	Product Name	A	B	C
50149	K14061-2A	POWERTEC 365S	1	1	1
50151	K14062-2A	POWERTEC 425S	2	2	2
50153	K14063-2A	POWERTEC 505S	3	3	3

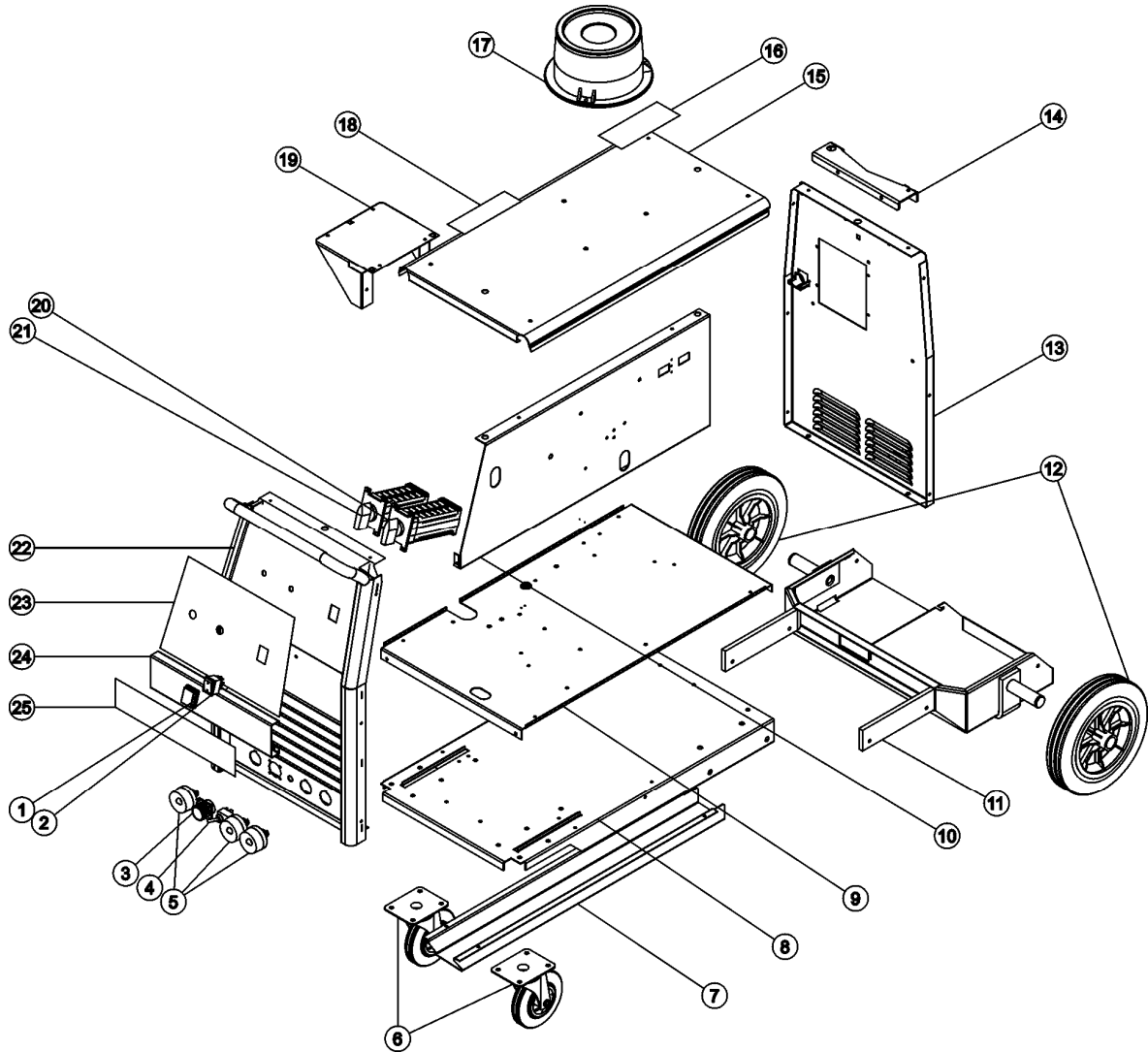


Figure A

Figure A

No.	Description	Index	Qty.	1	2	3
1	BLACK FRAME SHIELD	1115-299-073R	1	x	x	x
2	SWITCH	1115-270-019R	1	x	x	x
3	FEMALE SOCKET	1158-641-130R	1	x	x	x
4	SWITCH	1158-650-023R	1	x	x	x
5	SOCKET	C-2986-001-3R	3	x	x	x
6	CASTER DIA	1029-660-127R	2	x	x	x
7	SUPPORT	R-1019-160-1/08R	1	x	x	x
8	BASE	R-1019-150-1/08R	1	x	x	x
9	SHELF	R-3019-142-1/08R	1	x	x	x
10	DIVIDER	R-3019-143-1/08R	1	x	x	x
11	SHELF	R-3019-026-1/08R	1	x	x	x
12	WHEEL	1029-660-250R	2	x	x	x
13	BACK PANEL	R-3019-144-1/08R	1	x	x	x

14	SUPPORT	R-1019-153-1/08R	1	X	X	X
15	COVER	R-1019-164-1/02R	1	X	X	X
16	STICKER	R-0010-279-1R	1	X	X	X
17	ROTARY BRACKET	1361-598-181R	1	X	X	X
18	STICKER	2719-107-728R	1	X	X	X
19	BRACKET	R-3019-093-1/08R	1	X	X	X
20	CAM SWITCH	1115-260-074R	1	X	X	*
	CAM SWITCH	1115-260-224R	1	*	*	X
21	CAM SWITCH	1115-260-073R	1	X	X	*
	CAM SWITCH	1115-260-223R	1	*	*	X
22	FRONT PANEL	R-3019-145-1/08R	1	X	X	X
23	STICKER	R-0010-218-1R	1	X	X	X
24	COVER	R-1019-161-1/02R	1	X	X	X
25	STICKER	R-0010-234-1R	1	X	*	*
	STICKER	R-0010-235-1R	1	*	X	*
	STICKER	R-0010-236-1R	1	*	*	X

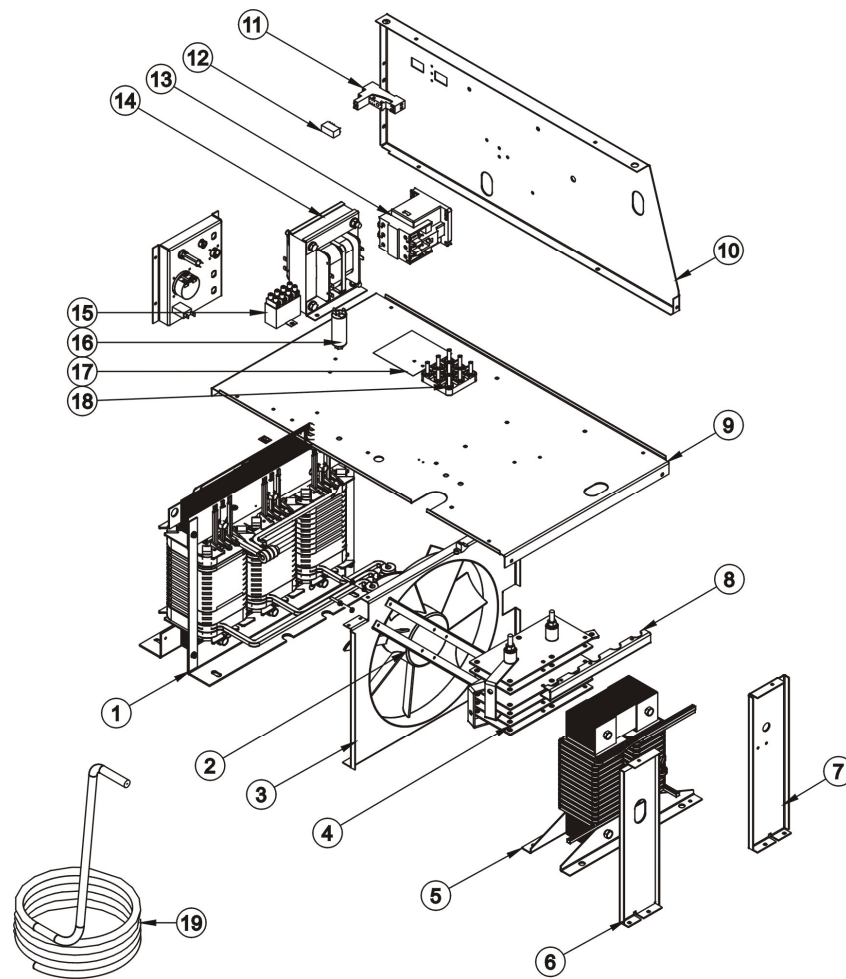


Figure B

Figure B

No.	Description	Index	Qty.	1	2	3
1	TRANSFORMER	R-4034-092-1R	1	X	*	*
	TRANSFORMER	R-4034-093-1R	1	*	X	*
	TRANSFORMER	R-4034-094-1R	1	*	*	X
2	FAN	R-8040-055-3R	1	X	X	X
3	PARTITION	R-3019-135-1/08R	1	X	X	X
4	3-PHASE RECTIFIER	R-0010-241-1R	1	X	*	*
	3-PHASE RECTIFIER	R-0010-242-1R	1	*	X	*
	3-PHASE RECTIFIER	R-0010-243-1R	1	*	*	X

5	CHOKE	R-4034-091-1/85R	1	x	x	x
6	BRACKET	R-1019-176-2/08R	1	x	x	x
7	BRACKET	R-1019-176-1/08R	1	x	x	x
8	BRACKET	R-1019-175-1/08R	1	x	x	x
9	SHELF	R-3019-142-1/08R	1	x	x	x
10	DIVIDER	R-3019-143-1/08R	1	x	x	x
11	RELAY BASE	1158-632-017R	1	x	x	x
12	RELAY	0918-412-065R	1	x	x	x
13	CONTACTOR CI-42	1115-212-242R	1	x	x	*
	CONTACTOR CI-50	1115-212-243R	1	*	*	x
14	TRANSFORMER	C-4244-384-1R	1	x	x	x
15	RC-FILTER	0874-400-011R	1	x	x	x
16	CAPACITOR	1158-121-001R	1	x	x	x
17	STICKER	R-0010-287-1R	1	x	x	x
18	TERMINAL BLOCK	0744-000-069R	1	x	x	x
19	POWER CABLE	D-5578-171-2R	1	x	*	*
	POWER CABLE	D-5578-171-3R	1	*	x	x

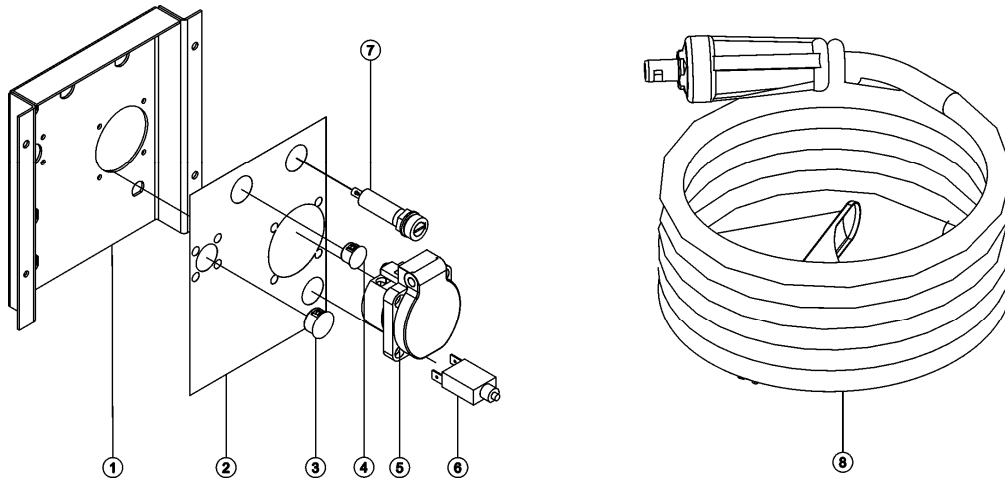


Figure C.

Figure C

No.	Description	Index	Qty.	1	2	3
1	PANEL	R-1019-157-1/08R	1	x	x	x
2	STICKER	R-0010-239-1R	1	x	x	x
3	HOLE PLUG	1361-559-058R	1	x	x	x
4	HOLE PLUG	1119-510-005R	1	x	x	x
5	SOCKET 1-PHASE	1131-222-004R	1	x	x	x
6	FUSE HOUSING	1115-299-027R	1	x	x	x
7	FUSE SOCKET	1158-632-032R	1	x	x	x
8	WELDING CABEL	D-5578-176-4R	1	x	x	*
	WELDING CABEL	R-5041-024-1R	1	*	*	x

Miscellaneous item (not showed in figure A,B,C)

No.	Description	Index	Qty.	1	2	3
1	WIRNING HARNESS A (PRIMARY)	R-5041-142-2R	1	x	x	x
2	WIRNING HARNESS A (PRIMARY)	R-5041-143-2R	1	x	x	x
3	WIRNING HARNESS (SECONDARY)	R-5041-159-1R	1	x	x	x
4	WIRNING HARNESS	R-5041-157-1R	1	x	x	x

