

LINC FEED 45S

ASSEMBLY PAGE NAME			Wire Feeder Assembly LF 45S		
CODE NO.:	K NO.:	FIGURE NO.:	A		
50213	K14083-1	LINC FEED 45S	1		

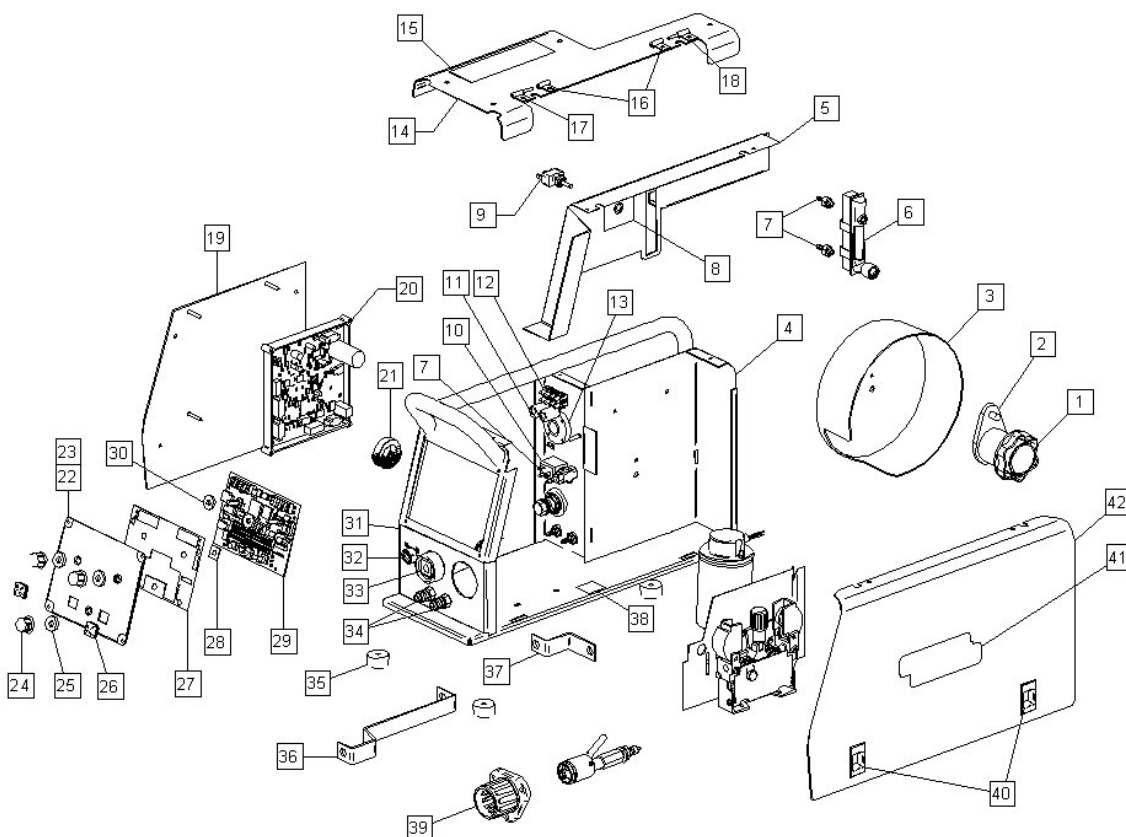


Figure A. Wire Feeder Assembly

Item	Description	Part Number	QTY	1	2	3	4	5
1	NUT PLASTIC	0646-231-044R	1	x				
2	REEL HUB STANDARD	0646-231-043R	1	X				
3	SPOOL COVER	R-0010-229-1R	1	X				
4	RACK	R-3019-215-1/08R	1	X				
5	DIVIDER	R-1019-255-1/08R	1	X				
6	ROTAMETER	0943-719-003R	1	X				
7	COUPLER	R-2013-060-1R	3	X				
8	STICKER	R-0010-282-1R	1	X				
9	SWITCH	1158-650-022R	1	X				
10	GAS SOLENOID	0972-423-038R	1	X				
11	FERRITE CORE	1158-290-036R	7	X				
12	TERMINAL BLOCK	1131-990-005R	4	X				
13	ALU RING	R-2013-032-1R	1	X				
14	TOP PANEL	R-1012-266-1/02R	1	X				
15	WARNING STICKER	2719-107-728R	1	X				
16	HINGLE	D-2541-004-2/02R	2	X				

17	HINGLE ASSEMBLY	D-3574-011-3/02R	1	X				
18	HINGLE ASSEMBLY	D-3574-011-4/02R	1	X				
19	LEFT SIDE PANEL	R-3019-216-1/02R	1	X				
20	CONTROL PC BOARD	R-6042-053-1R	1	X				
21	CHOKE	R-5041-228-1R	1	X				
22	PLATE	R-3019-170-1/08R	1	X				
23	STICKER	R-0010-285-1R	1	X				
24	KNOB	9ET13639-3R	3	X				
25	PROTECTION WASHER	0744-200-108R	3	X				
26	RUBBER BUTTON	1373-182-005R	2	X				
27	SHIELD PLATE	R-8040-298-1R	1	X				
28	ISOLATOR	R-0010-440-1R	1	X				
29	UI PC BOARD	R-6042-054-1R	1	X				
30	RUBBER SPACER	C-1661-008-1R	2	X				
31	STICKER	R-0010-363-1R	1	X				
32	REMOTE SOCKET	1158-641-149R	1	X				
33	DINSE SOCKET	C-2986-001-3R	1	X				
34	QUICK CONNECTOR FEMALE	0744-000-152R	2	X				
35	FOOT	1373-184-009R	4	X				
36	CONTACT RAIL	R-1010-048-1R	1	X				
37	CONTACT RAIL	R-1010-047-1R	1	X				
38	STICKER	2719-107-732R	1	X				
39	EURO SLEEVE	1361-599-708R	1	X				
40	LOCK	0654-610-004R	2	X				
41	STICKER	R-0010-215-1R	2	X				
42	RIGHT SIDE PANEL	R-1012-262-1/02R	1	X				
43	HARNESS (NOT SHOWN)	R-5041-252-1R	1	X				
44	HARNESS (NOT SHOWN)	R-5041-171-1R	1	X				
45	FILTER (NOT SHOWN)	R-5041-202-2R	1	X				

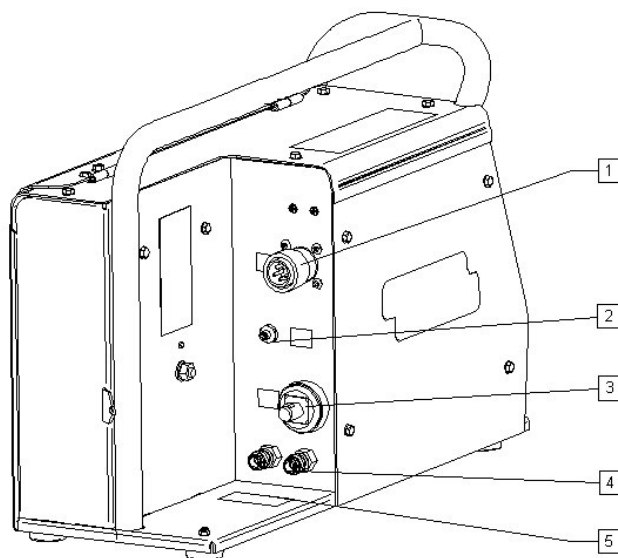


Figure B

Figure B. Wire Feeder Assembly

Item	Description	Part Number	QTY	1	2	3	4	5
1	SOCKET MALE	1158-641-110R	1	X				
2	QUICK GAS CONNECTOR	0744-000-149R	1	X				
3	SOCKET	D-2985-002-1R	1	X				
4	QUICK CONNECTOR FEMALE	0744-000-152R	2	X				
5	STICKER	R-0010-290-1R	1	X				

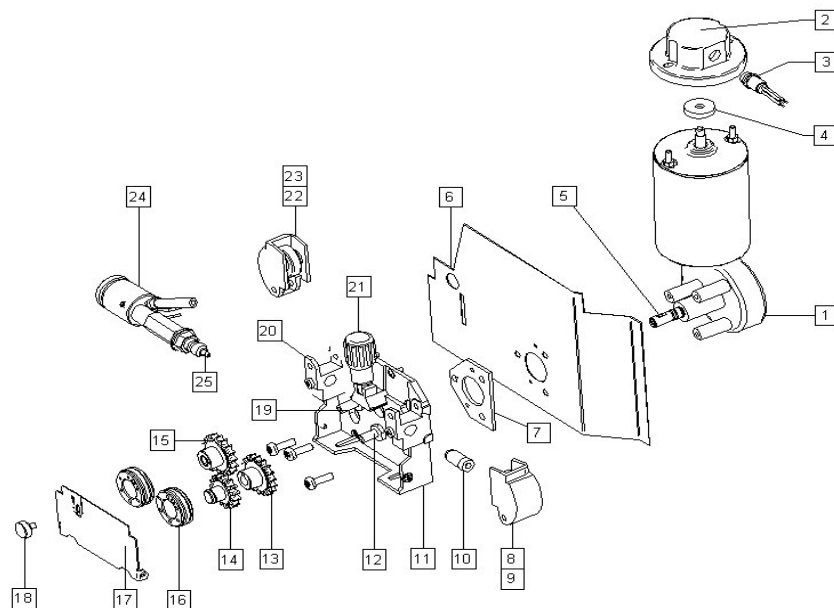


Figure C

Figure C. Wire Drive Assembly LF 45S

Item	Description	Part Number	QTY	1	2	3	4	5
1	MOTOR COMPL. Including	R-8040-024-2R	1	X				
2	TACHO CAP	0744-200-008R	1	X				
3	HALL SENSOR	0943-719-008R	1	X				
4	MAGNETIC RING	0943-719-005R	1	X				
5	WOODROF KEY	0646-231-102R	1	X				
6	DIVIDER	R-1012-268-1/08R	1	X				
7	WASHER	R-1019-147-1/08R	1	X				
	WIRE DRIVE ASSEMBLY INCLUDING:	0744-000-238R	1	X				
8	SPRING PRESSURE ARM	0646-233-049R	1	X				
9	PRESSURE ARM ASSEMBLY	0646-233-048R	1	X				
10	INTEL GUIDE	0744-000-188R	1	X				
11	FEED PLATE	0744-000-178R	1	X				
12	AXIS GEAR WHELL	0646-233-040R	1	X				
13	GEAR WHEEL MOTOR	0646-231-088R	1	X				
14	GEAR WHEEL	0646-231-089R	1	X				
15	GEAR WHEEL ROLL	0646-231-090R	1	X				
16	DRIVE ROLLS	SEE ACCESSORIES	2	X				
17	METAL COVER	0646-233-045R	1	X				
18	FIXING CAP	0646-231-091R	1	X				
19	AXIS DRIVE ROLL I	0646-233-039R	2	X				
20	AXIS PRESSURE ARM	0646-233-043R	2	X				
21	FIXING ARM COMPL.	0646-233-015R	1	X				
22	SPRING PRESSURE ARM	0646-233-041R	1	X				
23	PRESSURE ARM ASSEMBLY	0646-233-042R	1	X				
24	EURO SOCKET	R-8040-210-1R	1	X				
25	OUTLET GUIDE	R-2010-006-1R	1	X				

