

ASSEMBLY PAGE NAME			Machine Assembly	B
CODE NO.:	K No.:	FIGURE NO.:		
76120	K69015-1	BESTER 135i-S	1	
76119	K69014-1	BESTER 165i-ST		1

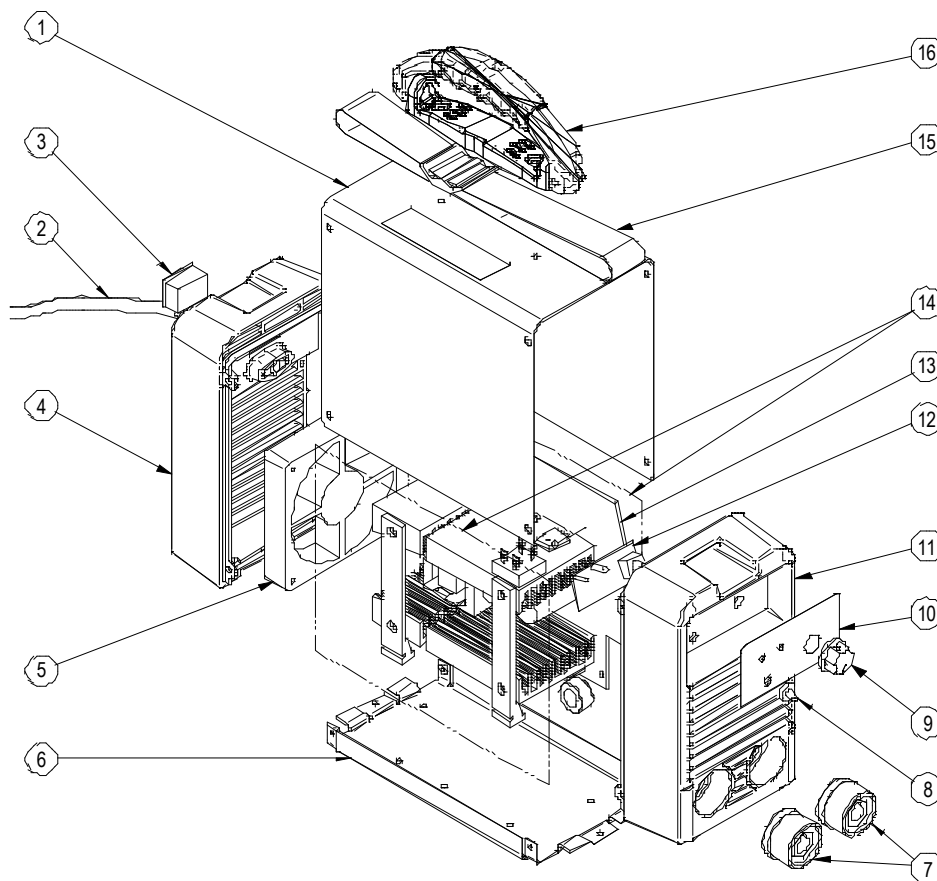


FIGURE A – Bester 135i-S

Item	Part Number	Part Name	Qty
1	L15712-14	Machine Cover	1
2	M22414-6	Euro power Cable with plug Ass-y	1
3	S26343-1	Water- Proof Switch	1
4	L15715-5	Rear Panel	1
5	M22416-2	Fan Ass-y	1
6	L15713-5	Bottom Plate	1
7	M22415-3	30-70mm ² Socket with Housing	2
8	L15716-9-A	Water-Proof Cap	1
9	S28748	Knob Kit	1
10	M21801-18	Name Plate	1
11	L15714-4	Front Panel	1

12	L15716-8-B	Front PCB Ass-y	1
13	L15716-8-A	Power System	1
14	S28411-7	Insulation Piece	2
15	S28410	Strap and Buckle	1
16	M22544-2	Handle	1
17	K69100-16-3M	Ground cable with clamp-16mm ² , 3m,200A	1
18	K69101-16-3M	Welding cable with holder-16mm ² 3m, 200A	1

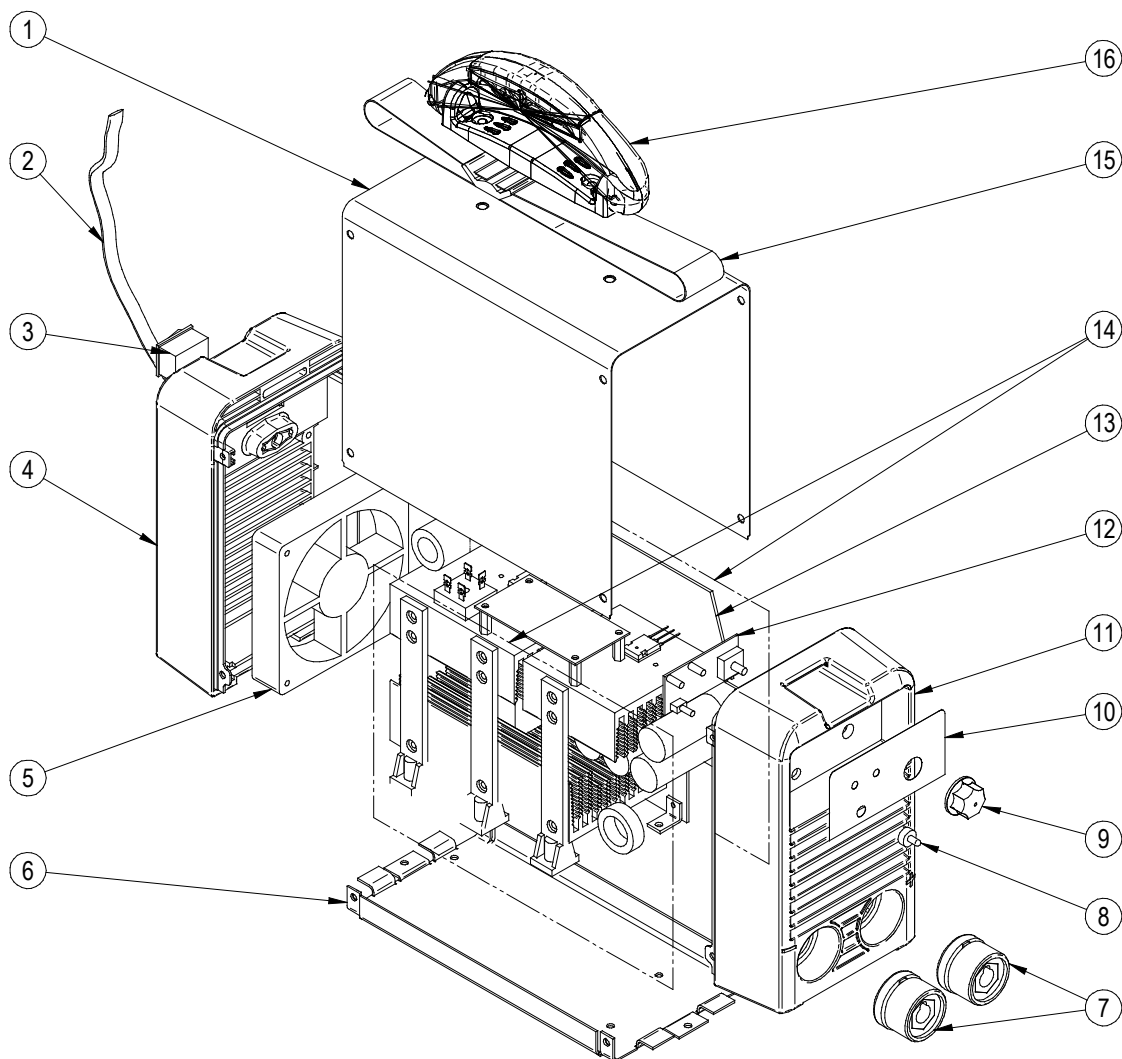


FIGURE B – Bester 165i-ST

Item	Part Number	Part Name	Qty
1	L15712-13	Machine Cover	1
2	M22414-8	Euro power Cable with plug Ass-y	1
3	S26343-2	Water-Proof Switch	1
4	L15715-5	Rear Panel	1
5	M22416-2	Fan Ass-y	1

6	L15713-4	Bottom Plate	1
7	M22415-3	35-70mm ² Socket with Housing	2
8	L15716-9-A	Water-Proof Cap	1
9	S28748	Knob Kit	1
10	M21801-17	Name Plate	1
11	L15714-4	Front Panel	1
12	L15716-15-B	Front PCB Ass-y	1
13	L15716-12-A	Power System	1
14	S28411-6	Insulation Piece	2
15	S28410	Strap and Buckle	1
16	M22544-2	Handle	1
17	K69100-16-3M	Ground cable with clamp-16mm ² , 3m,200A	1
18	K69101-16-3M	Welding cable with holder-16mm ² 3m, 200A	1