

POWERTEC

365S, 425S, 505S

Spare Parts	1
Figure A: Machine Assembly.....	1
Figure B: Machine Assembly.....	2
Figure C: Machine Assembly	3
Miscellaneous item (not showed in figure A,B,C).....	3
Electrical Schematic.....	4
WEEE.....	6



Spare Parts

SP50242/50243/50244 REV03
07/03

ASSEMBLY PAGE NAME			Machine Assembly	Panel Assembly	Wire Drive Assembly			
CODE NO.:	K NO.:	FIGURE NO.:	A	B	C			
50242	K14061-2A	POWERTEC 365S	1	1	1			
50243	K14062-2A	POWERTEC 425S	2	2	2			
50244	K14063-2A	POWERTEC 505S	3	3	3			

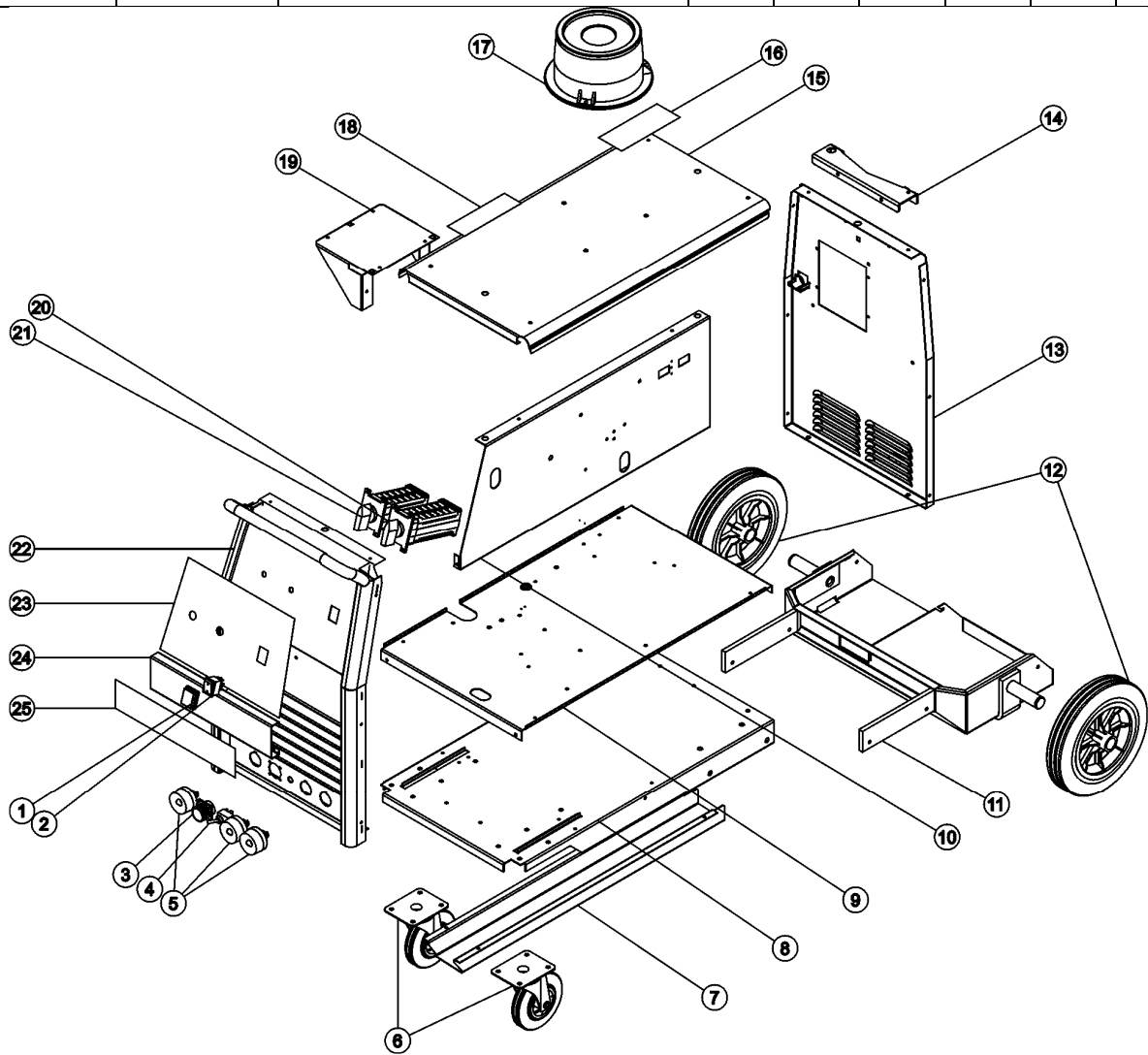


Figure A

Figure A: Machine Assembly

No.	Description	Index	Qty.	1	2	3
1	BLACK FRAME SHIELD	1115-299-073R	1	x	x	x
2	SWITCH	1115-270-019R	1	x	x	x
3	FEMALE SOCKET	1158-641-130R	1	x	x	x
4	SWITCH	1115-280-005R	1	x	x	x
5	SOCKET	C-2986-001-3R	3	x	x	x
6	CASTER DIA	1029-660-127R	2	x	x	x
7	SUPPORT	R-1019-160-1/08R	1	x	x	x
8	BASE	R-1019-150-1/08R	1	x	x	x

9	SHELF	R-3019-142-1/08R	1	x	x	x
10	DIVIDER	R-3019-143-1/08R	1	x	x	x
11	SHELF	R-3019-026-1/08R	1	x	x	x
12	WHEEL	1029-660-250R	2	x	x	x
13	BACK PANEL	R-3019-144-1/08R	1	x	x	x
14	SUPPORT	R-1019-153-1/08R	1	x	x	x
15	COVER	R-1019-164-1/02R	1	x	x	x
16	STICKER	R-0010-279-1R	1	x	x	x
17	ROTARY BRACKET	1361-598-181R	1	x	x	x
18	STICKER	2719-107-728R	1	x	x	x
19	BRACKET	R-3019-093-1/08R	1	x	x	x
20	CAM SWITCH	1115-260-074R	1	x	x	*
	CAM SWITCH	1115-260-224R	1	*	*	x
21	CAM SWITCH	1115-260-073R	1	x	x	*
	CAM SWITCH	1115-260-223R	1	*	*	x
22	FRONT PANEL	R-3019-145-1/08R	1	x	x	x
23	STICKER	R-0010-218-1R	1	x	x	x
24	COVER	R-1019-161-1/02R	1	x	x	x
25	STICKER	R-0010-234-1R	1	x	*	*
	STICKER	R-0010-235-1R	1	*	x	*
	STICKER	R-0010-236-1R	1	*	*	x

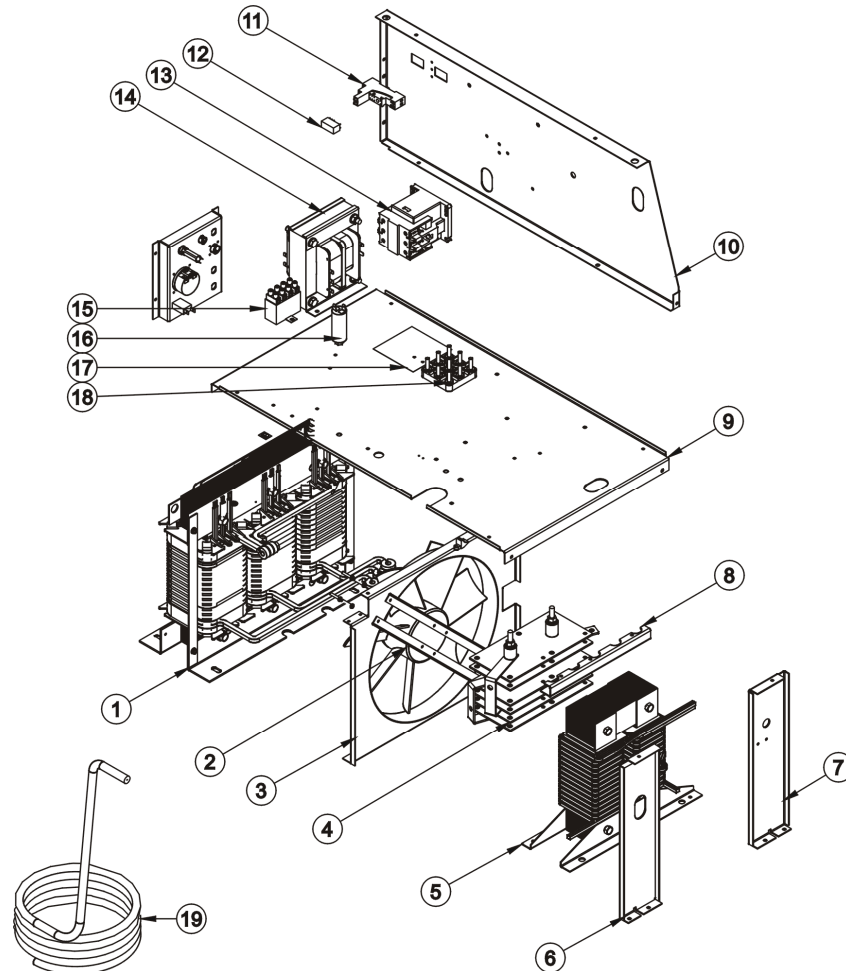


Figure B

Figure B: Machine Assembly

No.	Description	Index	Qty.	1	2	3
1	TRANSFORMER	R-4034-092-1R	1	x	*	*
	TRANSFORMER	R-4034-093-1R	1	*	x	*
	TRANSFORMER	R-4034-094-1R	1	*	*	x

2	FAN	R-8040-055-3R	1	X	X	X
3	PARTITION	R-3019-135-1/08R	1	X	X	X
4	3-PHASE RECTIFIER	R-0010-241-1R	1	X	*	*
	3-PHASE RECTIFIER	R-0010-242-1R	1	*	X	*
	3-PHASE RECTIFIER	R-0010-243-1R	1	*	*	X
5	CHOKE	R-4034-091-1/85R	1	X	X	X
6	BRACKET	R-1019-176-2/08R	1	X	X	X
7	BRACKET	R-1019-176-1/08R	1	X	X	X
8	BRACKET	R-1019-175-1/08R	1	X	X	X
9	SHELF	R-3019-142-1/08R	1	X	X	X
10	DIVIDER	R-3019-143-1/08R	1	X	X	X
11	RELAY BASE	1158-632-017R	1	X	X	X
12	RELAY	0918-412-065R	1	X	X	X
13	CONTACTOR CI-42	1115-212-242R	1	X	X	*
	CONTACTOR CI-50	1115-212-243R	1	*	*	X
14	TRANSFORMER	C-4244-384-1R	1	X	X	X
15	RC-FILTER	0874-400-011R	1	X	X	X
16	CAPACITOR	1158-121-001R	1	X	X	X
17	STICKER	R-0010-287-1R	1	X	X	X
18	TERMINAL BLOCK	0744-000-069R	1	X	X	X
19	POWER CABLE	D-5578-171-2R	1	X	*	*
	POWER CABLE	D-5578-171-3R	1	*	X	X

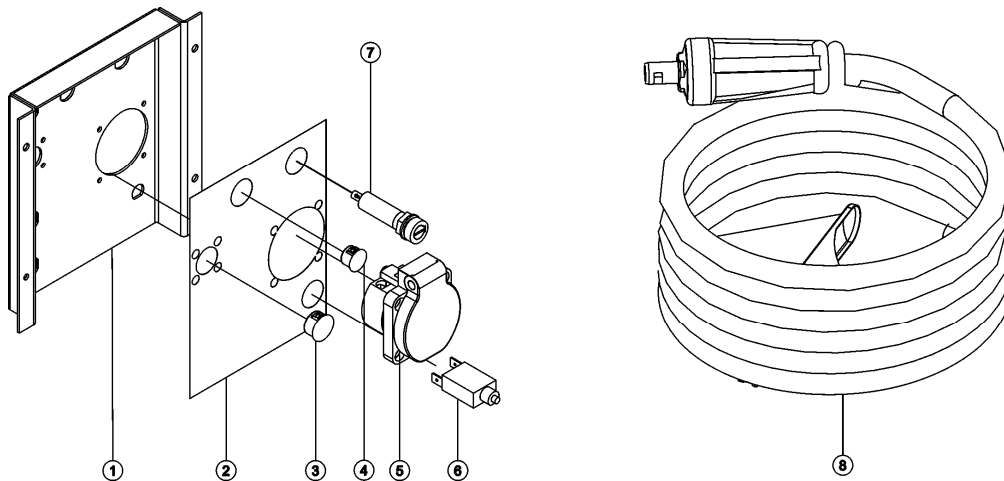


Figure C

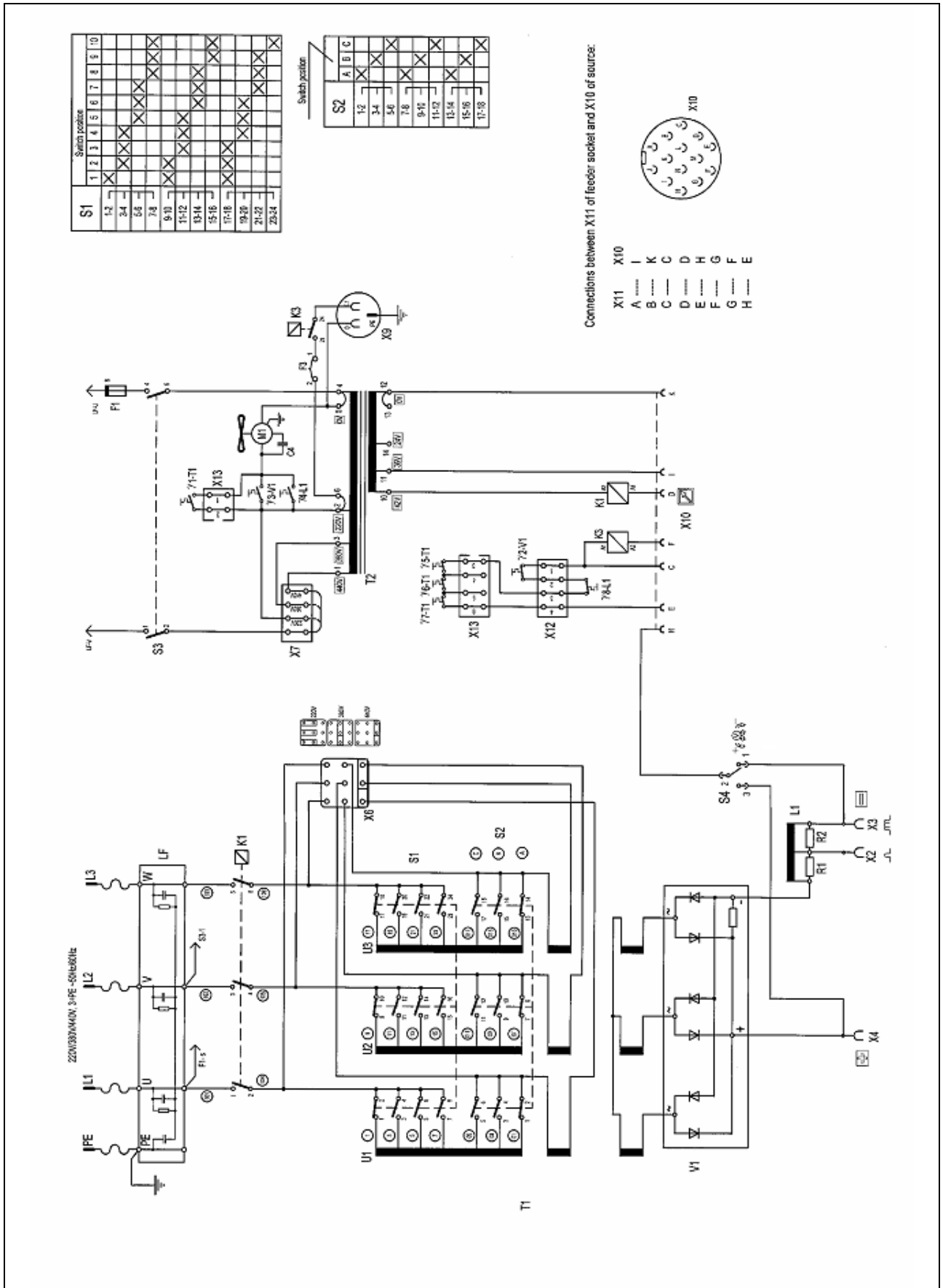
Figure C: Machine Assembly

No.	Description	Index	Qty.	1	2	3
1	PANEL	R-1019-157-1/08R	1	X	X	X
2	STICKER	R-0010-239-1R	1	X	X	X
3	HOLE PLUG	1361-559-058R	1	X	X	X
4	HOLE PLUG	1119-510-005R	1	X	X	X
5	SOCKET 1-PHASE	1131-222-004R	1	X	X	X
6	FUSE HOUSING	1115-299-027R	1	X	X	X
7	FUSE SOCKET	1158-632-032R	1	X	X	X
8	WELDING CABEL	D-5578-176-4R	1	X	X	*
	WELDING CABEL	R-5041-024-1R	1	*	*	X

Miscellaneous item (not showed in figure A,B,C)

No.	Description	Index	Qty.	1	2	3
1	WIRNING HARNESS A (PRIMARY)	R-5041-142-2R	1	X	X	X
2	WIRNING HARNESS A (PRIMARY)	R-5041-143-2R	1	X	X	X
3	WIRNING HARNESS (SECONDARY)	R-5041-159-1R	1	X	X	X
4	WIRNING HARNESS	R-5041-157-1R	1	X	X	X

Electrical Schematic



Connection Diagram

POWERTEC 305S
K14060-1

POWERTEC 365S 220/380/440V
K14061-2A

POWERTEC 365S 230/400V
K14061-1A

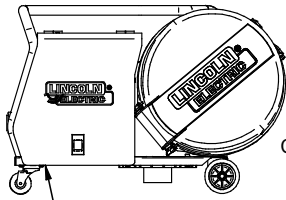
POWERTEC 425S 220/380/440V
K14062-2A

POWERTEC 425S 230/400V
K14062-1A

POWERTEC 505S 220/380/440V
K14063-2A

POWERTEC 505S 230/400V
K14063-1A

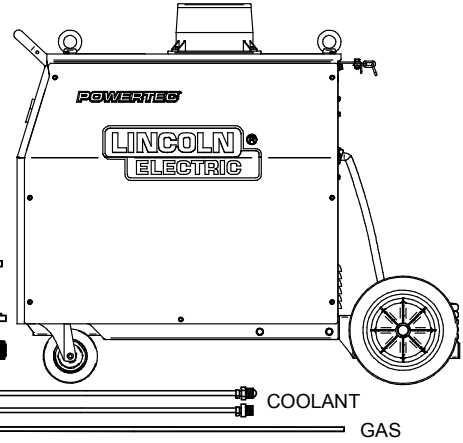
LF 22M : K14064-1
LF 24M : K14065-1W
LF 24M PRO : K14066-1W



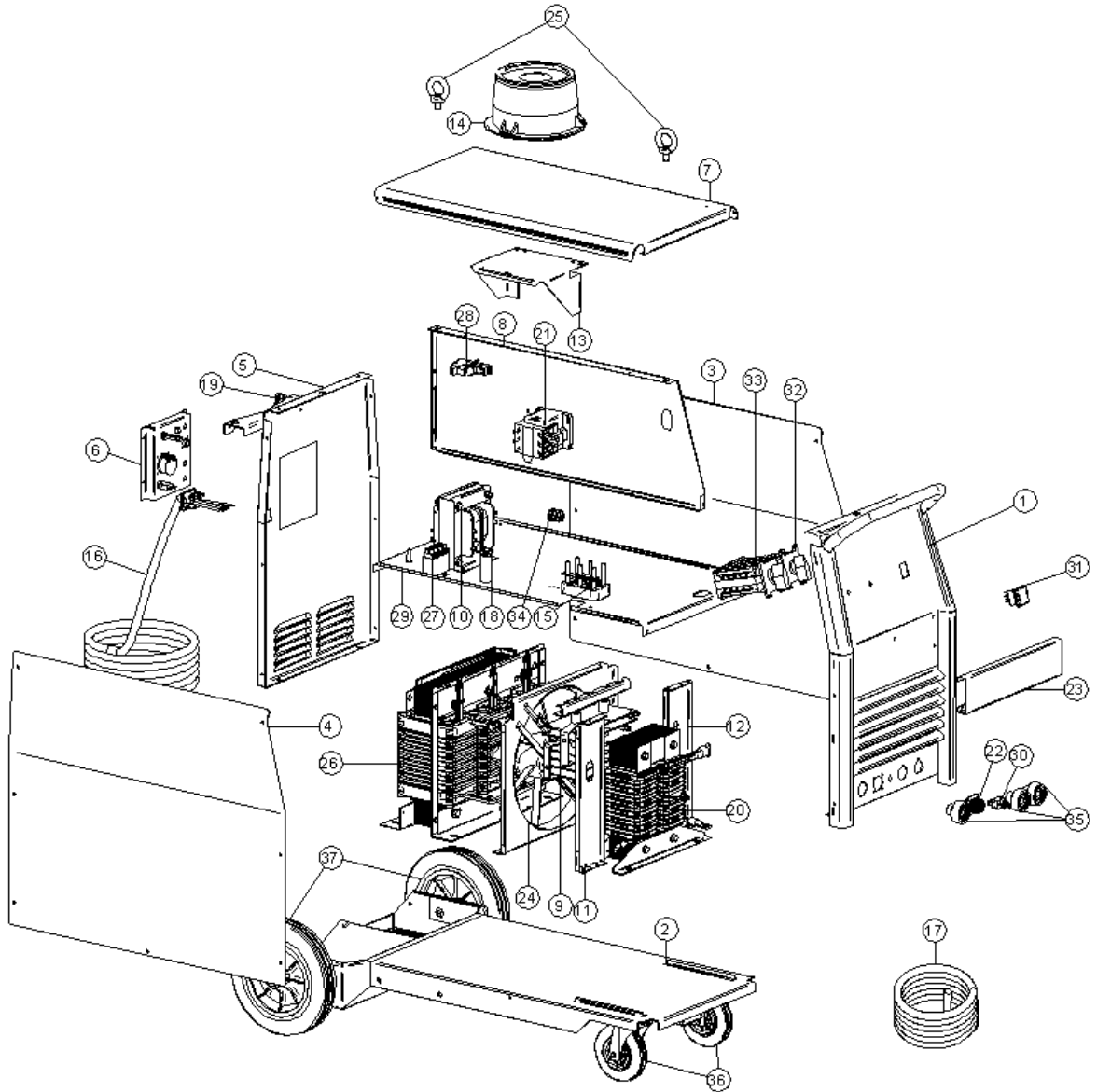
DRIVE ROLLS KIT:
KP14016-XX
KP14017-XX

8p
GAS
COOLANT

K10347-PGW-XXM
K10347-PG-XXM



COOLANT
GAS



	Recycle					ST				
	Ref.	Fe	Al.	Cu	Brass	Boards	Plastics	Liquid Cristal	External Electric Cables	Capacitors
Front Panel Assembly	1	X								
Base Assembly	2	X								
Right Side Access Panel	3	X								
Left Side Panel	4	X								
Rear Panel Assembly	5	X								
Panel Assembly	6	X								
Top Panel Assembly	7	X								
Divider Panel Assembly	8	X								
3-phase Bridge Rectifier	9		X				X			
Auxiliary Transformer	10	X		X			X			
Bracket	11,12,13,14	X								
Bus Bar	15			X			X			
Cables	16,17			X	X		X		X	

Capacitor	18									X
Chain	19	X								
Choke	20	X		X			X			
Contacto	21	X		X			X			
Control Socket	22	X								
Cover	23	X								
Fan Assembly	24	X		X						
Lug Screws	25	X								
Main Transformer	26	X		X			X			
RC Filter	27				X		X			
Relay	28			X	X		X			
Shelf	29	X								
Switches	30, 31, 32, 33				X		X			
Terminal Blocks	34	X					X			