

LINC FEED

22M, 24M & 24M PRO

Spare Parts.....	1
LF 22M, 24M & 24M PRO.....	1
Figure A: Machine Assembly.....	3
Figure B: Panel Assembly.....	4
Figure C: Wire Drive Assembly – LF 22M.....	5
Figure D: Wire Drive Assembly - LF 24M & LF 24M PRO.....	6
Miscellaneous Items (not shown in figure A, B, C, D).....	6
Electrical Schematic.....	7
WEEE.....	9



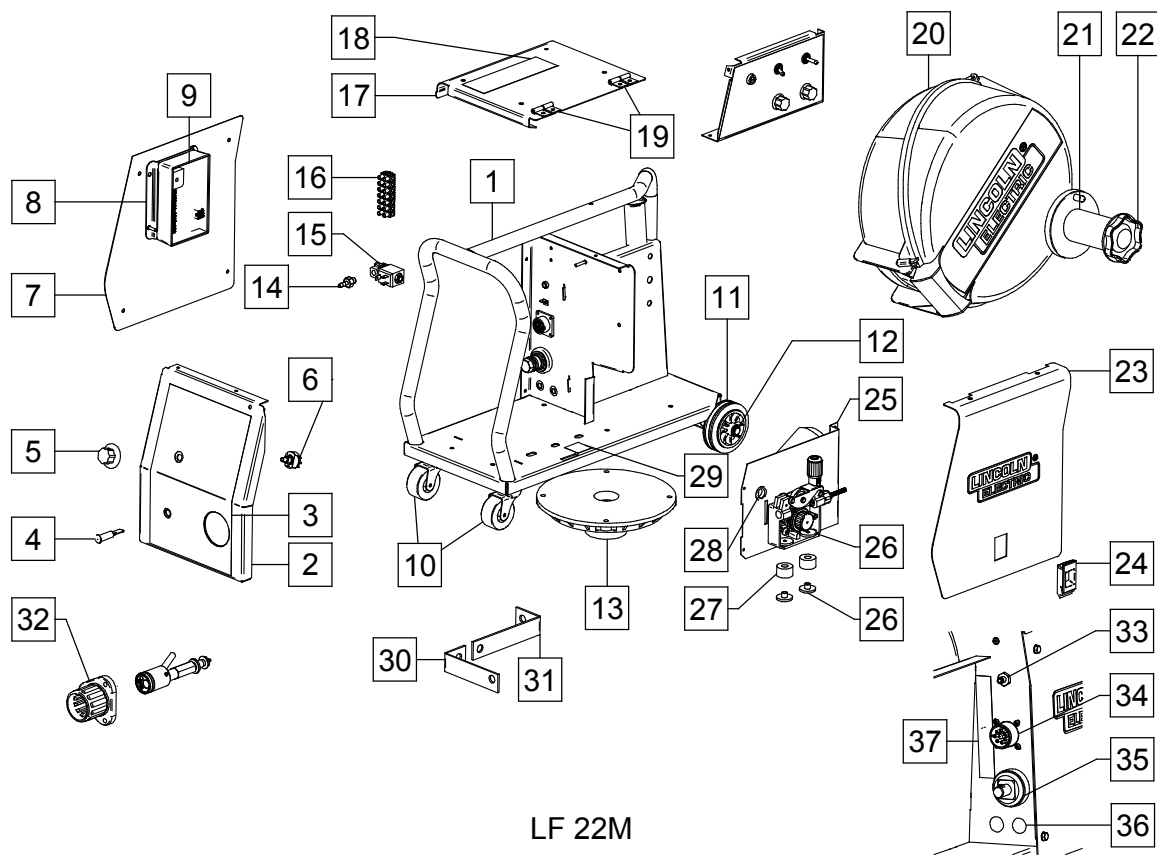
Lincoln Electric Bester Sp. z o.o.
ul. Jana III Sobieskiego 19A, 58-263 Bielawa, Poland
www.lincolnelectric.eu

Spare Parts

SP50218/50219/50217 REV03
07/03

LF 22M, 24M & 24M PRO

ASSEMBLY PAGE NAME			Machine Assembly	Panel Assembly	Wire Drive Assembly	Wire Drive Assembly	Miscellaneous items	
CODE NO.:	K NO.:	FIGURE NO.:	A	B	C	D	-	
50219	K14064-1	LINC FEED 22M	1	1	1	X	1	
50217	K14065-1W	LINC FEED 24M	2	2	X	1	2	
50218	K14066-1W	LINC FEED 24M PRO	3	3	X	1	3	



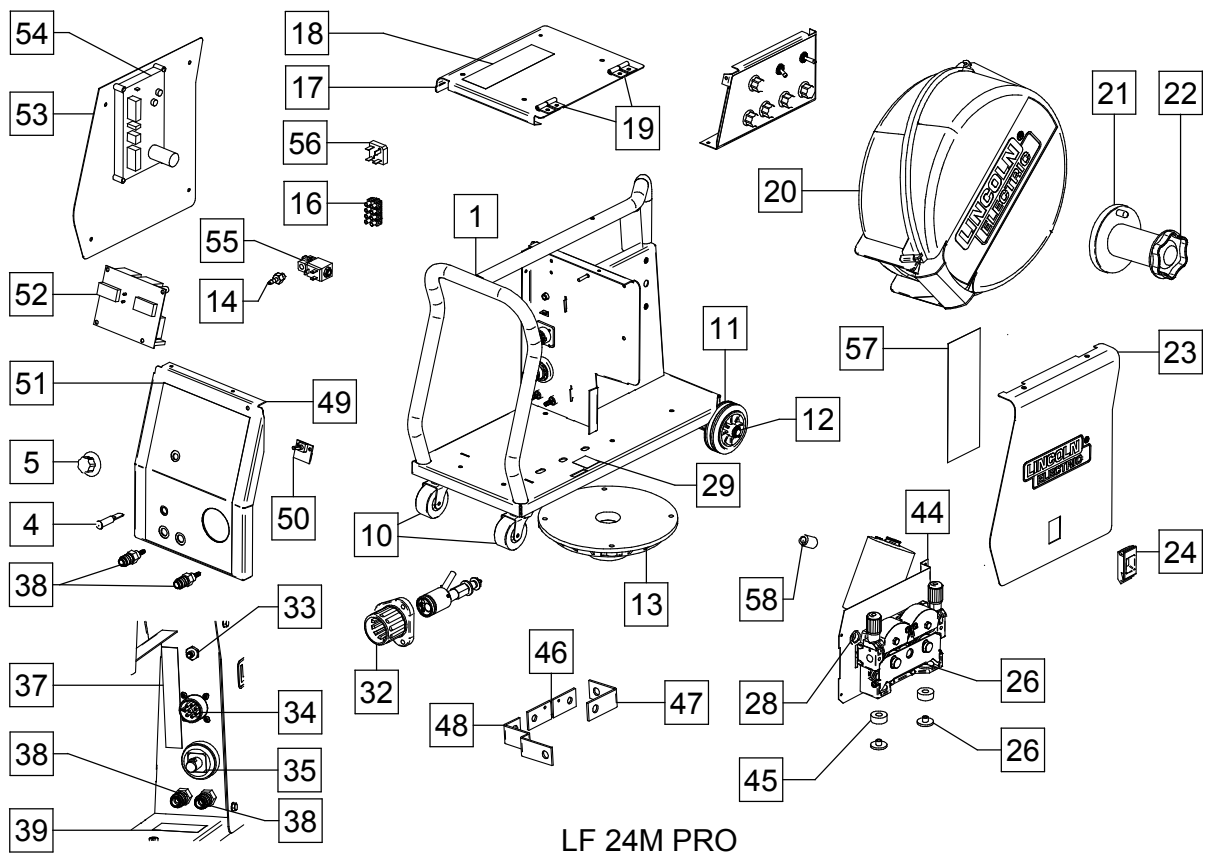
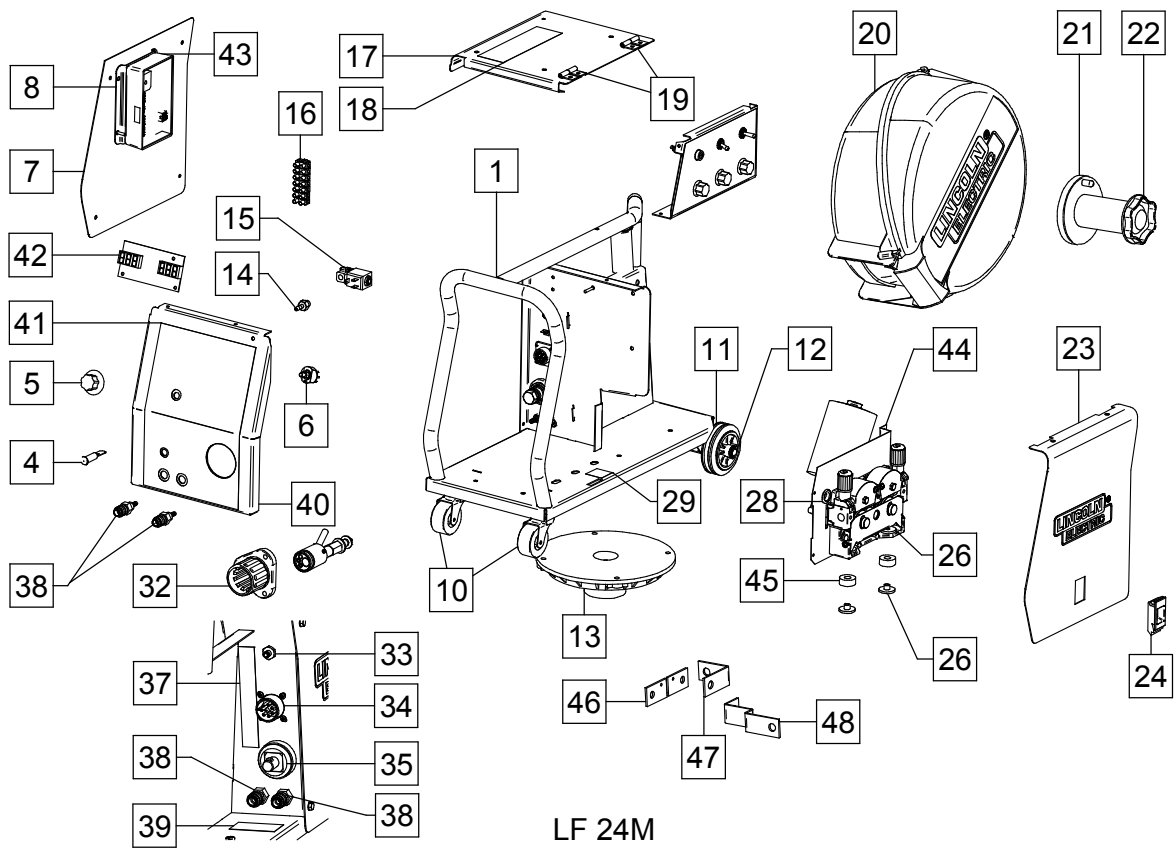


Figure A

Figure A: Machine Assembly

Item	Description	Part Number	QTY	1	2	3	4	5	6	7
1	RACK	R-3019-156-1/08R	1	X	X	X				
2	FRONT PANEL	R-3019-154-2/08R	1	X	•	•				
3	STICKER	R-0010-247-1R	1	X	•	•				
4	LAMP	0917-421-024R	1	X	X	X				
5	KNOB	9ET10491R	1	X	X	X				
6	POTENCIOMETER	1158-113-304R	3	X	•	X				
6	POTENCIOMETER	1158-113-304R	4	•	X	•				
7	LEFT SIDE PANEL	R-1019-225-1R	1	X	X	•				
8	BRACKET	R-1012-184-1/08R	1	X	X	•				
9	P.C. BOARD	Y024-6R	1	X	•	•				
10	FRONT WHEELS	1029-660-003R	2	X	X	X				
11	REAR WHEELS	1029-660-081R	2	X	X	X				
12	AXLE	R-2013-021-1R	1	X	X	X				
13	ROTARY BRACKET	1361-598-180R	1	X	X	X				
14	COUPLER	R-2013-060-1R	1	X	X	X				
15	GAS SOLENOID	0972-423-002R	1	X	X	•				
16	TERMINAL BLOCK	1131-990-005R	7	X	X	•				
16	TERMINAL BLOCK	1131-990-005R	4	•	•	X				
17	COVER	R-3019-162-1/02R	1	X	X	X				
18	STICKER	2719-107-728R	1	X	X	X				
19	HINGLE	D-3574-007-1/33R	2	X	X	X				
20	PLASTIC COVER	R-0010-178-1R	1	X	X	X				
21	REEL HUB STANDARD	0744-000-192R	1	X	X	X				
22	PLASIC NUT	B11035-1	1	X	X	X				
23	RIGHT SIDE PANEL	R-1019-224-1R	1	X	X	X				
24	LOCK	0654-610-004R	1	X	X	X				
25	DIVIDER	R-1019-183-2/08R	1	X	•	•				
26	SLEEVE	1361-599-720R	4	X	X	X				
27	SLEEVE	1361-599-565R	2	X	•	•				
28	RUBBER BUSH	1373-182-002R	1	X	X	X				
29	STICKER	2719-107-732R	1	X	X	X				
30	CONDUCTOR RAIL	R-1010-008-1R	1	X	•	•				
31	CONDUCTOR RAIL	R-1010-041-1R	1	X	•	•				
32	EURO SLEEVE	1361-599-708R	1	X	X	X				
33	QUICK CONNECT COUPLING	0744-000-149R	1	X	X	X				
34	SOCKET X11	1158-641-129R	1	X	X	X				
35	SOCKET	D-2985-002-1R	1	X	X	X				
36	HOLE PLUG	1119-510-005R	2	X	•	•				
37	STICKER	R-0010-354-1R	1	X	X	X				
38	QUICK CONNECTOR FEMALE	0744-000-152R	4	•	X	X				
39	STICKER	R-0010-290-1R	1	•	X	X				
40	FRONT PANEL	R-3019-154-3/08R	1	•	X	•				
41	STICKER	R-0010-248-1R	1	•	X	•				
42	P.C. BOARD	0918-432-006R	1	•	X	•				
43	P.C. BOARD	Y024-2R	1	•	X	•				
44	DIVIDER	R-1019-183-1/08R	1	•	X	X				
45	SLEEVE	D-1869-033-3R	2	•	X	X				
46	SHUNT	0941-712-026R	1	•	X	X				
47	CONDUCTOR RAIL	R-1010-036-1R	1	•	X	X				
48	CONDUCTOR RAIL	R-1010-038-1R	1	•	X	X				
49	FRONT PANEL	R-3019-154-1/08R	1	•	•	X				
50	P.C. BOARD	0918-432-073R	1	•	•	X				
51	STICKER	R-0010-249-1R	1	•	•	X				
52	P.C. BOARD	C-3731-400-2R	1	•	•	X				
53	LEFT SIDE PANEL	R-1019-226-1R	1	•	•	X				
54	P.C. BOARD	C-3731-399-3R	1	•	•	X				
55	GAS SOLENOID	0972-423-038R	1	•	•	X				
56	RECTIFIER	1156-112-044R	1	•	•	X				
57	STICKER	R-0010-341-1R	1	•	•	X				

58	FERRITE CORE	1158-290-036R	1	•	•	X				
----	--------------	---------------	---	---	---	---	--	--	--	--

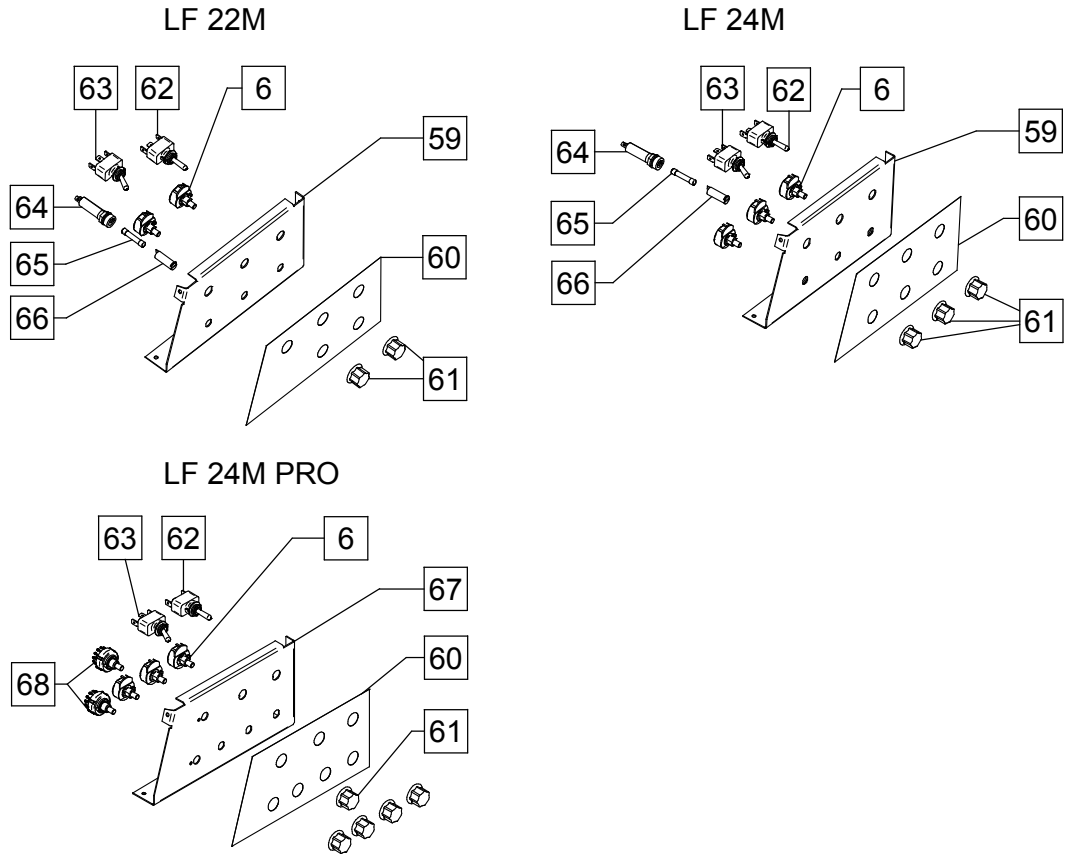


Figure B

Figure B: Panel Assembly

Item	Description	Part Number	QTY	1	2	3	4	5	6	7
59	DIVIDER	R-1019-208-1/08R	1	X	X	X				
60	STICKER	R-0010-278-1R	1	X	•	•				
60	STICKER	R-0010-277-1R	1	•	X	•				
60	STICKER	R-0010-252-1	1	•	•	X				
61	KNOB	9ET13639-3	2	X	•	•				
61	KNOB	9ET13639-3	3	•	X	•				
61	KNOB	9ET13639-3	5	•	•	X				
62	SWITCH S6	1158-280-004R	1	X	X	X				
63	SWITCH S7	1158-280-005R	1	X	X	X				
64	FUSE SOCKET	1158-632-032R	1	X	X	•				
65	FUSE	1158-660-084R	1	X	X	•				
66	FUSE CAP	1158-632-033R	1	X	X	•				
67	DIVIDER	R-1019-181-1/08R	1	•	•	X				
68	SWITCH	D-4542-012-2R	2	•	•	X				

LF 22M

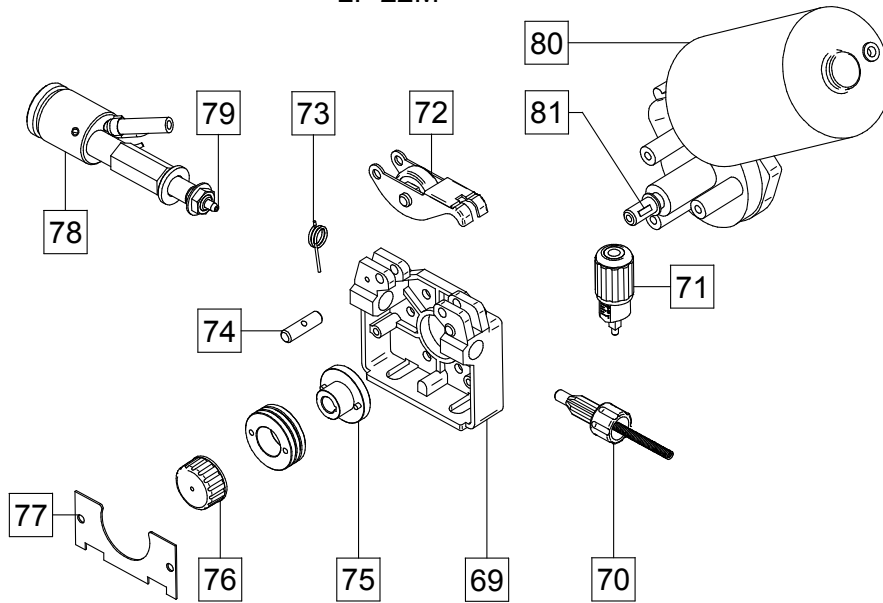


Figure C

Figure C: Wire Drive Assembly – LF 22M

Item	Description	Part Number	QTY	1	2	3	4	5	6	7
	WIRE DRIVE ASSEMBLY	0744-000-169R	1	X						
69	FEED PLATE	0646-231-123R	1	X						
70	INLET GUIDE	0744-000-193R	1	X						
71	FIXING ARM COMPL.	0646-231-097R	1	X						
72	PRESSURE ARM COMPL.	0646-231-096R	1	X						
73	SPRING PRESSURE ARM	0646-231-125R	1	X						
74	AXIS PRESSURE ARM	0646-231-120R	1	X						
75	ADAPTER COPL.	0744-000-194R	1	X						
76	FIXING CAP	0744-000-195R	1	X						
77	METAL COVER	0646-231-127R	1	X						
78	EURO SOCKET X9	R-8040-042-3R	1	X						
79	OUTLET GUIDE	R-2010-006-1R	1	X						
80	MOTOR	1111-722-045R	1	X						
81	WOODROFF KEY	0646-231-102R	1	X						

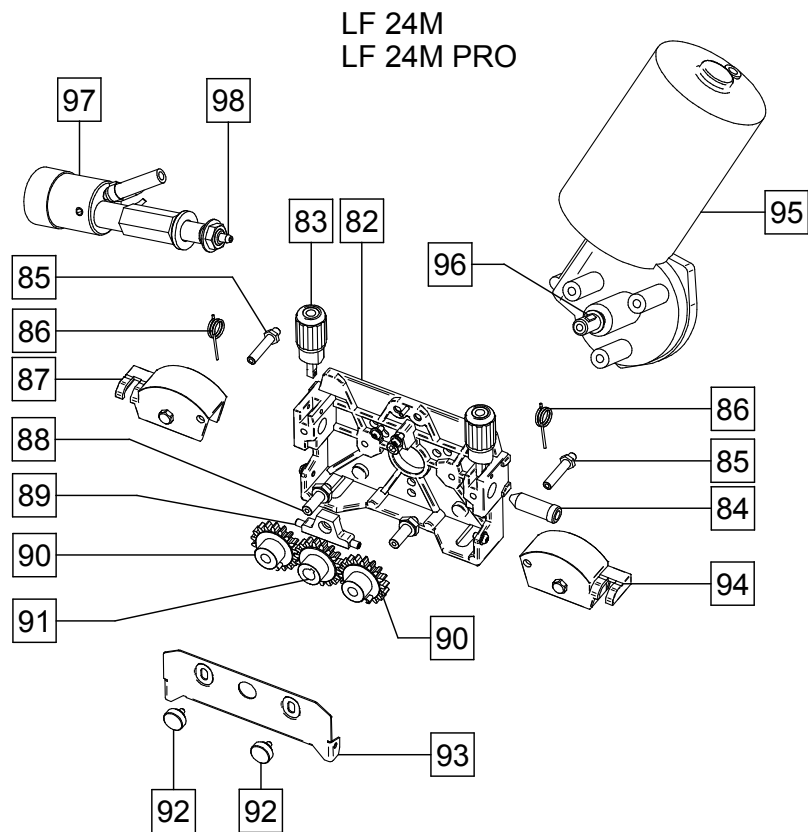


Figure D

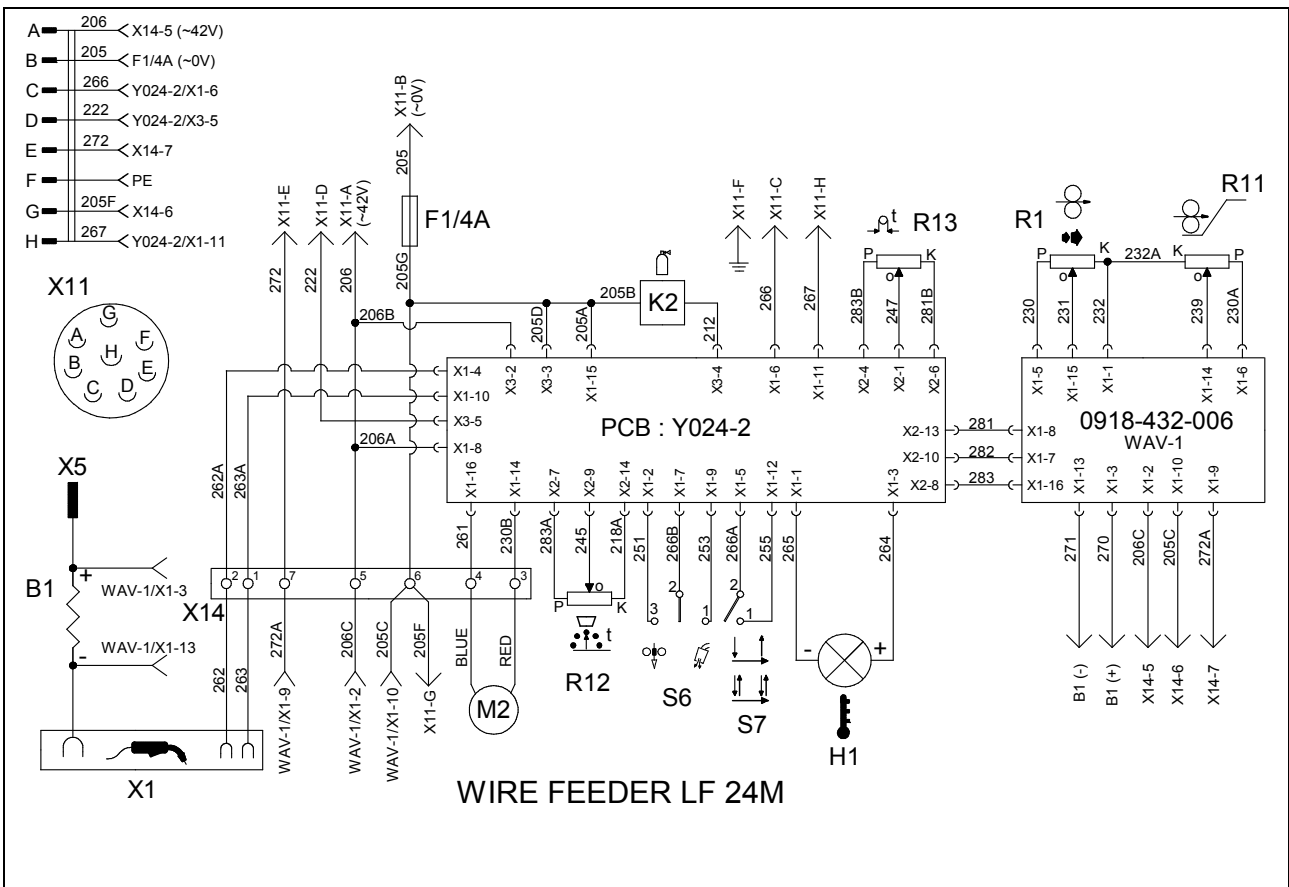
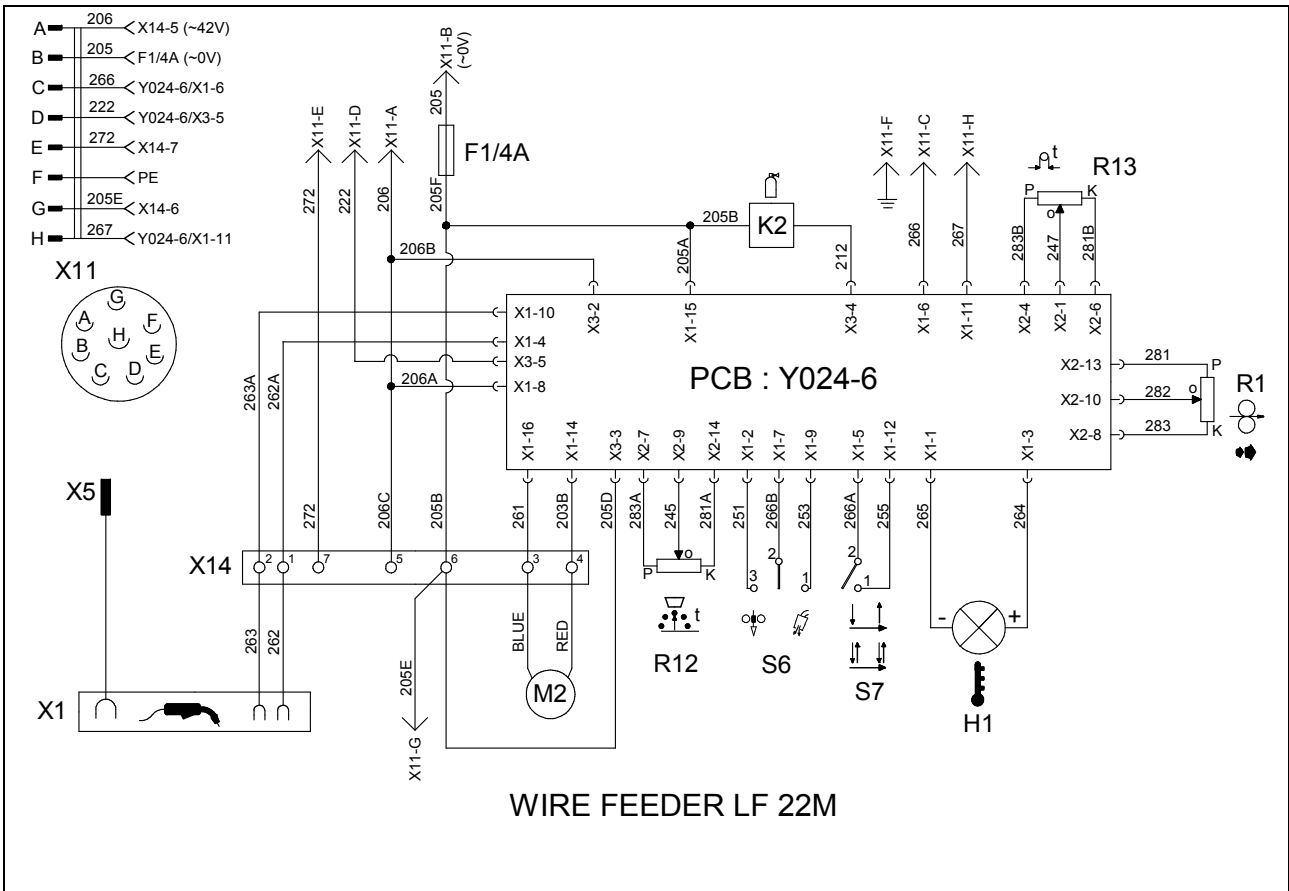
Figure D: Wire Drive Assembly - LF 24M & LF 24M PRO

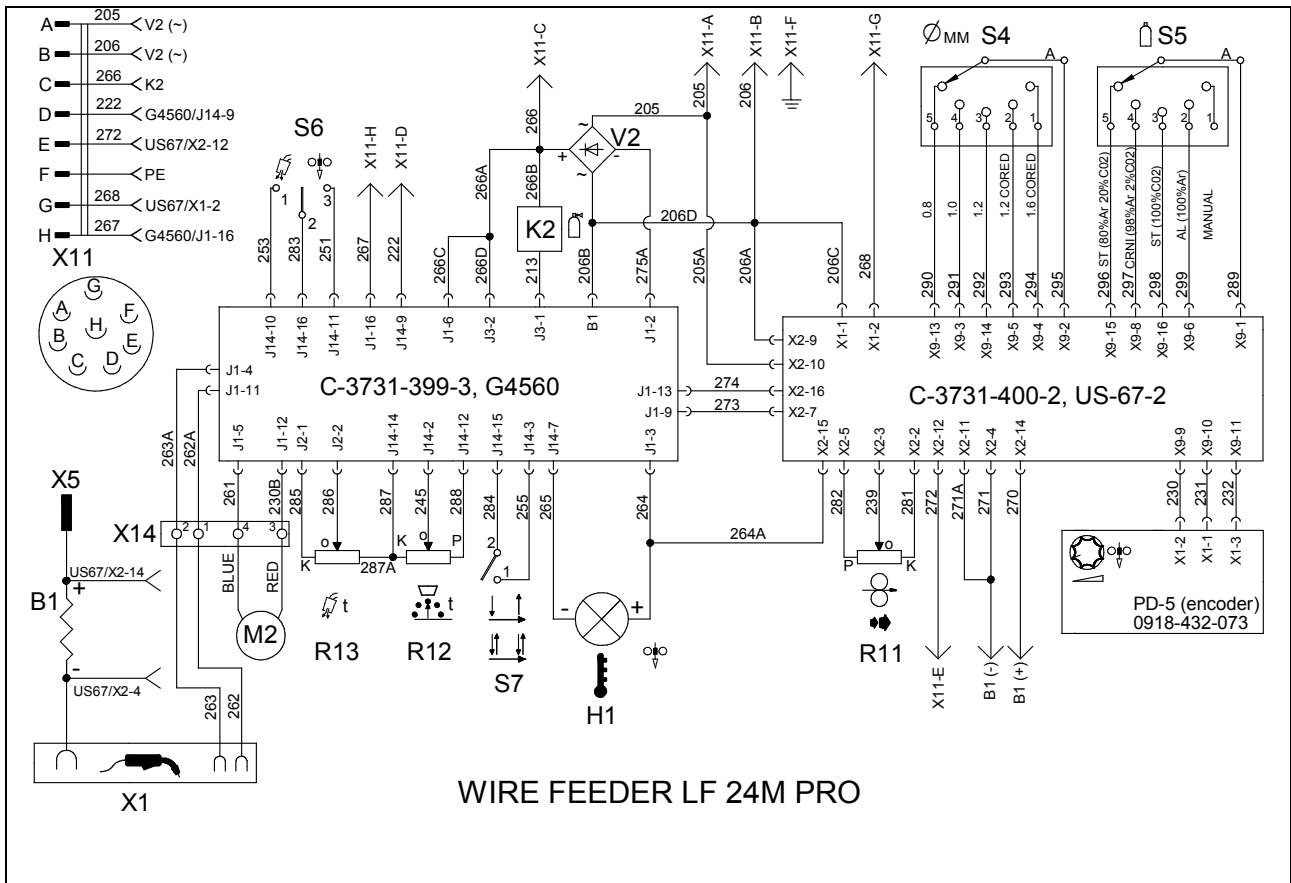
Item	Description	Part Number	QTY	1	2	3	4	5	6	7
	WIRE DRIVE ASSEMBLY	0744-000-241R	1	X	X					
82	FEED PLATE	0646-233-002R	1	X	X					
83	FIXING ARM COMPL.	0646-233-015R	2	X	X					
84	INLET GUIDE	0646-233-025R	1	X	X					
85	AXIS PRESSURE ARM	0646-233-003R	2	X	X					
86	SPRING PRESSURE ARM	0646-233-013R	2	X	X					
87	PRESSURE ARM COMPL.L	0646-233-007R	1	X	X					
88	AXIS DRIVE ROLL	0646-233-020R	1	X	X					
89	INTERMEDIATE GUIDE	0646-233-023R	2	X	X					
90	GEAR WHEEL ROLL	0646-231-090R	2	X	X					
91	GEAR WHEEL MOTOR	0646-233-028R	1	X	X					
92	FIXING CAP	0744-000-190R	2	X	X					
93	METAL COVER	0646-233-027R	1	X	X					
94	PRESSURE ARM COMPL.R	0646-233-005R	1	X	X					
95	MOTOR	1111-722-047R	1	X	X					
96	WOODROF KEY	0646-231-102R	1	X	X					
97	EURO SOCKET	R-8040-140-3R	1	X	X					
98	OUTLET GUIDE	D-1829-066-3R	1	X	X					

Miscellaneous Items (not shown in figure A, B, C, D)

Item	Description	Part Number	QTY	1	2	3	4	5	6	7
99	WIRING HARNESS	R-5041-168-1R	1	X	•	•				
100	WIRING HARNESS	R-5041-169-1R	1	•	X	•				
101	WIRING HARNESS	R-5041-170-1R	1	•	•	X				

Electrical Schematic





LF 22M code 50219 Connection Diagram
 LF24M code 50217 Connection Diagram
 LF24M PRO code 50218 Connection Diagram

POWERTEC 305S
K14060-1

POWERTEC 365S 220/380/440V
K14061-2A

POWERTEC 365S 230/400V
K14061-1A

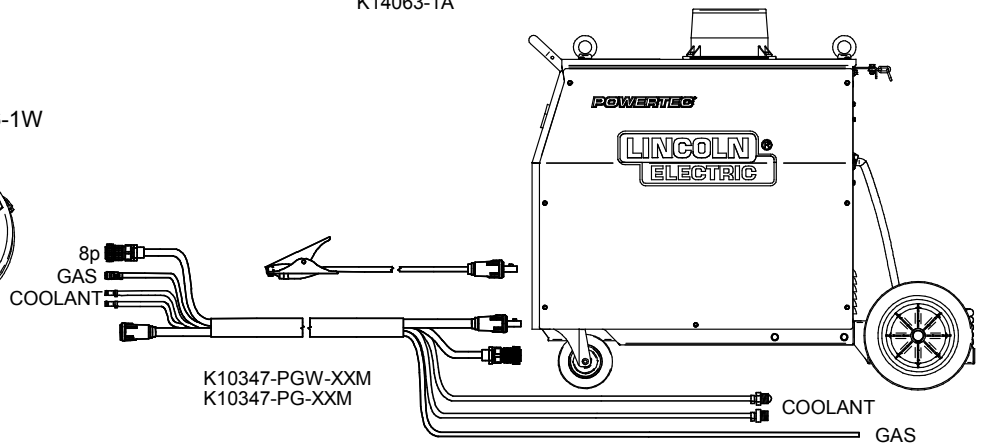
POWERTEC 425S 220/380/440V
K14062-2A

POWERTEC 425S 230/400V
K14062-1A

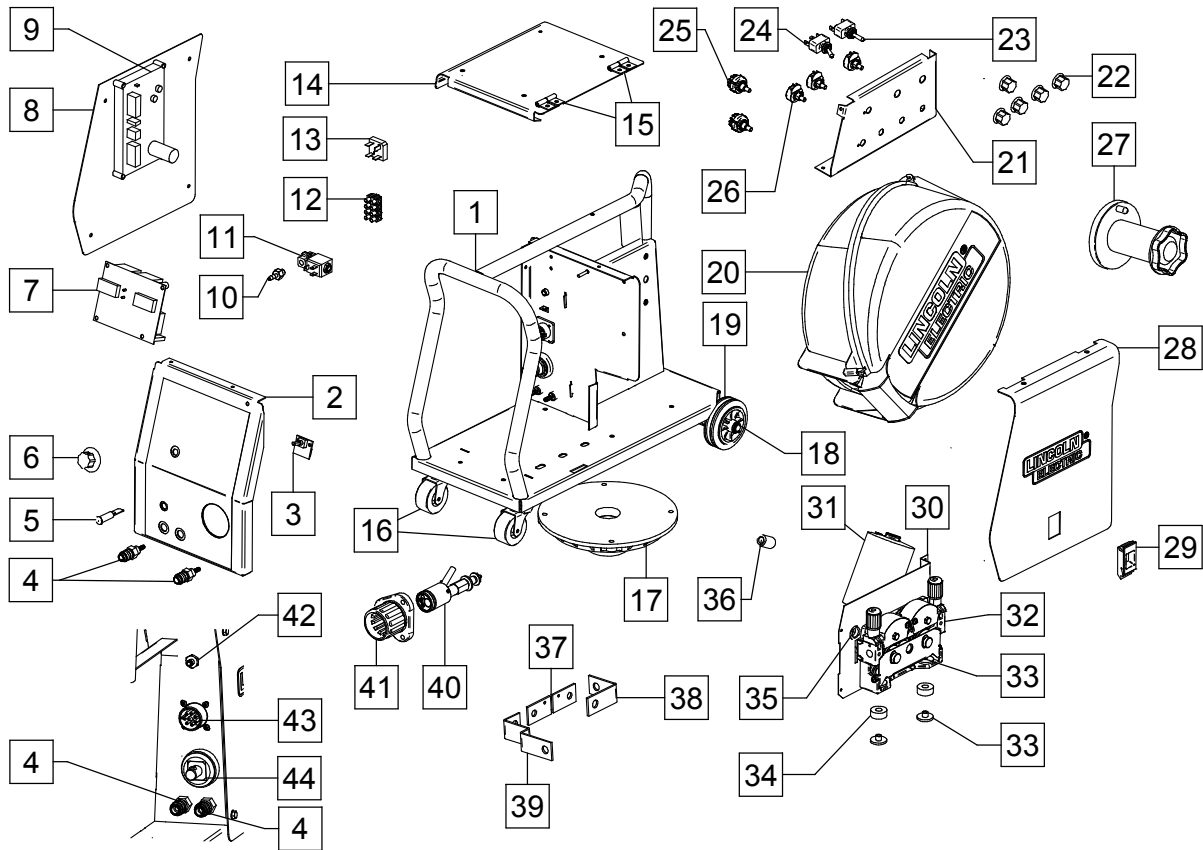
POWERTEC 505S 220/380/440V
K14063-2A

POWERTEC 505S 230/400V
K14063-1A

LF 22M : K14064-1
 LF 24M : K14065-1W
 LF 24M PRO : K14066-1W



WEEE



Ref.	Recycle				ST				
	Fe	Al	Cu	Brass	Boards	Plastics	Liquid Cristal	External Electric Cables	Capacitors
FRONT PANEL	2	X							
RACK	1	X							
AXLE	18	X							
DIVIDER	21, 30	X							
RIGHT SIDE PANEL	28	X							
LOCK	29					X			
LEFT SIDE PANEL	8	X							
COVER	14	X							
HINGLE	15	X							
P.C. BOARD	3, 7, 9				X				
WIRE REEL SPINDLE	27	X		X		X			
PLASTIC COVER	20					X			
CONDUCTOR RAIL	38, 39		X						
SHUNT	37				X				
EURO SOCKET	40			X					
EURO SLEEVE	41					X			
WHEELS	16, 19	X				X			
SOCKET	43, 44	X	X	X		X			
COUPLER	4, 10, 42								
SWITCHES	23, 24, 25, 26	X		X					
KNOBS	6, 22					X			
LAMP	5					X			
GAS SOLENOID	11	X	X	X					
RECTIFIER	13	X				X			

SLEEVE	33, 34, 35						X			
WIRE FEEDER	32	X		X			X			
MOTOR	31	X		X						
ROTARY BRACKET	17						X			
TERMINAL BLOCKS	12	X		X			X			
FERRITE CORE	36	X								