

# CV 425 & 510

---

Spare Parts .....	1
Figure A: Machine Assembly .....	1
Figure B: Machine Assembly .....	2
Figure C: Machine Assembly .....	3
Miscellaneous Items (not shown in figure A, B, C) .....	3
Electrical Schematic .....	4
Connection Diagram .....	6
WEEE.....	7



# Spare Parts

SP50172, 50174 REV02  
12/05

ASSEMBLY PAGE NAME			Machine Assembly	Machine Assembly	Machine Assembly	Miscellaneous Items		
CODE NO.:	K NO.:	FIGURE NO.:	A	B	C	-		
50172	K14080-1A	CV 425 AIR 230/400V 3PH	1	1	1	1		
50174	K14081-1A	CV 510 AIR 230/400V 3PH	2	2	2	2		

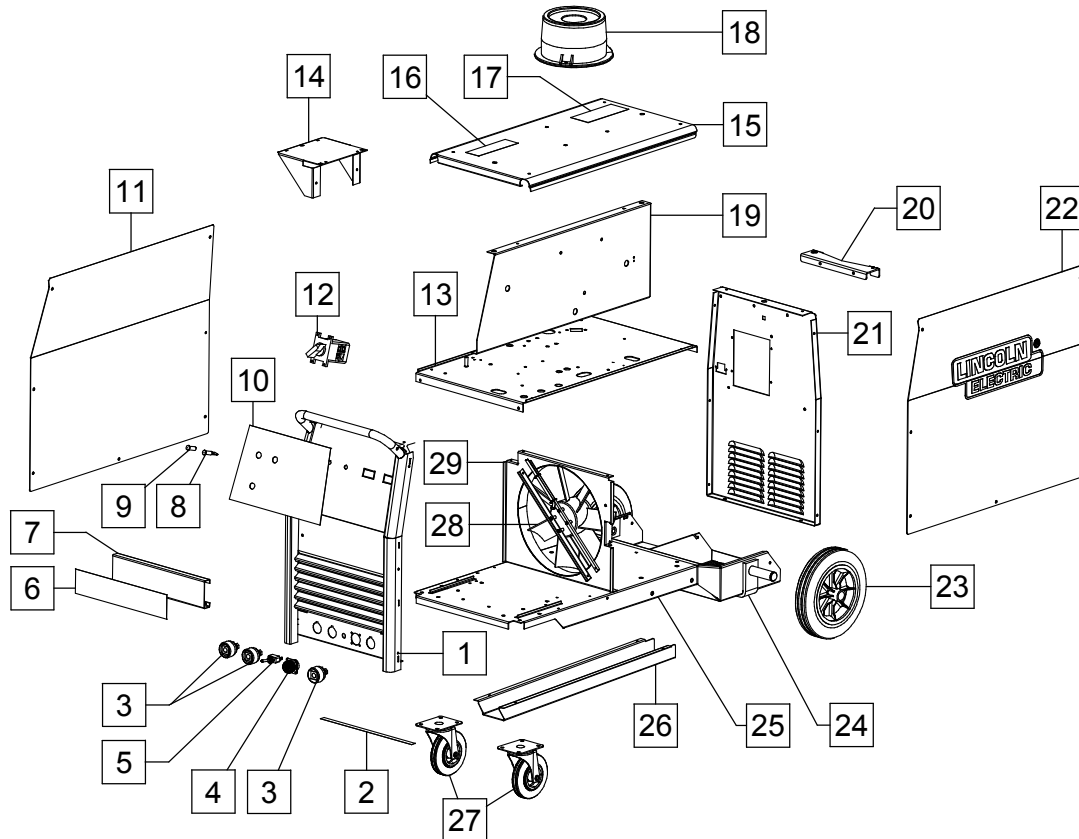


Figure A

**Figure A: Machine Assembly**

Item	Description	Part Number	QTY	1	2	3	4	5	6	7
1	FRONT PANEL	R-3019-206-1/08R	1	X	X					
2	STICKER	R-0010-342-1R	1	X	X					
3	SOCKET X1, X3, X4	C-2986-001-3R	3	X	X					
4	SOCKET X10	1158-641-130R	1	X	X					
5	SWITCH S9	1115-280-005R	1	X	X					
6	STICKER	R-0010-319-1R	1	X	•					
6	STICKER	R-0010-320-1R	1	•	X					
7	COVER	R-1019-161-1/02R	1	X	X					
8	LAMP H2	0917-421-024R	1	X	X					
9	LAMP H1	0917-421-041R	1	X	X					
10	STICKER	R-0010-318-1R	1	X	X					
11	LEFT SIDE PANEL	R-1019-241-1R	1	X	X					
12	SWITCH	1115-260-009	1	X	•					
12	SWITCH	1115-260-118	1	•	X					
13	SHELF	R-3019-204-1/08R	1	X	X					
14	BRACKET	R-3019-093-1/08R	1	X	X					
15	COVER	R-1019-164-1/02R	1	X	X					

16	STICKER	2719-107-728R	1	X	X						
17	STICKER	R-0010-279-1R	1	X	X						
18	ROTARY BRACKET	1361-598-181R	1	X	X						
19	DIVIDER	R-3019-205-1/08R	1	X	X						
20	SUPPORT	R-1019-153-1/08R	1	X	X						
21	REAR PANEL	R-3019-254-1/08R	1	X	•						
21	REAR PANEL	R-3019-207-1/08R	1	•	X						
22	RIGHT SIDE PANEL	R-1019-240-1R	1	X	X						
23	REAR WHEELS	1029-660-250R	2	X	X						
24	SHELF	R-3019-026-1/08R	1	X	X						
25	BASE	R-1019-150-1/08R	1	X	X						
26	SUPPORT	R-1019-160-1/08R	1	X	X						
27	FRONT WHEELS	1029-660-127R	2	X	X						
28	FAN	R-8040-055-3R	1	X	X						
29	PARTITION	R-3019-135-1/08R	1	X	X						

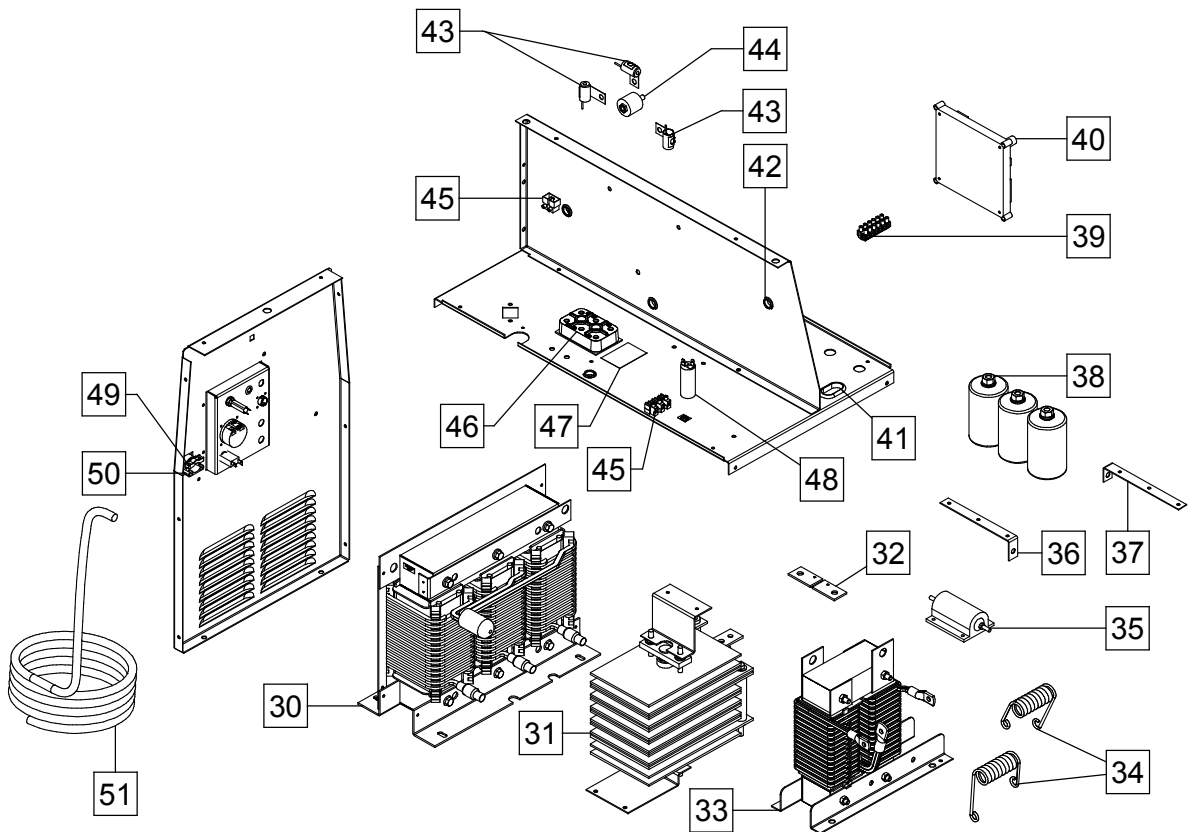


Figure B

Figure B: Machine Assembly

Item	Description	Part Number	QTY	1	2	3	4	5	6	7
30	TRANSFORMER T1	R-4034-060-2R	1	X	•					
30	TRANSFORMER T1	R-4034-059-2R	1	•	X					
31	RECTIFIER SET V1 PANEL	R-8040-244-1R	1	X	•					
31	RECTIFIER SET V1 PANEL	R-8040-243-1R	1	•	X					
32	SHUNT	0941-712-026R	1	X	X					
33	CHOKE L1	R-4034-091-2R	1	X	•					
33	CHOKE L1	R-4034-144-1R	1	•	X					
34	RESISTOR R3	R-2013-035-2R	2	X	X					
35	RESISTOR R1	1158-112-360R	1	X	X					
36	CONDUCTOR RAIL	R-1010-045-1R	1	X	X					
37	CONDUCTOR RAIL	R-1010-046-1R	1	X	X					
38	CAPACITORS C5, C6, C7	1158-128-043R	3	X	X					
39	TERMINAL BLOCK	1131-990-005R	6	X	X					
40	P.C. BOARD	Y025-1R	1	X	X					
41	RUBBER CABLE BUSH	1373-182-004R	3	X	X					

42	RUBBER CABLE BUSH	1373-182-002R	4	X	X						
43	CAPACITORS C1, C2, C3	1158-125-374R	3	X	X						
44	STAND-OFF INSULATOR	1361-599-602R	1	X	X						
45	TERMINAL BLOCK	1131-990-022R	5	x	x						
46	TERMINAL BLOCK	1361-599-255R	1	X	X						
47	STICKER	2719-107-044R	1	X	X						
48	CAPACITOR C4	1158-121-001R	1	X	X						
49	CLAMP	1361-599-633R	1	X	•						
50	CABLE RELEIF	R-0010-258-1R	1	X	•						
51	INPUT CABLE 5M	R-5041-026-1R	1	X	•						
52	INPUT CABLE 5M	R-5041-121-1R	1	•	X						
53	CLAMP (NOT SHOWN)	1361-599-620R	2	•	X						
54	RUBBER CABLE BUSH (NOT SHOWN)	1361-599-250R	1	•	X						

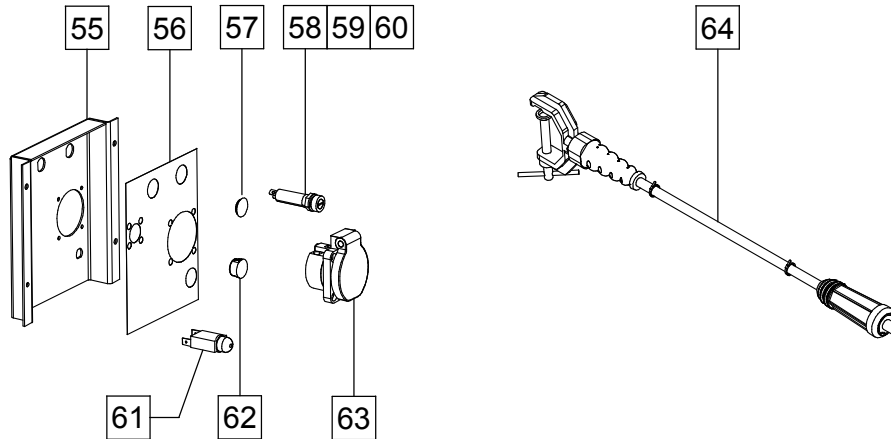


Figure C

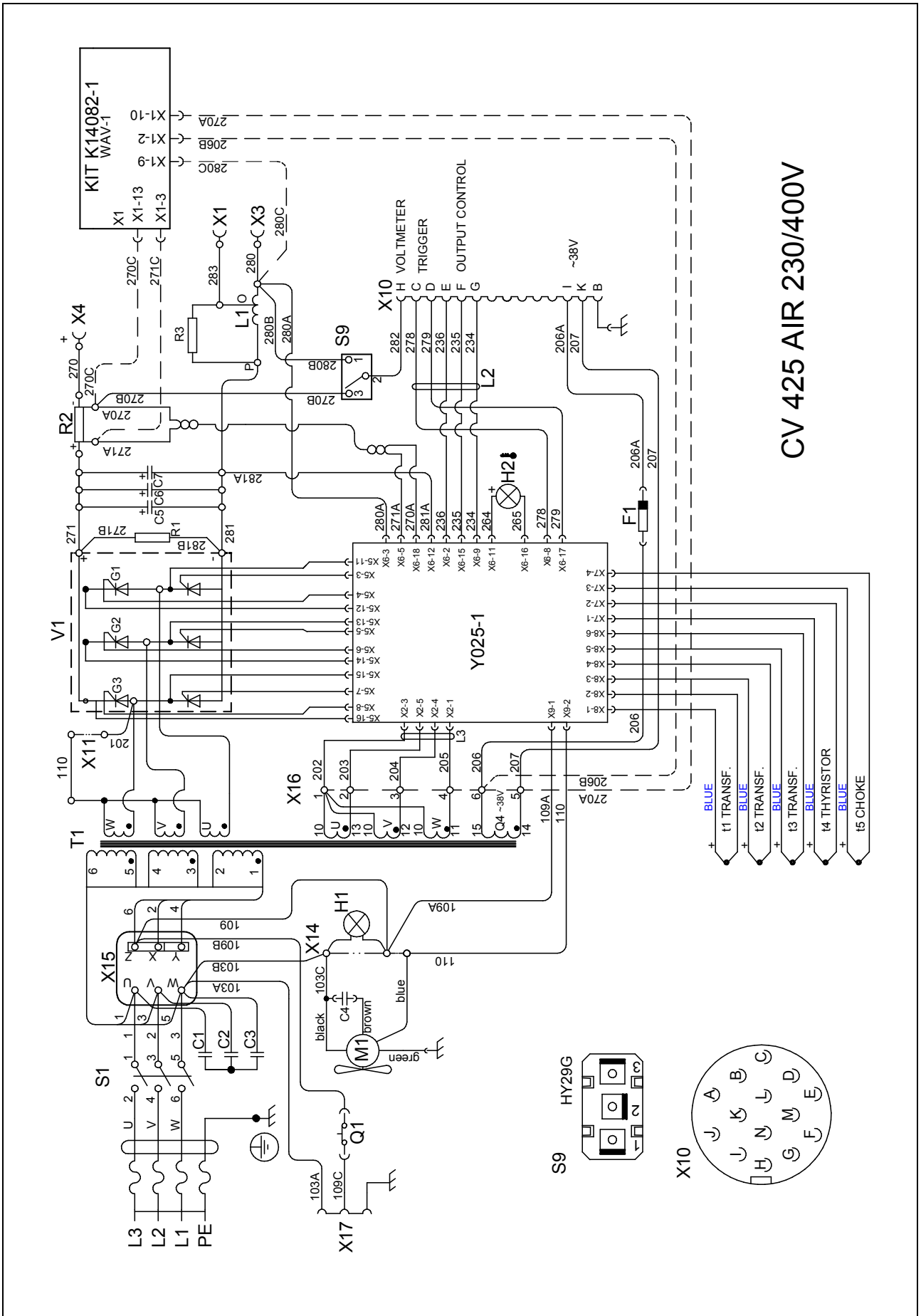
**Figure C: Machine Assembly**

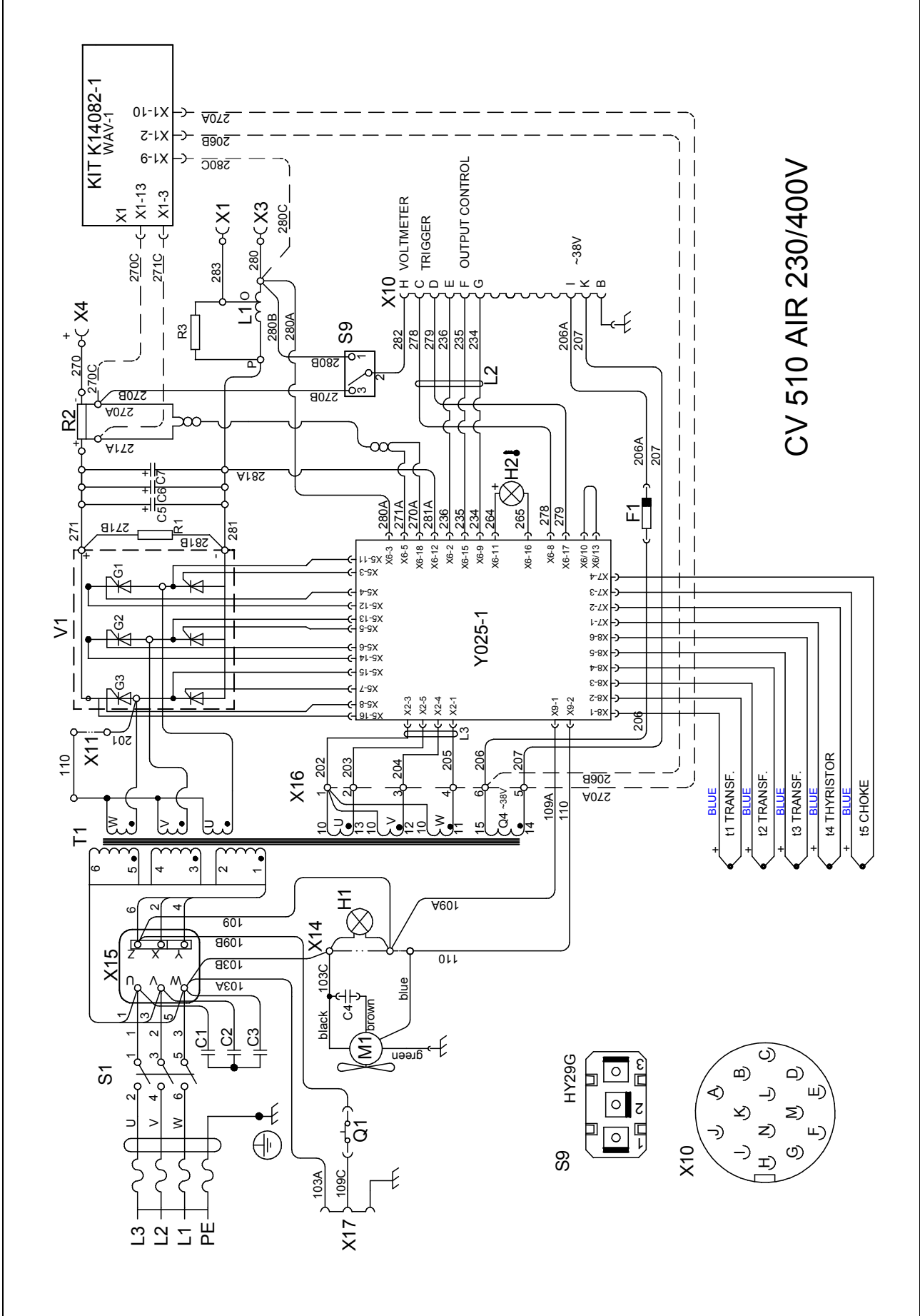
Item	Description	Part Number	QTY	1	2	3	4	5	6	7
55	PANEL	R-1019-157-1/08R	1	X	X					
56	STICKER	R-0010-441-1R	1	X	X					
57	HOLE PLUG	1119-510-005R	1	X	X					
58	FUSE SOCKET	1158-632-032R	1	X	X					
59	FUSE CAP	1158-632-033R	1	X	X					
60	FUSE F1 (6.3A, 400V)	1158-660-008R	1	X	X					
61	CIRCUIT BREAKER Q1 (ONLY WATER)	1115-299-027R	1	X	X					
62	HOLE PLUG	1361-599-058R	1	X	X					
63	SOCKET X9	1131-222-004R	1	X	X					
64	WOK CABLE 3M	K14033-1	1	X	X					

**Miscellaneous Items (not shown in figure A, B, C)**

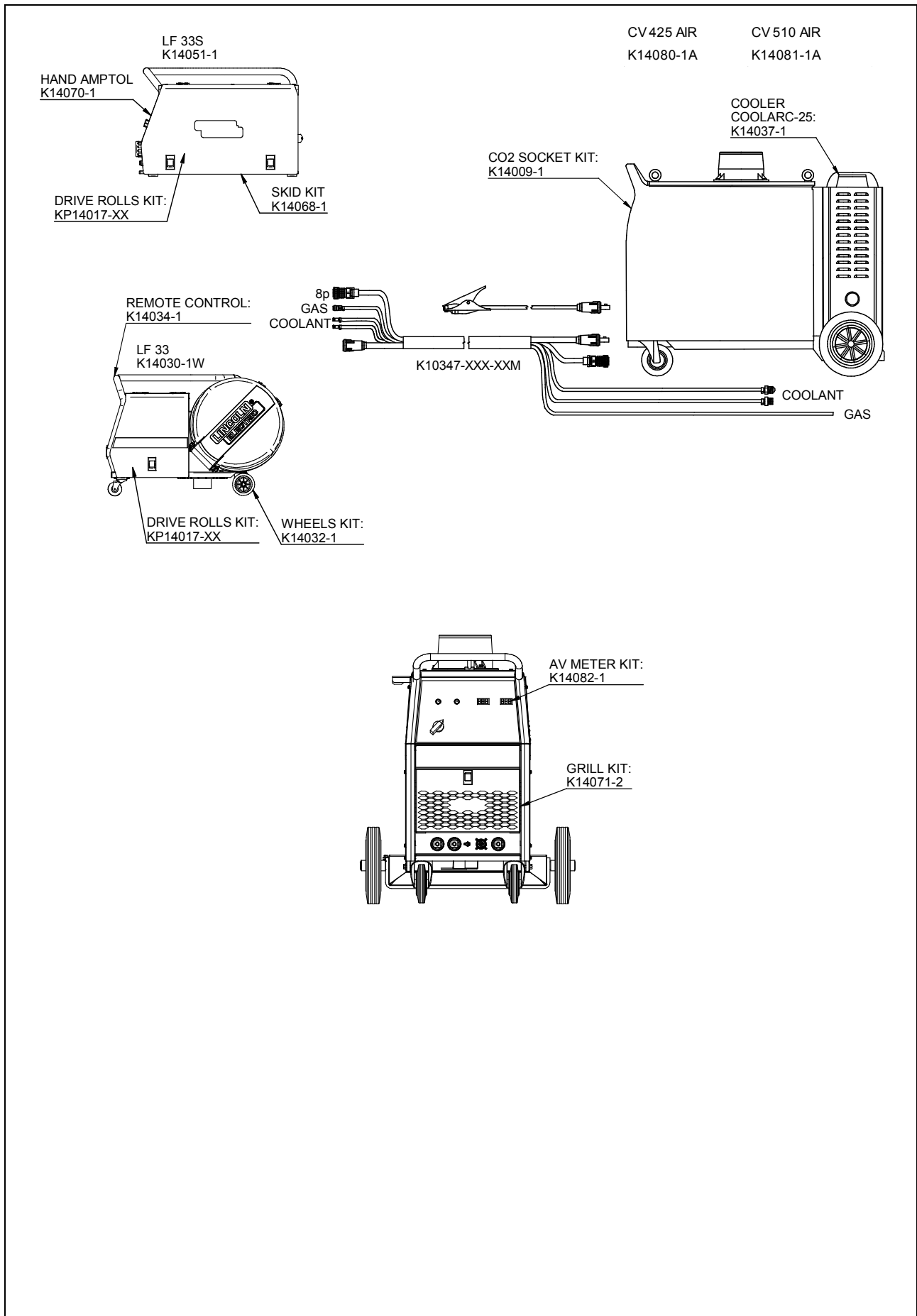
Item	Description	Part Number	QTY	1	2	3	4	5	6	7
65	WIRING HARNESS (PRIMARY)	R-5041-205-1R	1	X	X					
66	WIRING HARNESS (SECONDARY)	R-5041-206-1R	1	X	X					

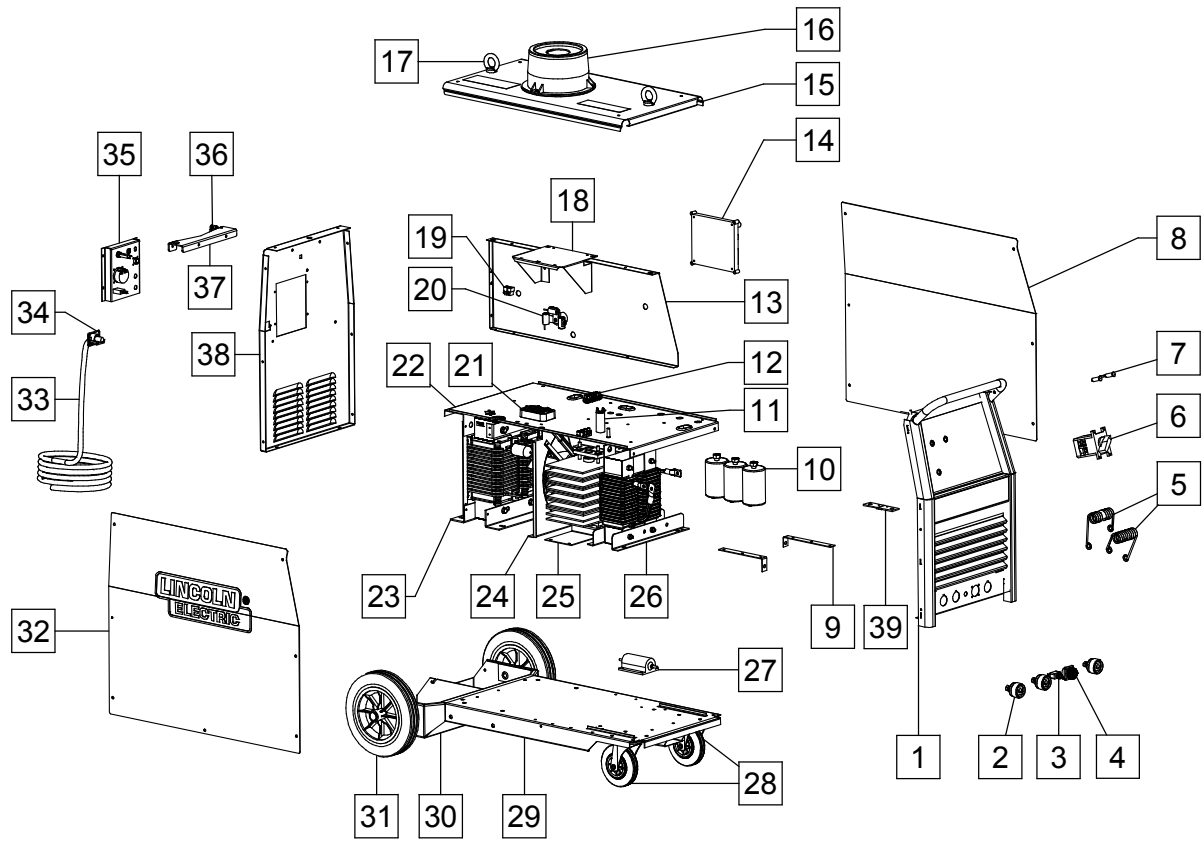
# Electrical Schematic





# Connection Diagram





Description	Ref.	Recycle				ST				
		Fe	Al	Cu	Brass	Boards	Plastics	Liquid Cristal	External Electric Cables	Capacitors
FRONT PANEL	1	X								
SOCKET	2, 4	X		X	X		X			
SWITCHES	3, 6	X			X		X			
RESISTORS	5, 27	X			X					
DIVIDER	13	X								
LAMPS	7	X					X			
RIGHT SIDE PANEL	8	X								
CONDUCTOR RAIL	9			X						
SHUNT	39			X						
CAPACITORS	10, 11, 20									X
LEFT SIDE PANEL	33	X								
COVER	15	X								
P.C. BOARD	14					X				
TERMINAL BLOCKS	12, 19, 21	X		X			X			
BRACKET	18									
ROTARY BRACKET	16						X			
LUG SCREWS	17	X								
SHELF	22	X								
BASE	29	X								
WHEELS	28, 31		X				X			
SHELF	30	X								



REAR PANEL	38	X								
TRANSFORMER	23	X		X			X			
FAN	24	X		X						
RECTIFIER	25	X	X				X			
CHOKE	26	X		X			X			
INPUT CABLE	33			X	X		X		X	
CABLE RELEIF	34						X			
CHAIN	36	X								
SUPPORT	37	X								
PANEL COMPLETE	35	X					X			