

CODE 50063

ASSEMBLY PAGE NAME			Machine Assembly
CODE NO.:	K NO.:	FIGURE NO.:	A
50063	K10340-40-5-W	LINC FEED 40 WATER	1

 - recommended parts

Figure A Machine Assembly

Item	Description	Part number	Old part number	Q-ty	A
1	Cover	0744-200-003R	L50723	1	X
2	Sticker	2719-107-028R	M50863	1	X
3	Plastic shroud assembly	0749-901-007R	M51024-2A	1	X
4	Sleeve	0744-000-196R	M51199-1	1	X
5	Base	R-3019-021-1/08R	L50726	1	X
6	Right panel	R-1019-022-2/02R	M51474-D	1	X
7	Right decal	2719-107-035R	L50747-1	1	X
8	Left panel	R-1019-022-1/02R	M51474-G	1	X
9	Left decal	2719-107-037R	L50747-2	1	X
10	Middle frame	R-1019-021-1/02R	L50727	1	X
11	Hinge	0654-610-006R	S51876-1	2	X
12	Decal water	2719-107-042R	S51906-1	1	X
13	Door bumper	0744-200-026R	T14882	4	X
14	Roof	R-3019-019-1/08R	M51477	1	X
15	Meter panel	R-3019-019-2/08R	S51942	1	X
16	Handle assembly	R-3019-020-1/08R	L50718-1	1	X
17	Meter nameplate	2719-107-039R	M51532-4	1	X
18	Wire feeder plate	0744-200-004R	M51531	1	X
19	Switch panel	R-1019-020-1/08R	S51939	1	X
20	Carter	R-1019-020-5/08R	S51938	1	X
21	Pivot plastic top part	1361-598-180R	S51891-1	1	X
22	Nameplate	2719-107-038R	M51522-4	1	X
23	Foot	0744-200-005R	S20979	4	X
24	Control PCB G3884-1 (programmed)	R-8040-027-1R	G3884-1	1	X
25	EPN-11 PCB Support	1119-510-019R	S19300-2	3	X
26	Meter PCB	0744-200-029R	L11757-1	1	X
27	Enkoder E1, E2	0744-200-043R	M17789-3	2	X
28	Voltage sense PCB EPN-11	0918-432-004R	M19540-1	1	X
29	MSP3 PCB	0744-200-045R	M19790-1	1	X
30	Clamp	C-2631-420-1/08R	S51397-2	1	X
31	Rear panel	R-1019-020-4/08R	M51473-1	1	X
32	Insulator	0744-200-025R	S51940	1	X
33	Gas connector	R-2010-002-1R	S51623	1	X
34	Gas solenoid 12V	0972-423-008R	M51206-1	1	X
35	Connector	R-2013-060-1R	S51632	1	X
36	Quick connector female	0744-000-152R	S19664	4	X
37	Insulator	0744-200-002R	M18021	1	X
38	Input male plug X6	1158-641-110R	S12020-47	1	X
39	Aluminium ring	R-2013-032-1R	S23703	1	X
40	Fast mate adaptor (male) X5	D-2985-002-1R	S51880-1	1	X
41	Flow meter FS	0943-719-007R	S51882-1	1	X

42	Wire feeder motor M	R-8040-024-2R	M51518	1	X
43	Wire drive system (see figure B)	0646-231-020R	M51519	1	X
44	Euro connector	0646-233-054R	S51899	1	X
	Support	R-2010-003-1R	S51905-1	1	X
45	Potentiometr knob	9ET10491R	T10491	2	X
46	Remote control receptacle X7	1158-641-051R	S12021-3	1	X
47	Amphenol cap	1158-641-128R	S17062-2	1	X
48	Push-pull receptacle X8	1158-641-144R	S12021-17	1	X
49	Amphenol cap	1158-641-039R	S17062-1	1	X
50	Status LED PCB UFD-13	0744-200-046R	S52090-1	1	X
51	Switch 6FC53-73	1158-650-022R	T10800-48	3	X
52	Rectifire set V	1156-112-063R	T13637-1	1	X
53	Switch 2FA53-73	1158-650-021R	T10800-4	2	X
54	Test decal	2719-107-040R	S51893	1	X
55	Switch decal	2719-107-041R	S51896	1	X
56	Spool adaptor	K10158	M50641-A	1	X
57	Support	R-1019-020-3R	-----	1	X
58	Hall effect sensor	0943-719-008R	S20373	1	X
59	Input male plug harness (non shown)	R-5041-033-1R	-----	1	X
60	Cover harness (non shown)	R-5041-035-1R	-----	1	X
61	Grounding harness to cover assembly (non shown)	R-5041-036-1R	-----	1	X
62	Grounding harness to switch assembly (non shown)	R-5041-036-2R	-----	1	X
63	Push-pull receptacle harness (non shown)	R-7040-082-1R	-----	1	X
64	Current-carrying wire 1X70mm2 (non shown)	R-5041-012-7R	M50850-62	1	X
65	Magnetic ring (non shown)	0943-719-005R	-----	2	X
66	Hall effect switch cover (non shown)	0744-200-008R	-----	3	X

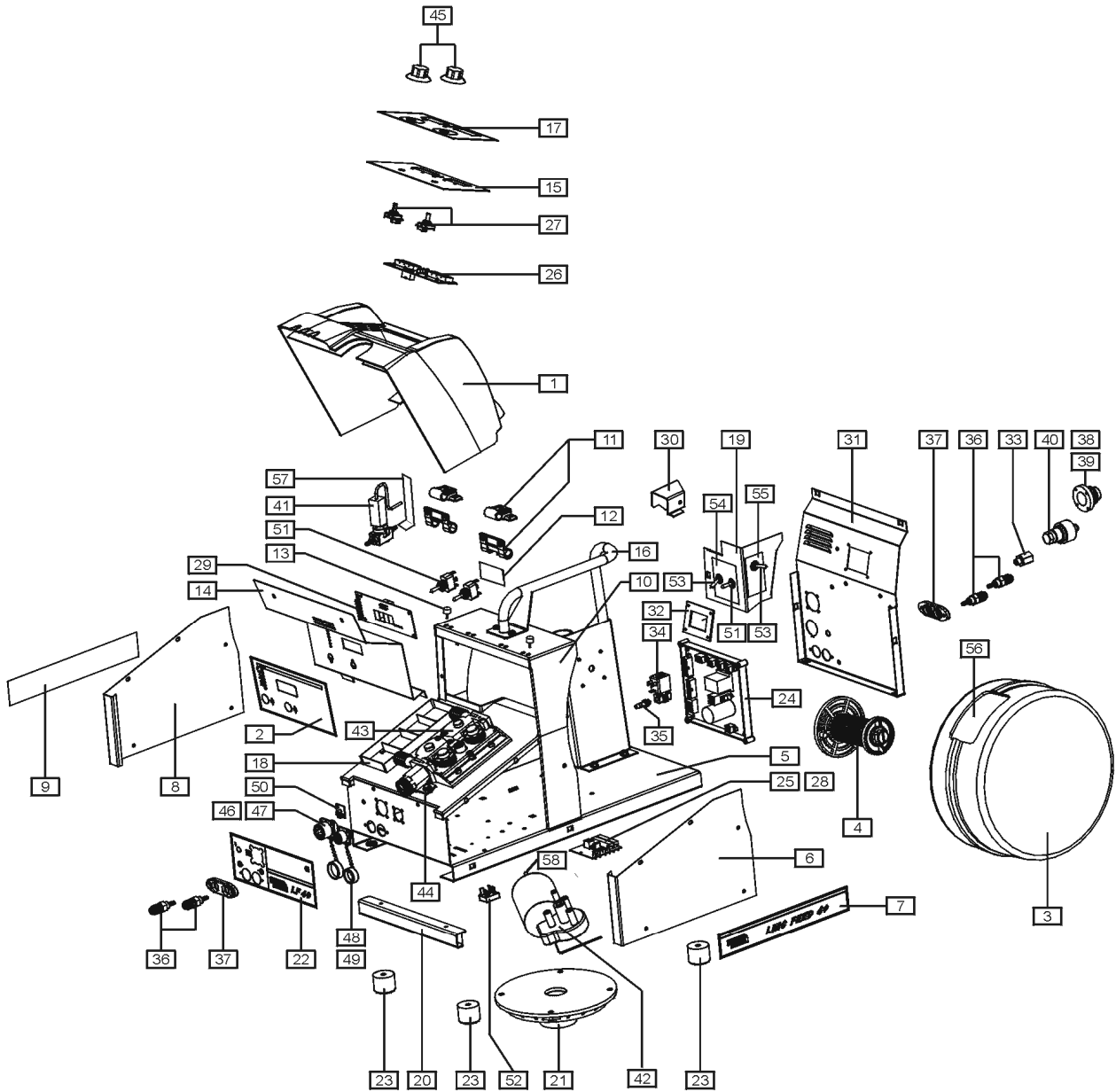


Figure A