

CODE 50041

ASSEMBLY			Machine Assembly	Wire Drive Assembly
PAGE NAME				
CODE NO.:	K NO.:	FIGURE NO.:	A	B
50041	K14030-1W	LINC FEED 33	1	1

Machine assembly				
Item	Description	Part Number	QTY	1
1	CONTROL P.C. BOARD G4560	C-3731-399-2R	1	X
2	CONTROL P.C. BOARD US-67	0918-432-068R	1	X
3	CONTROL P.C. BOARD PD-5	0918-432-073R	1	X
4	POTENTIOMETERS R12, R13, R14	1158-113-304R	3	X
5	SWITCH S8	1158-650-023R	1	X
6	SWITCH S7	1158-650-021R	1	X
7	SWITCH S6	1158-650-022R	1	X
8	KNOB	9ET13639-3R	2	X
9	KNOB	9ET10491R	2	X
10	SHUNT B1	0941-712-025R	1	X
11	GAS VALVE K2	0972-423-038R	1	X
12	RECTIFIER SET V2	1156-112-044R	1	X
13	QUICK CONNECT COUPLING	0744-000-152R	4	X
14	SOCKET X5	D-2985-002-1R	1	X
15	SOCKET X11	1158-641-008R	1	X
16	QUICK CONNECT COUPLING	0744-000-149R	1	X
17	SOCKET X13	1158-641-129R	1	X
18	EURO SLEEVE	1361-599-708R	1	X
19	TURNING WHEEL	1029-660-003R	2	X
20	WHEEL	1029-660-081R	2	X
21	HINGE	0654-610-004R	1	X
22	PIVOT PLASTIC PART	1361-598-180R	1	X
23	PLASTIC SHROUD ASSEMBLY	0749-901-008R	1	X
24	SLEEVE	0744-000-192R	1	X
25	TOP PANEL WITH LABELS	R-8040-043-1R	1	X
26	LEFT SIDE PANEL WITH LABEL	R-8040-065-1R	1	X
27	FRONT PANEL WITH LABELS	R-8040-051-1R	1	X
28	RIGHT SIDE PANEL WITH LABEL	R-8040-037-4R	1	X

Wire Drive Assembly				
Item	Description	Part Number	QTY	1
1	MOTOR M2	1111-722-047R	1	X
2	WIRE DRIVE ASSEMBLY	0744-000-165R	1	X
3	EURO SOCKET (outlet guide) X1	R-8040-042-1R	1	X

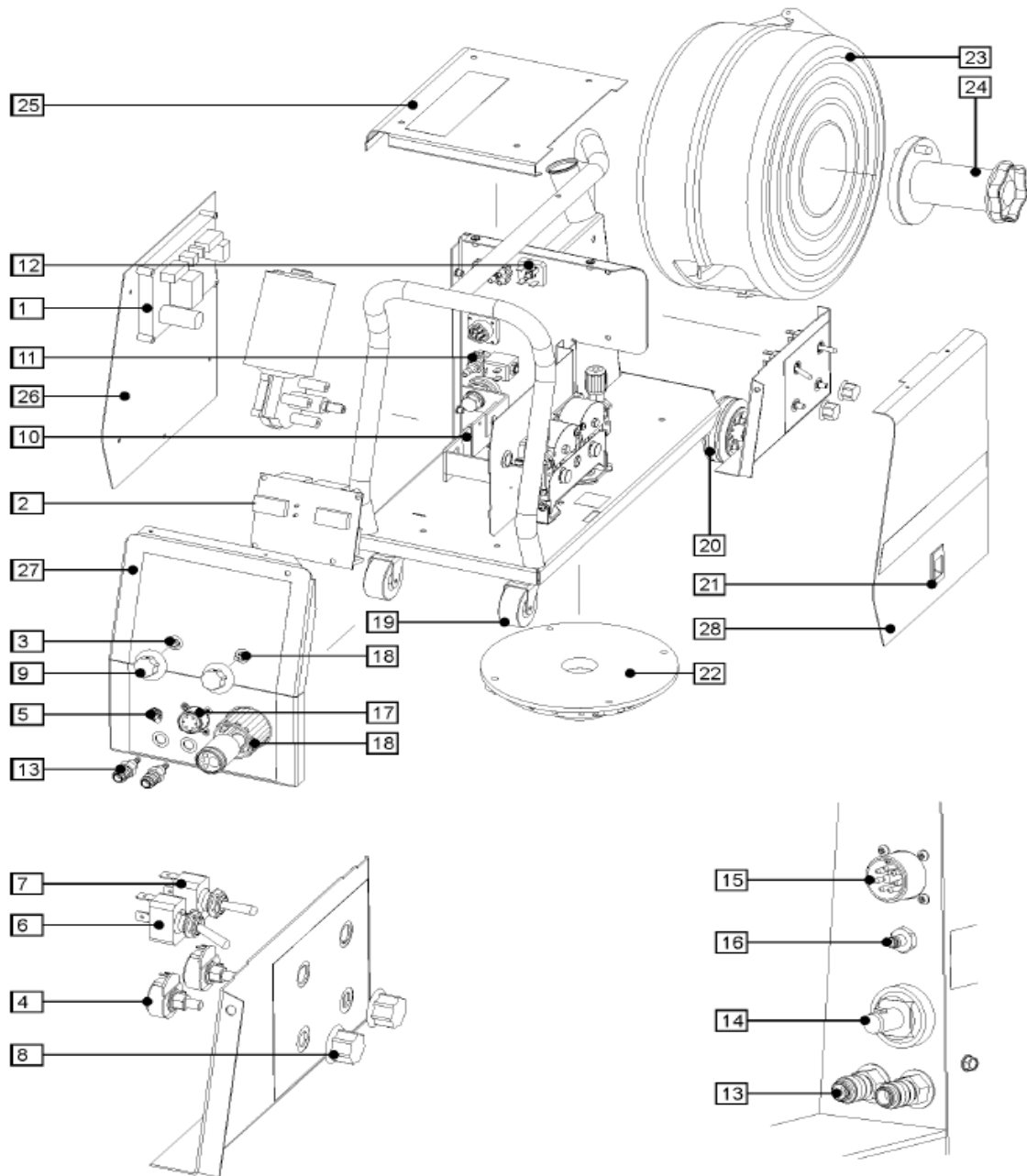


Figure A

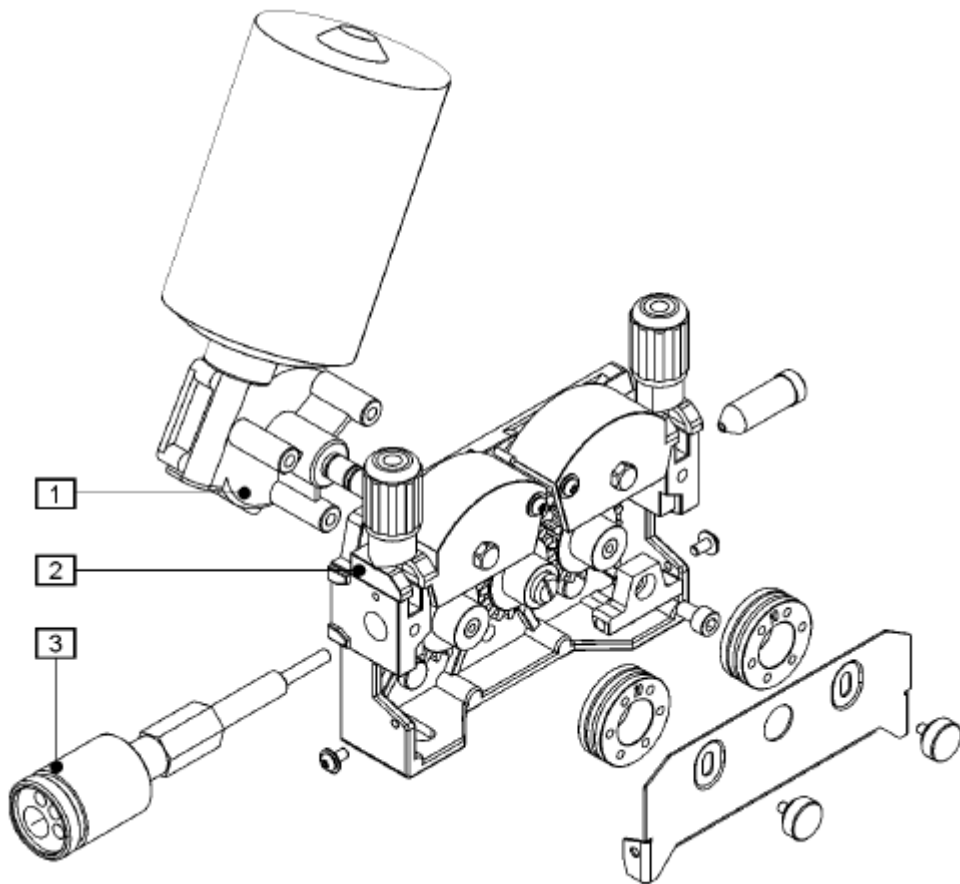


Figure B