

## CODE 50031, 50033, 50035

ASSEMBLY PAGE NAME			Machine Assembly	Machine Assembly
CODE NO.:	K NO.:	FIGURE NO.:	A	B
50031	K14024-1	LINC FEED 22	1	1
50033	K14025-1W	LINC FEED 24	2	2
50035	K14026-1W	LINC FEED 24 PRO	3	2

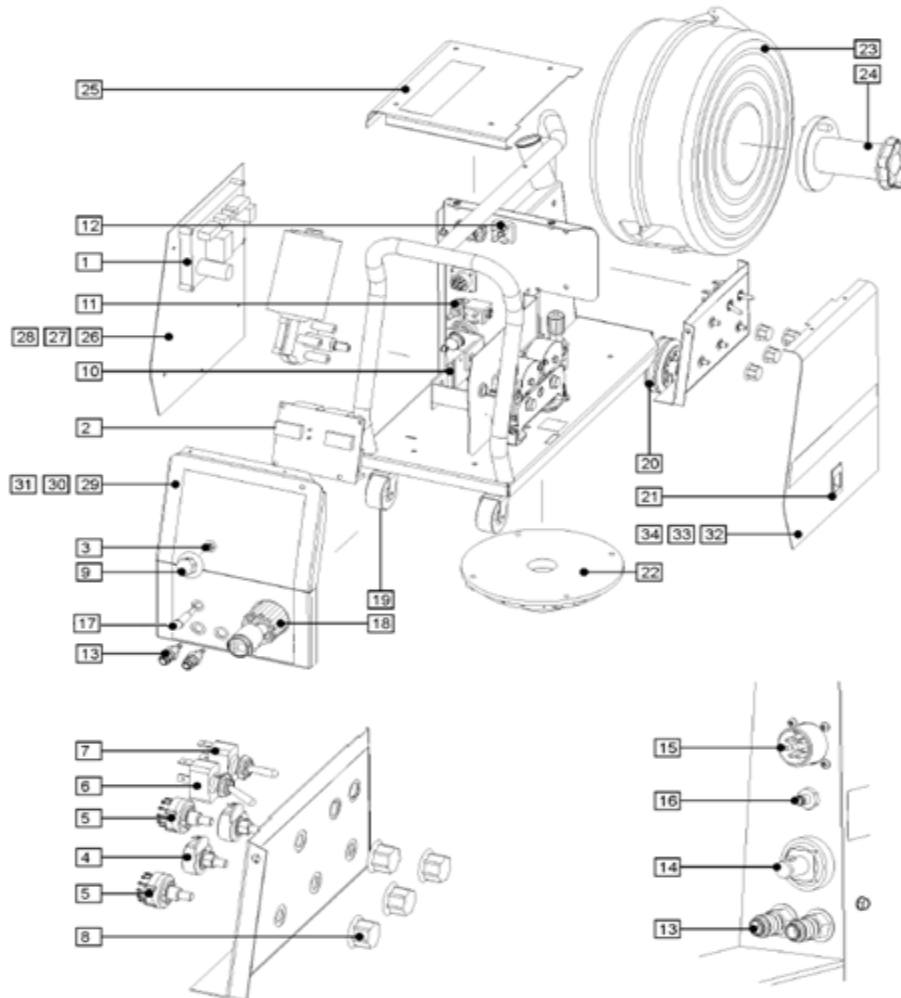


Figure A  
Figure A: Machine Assembly

Item	Description	Part Number	QTY	1	2	3	4
1	CONTROL P.C. BOARD G4560	C-3731-399-1R	1	X	-	-	
	CONTROL P.C. BOARD G4560	C-3731-399-2R	1	-	X	X	
2	CONTROL P.C. BOARD US-67	0918-432-068R	1	-	-	X	
3	CONTROL P.C. BOARD PD-5	0918-432-073R	1	-	-	X	
4	POTENTIOMETERS R11	1158-113-304R	1	X	X	-	
	POTENTIOMETERS R12, R13	1158-113-304R	2	X	X	X	
5	SWITCH S4, S5	D-4542-012-2R	2	-	-	X	
6	SWITCH S7	1158-650-021R	1	X	X	X	
7	SWITCH S6	1158-650-022R	1	X	X	X	
8	KNOB	9ET13639-3R	4	-	-	X	
	KNOB	9ET13639-3R	2	X	X	-	
9	KNOB	9ET10491R	1	X	X	X	

10	SHUNT B1	0941-712-025R	1	-	-	X	
11	GAS VALVE K2	0972-423-038R	1	X	X	X	
12	RECTIFIER SET V2	1156-112-044R	1	X	X	X	
13	QUICK CONNECT COUPLING	0744-000-152R	4	-	X	X	
14	SOCKET X5	D-2985-002-1R	1	X	X	X	
15	SOCKET X11	1158-641-129R	1	X	X	X	
16	QUICK CONNECT COUPLING	0744-000-149R	1	X	X	X	
17	LAMP H1	0917-421-024R	1	X	X	X	
18	EURO SLEEVE	1361-599-708R	1	X	X	X	
19	TURNING WHEEL	1029-660-003R	2	X	X	X	
20	WHEEL	1029-660-081R	2	X	X	X	
21	HINGE	0654-610-004R	1	X	X	X	
22	PIVOT PLASTIC PART	1361-598-180R	1	X	X	X	
23	PLASTIC SHROUD ASSEMBLY	0749-901-008R	1	X	X	X	
24	SLEEVE	0744-000-192R	1	X	X	X	
25	TOP PANEL WITH LABELS	R-8040-043-1R	1	X	X	X	
26	LEFT SIDE PANEL WITH LABEL	R-8040-037-8R	1	X	-	-	
27	LEFT SIDE PANEL WITH LABEL	R-8040-037-5R	1	-	X	-	
28	LEFT SIDE PANEL WITH LABEL	R-8040-037-2R	1	-	-	X	
29	FRONT PANEL WITH LABELS	R-8040-077-2R	1	X	-	-	
30	FRONT PANEL WITH LABELS	R-8040-077-3R	1	-	X	-	
31	FRONT PANEL WITH LABELS	R-8040-036-1R	1	-	-	X	
32	RIGHT SIDE PANEL WITH LABEL	R-8040-037-9R	1	X	-	-	
33	RIGHT SIDE PANEL WITH LABEL	R-8040-037-6R	1	-	X	-	
34	RIGHT SIDE PANEL WITH LABEL	R-8040-037-3R	1	-	-	X	

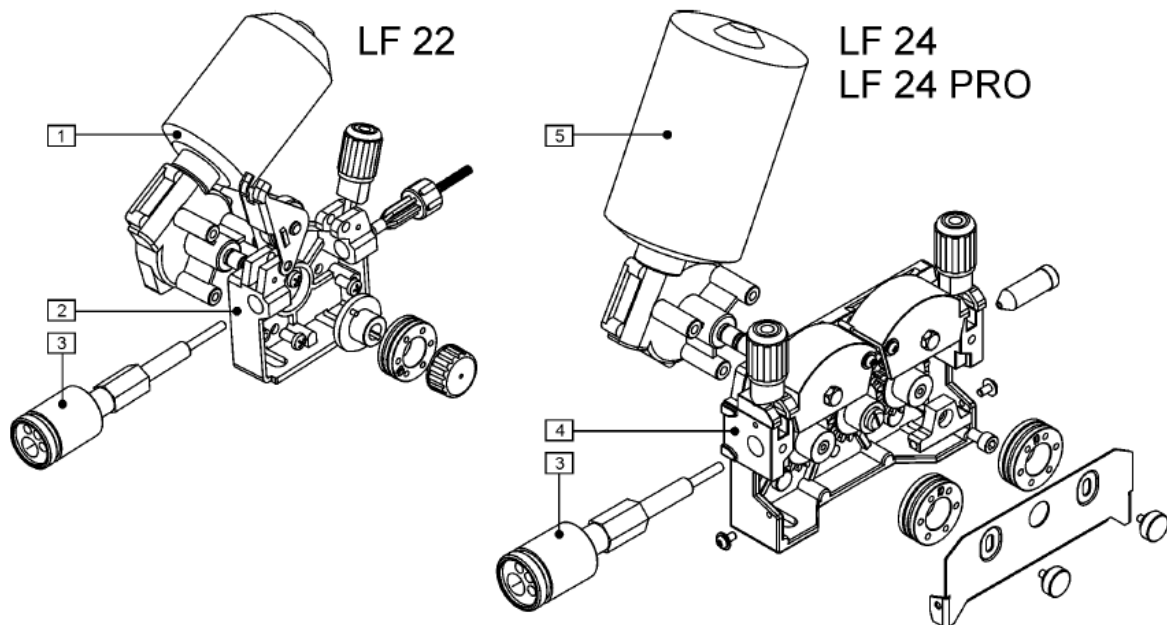


Figure B

Figure B: Wire Drive Assembly

Item	Description	Part Number	QTY	1	2	3
1	MOTOR M2	1111-722-046R	1	X	-	
2	WIRE DRIVE ASSEMBLY	0744-000-169R	1	X	-	
3	EURO SOCKET (outlet guide) X1	R-8040-042-1R	1	X	X	
4	WIRE DRIVE ASSEMBLY	0744-000-165R	1	-	X	
5	MOTOR M2	1111-722-047R	1	-	X	