

CODE 50113, 50114, 50115

ASSEMBLY PAGE NAME			Machine Assembly	Wire Drive Assembly LF 22	Wire Drive Assembly LF 24 / LF 24 PRO
CODE NO.:	K NO.:	FIGURE NO.:	A	B	C
50113	K14024-1	LINC FEED 22	1	1	-
50114	K14025-1W	LINC FEED 24	2	-	1
50115	K14026-1W	LINC FEED 24 PRO	3	-	1

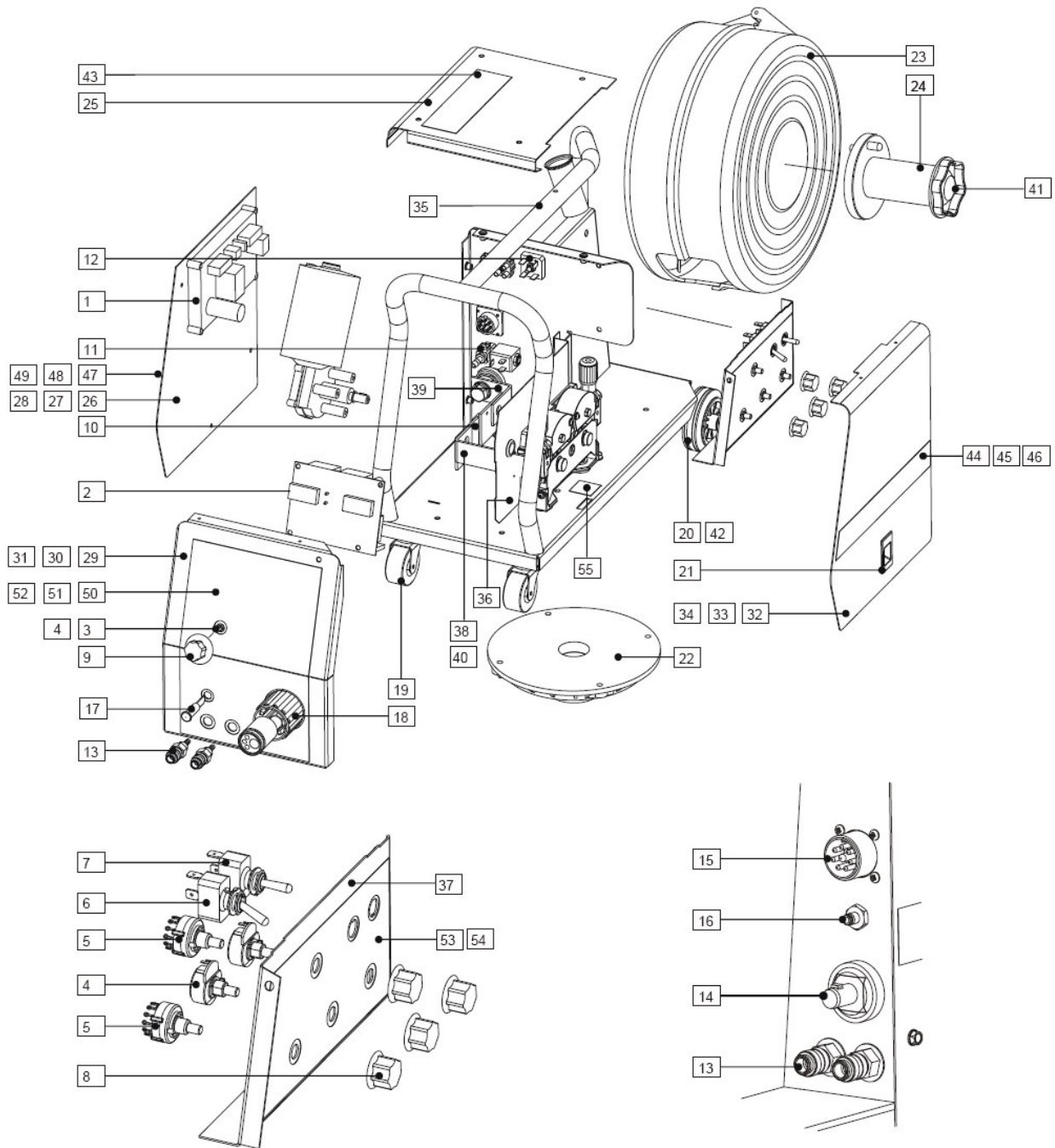


Figure A

Figure A:Machine Assembly

Item	Description	Part Number	QTY	1	2	3
1	CONTROL P.C. BOARD G4560	C-3731-399-1R	1	X	-	-
	CONTROL P.C. BOARD G4560	C-3731-399-2R	1	-	X	X
2	CONTROL P.C. BOARD US-67	0918-432-068R	1	-	-	X
3	CONTROL P.C. BOARD PD-5	0918-432-073R	1	-	-	X
4	POTENTIOMETERS R11	1158-113-304R	1	X	X	-
	POTENTIOMETERS R12, R13	1158-113-304R	2	X	X	X
5	SWITCH S4, S5	D-4542-012-2R	2	-	-	X
6	SWITCH S7	1158-650-021R	1	X	X	X
7	SWITCH S6	1158-650-022R	1	X	X	X
8	KNOB	9ET13639-3R	4	-	-	X
	KNOB	9ET13639-3R	2	X	X	-
9	KNOB	9ET10491R	1	X	X	X
10	SHUNT B1	0941-712-025R	1	-	-	X
11	GAS VALVE K2	0972-423-038R	1	X	X	X
12	RECTIFIER SET V2	1156-112-044R	1	X	X	X
13	QUICK CONNECT COUPLING	0744-000-152R	4	-	X	X
14	SOCKET X5	D-2985-002-1R	1	X	X	X
15	SOCKET X11	1158-641-129R	1	X	X	X
16	QUICK CONNECT COUPLING	0744-000-149R	1	X	X	X
17	LAMP H1	0917-421-024R	1	X	X	X
18	EURO SOCKET	R-8040-042-3R	1	X	X	X
	EURO SLEEVE	1361-599-708R	1	X	X	X
19	TURNING WHEEL	1029-660-003R	2	X	X	X
20	WHEEL	1029-660-081R	2	X	X	X
21	HINGE	0654-610-004R	1	X	X	X
22	PIVOT PLASTIC PART	1361-598-180R	1	X	X	X
23	PLASTIC SHROUD ASSEMBLY	0749-901-003R	1	X	X	X
24	SLEEVE	0744-000-192R	1	X	X	X
25	TOP PANEL WITH LABELS	R-8040-043-1R	1	X	X	X
26	LEFT SIDE PANEL WITH LABEL	R-8040-037-8R	1	X	-	-
27	LEFT SIDE PANEL WITH LABEL	R-8040-037-5R	1	-	X	-
28	LEFT SIDE PANEL WITH LABEL	R-8040-037-2R	1	-	-	X
29	FRONT PANEL WITH LABELS	R-8040-077-2R	1	X	-	-
30	FRONT PANEL WITH LABELS	R-8040-077-3R	1	-	X	-
31	FRONT PANEL WITH LABELS	R-8040-036-1R	1	-	-	X
32	RIGHT SIDE PANEL WITH LABEL	R-8040-037-9R	1	X	-	-
33	RIGHT SIDE PANEL WITH LABEL	R-8040-037-6R	1	-	X	-
34	RIGHT SIDE PANEL WITH LABEL	R-8040-037-3R	1	-	-	X
35	RACK	R-3019-023-1/08R	1	X	X	X
36	DIVIDER PANEL	C-2722-400-1/08R	1	X	X	X
37	DIVIDER PANEL	R-3019-022-2/08R	1	X	X	X
38	CONDUCTOL-RAIL	R-1010-008-1R	1	-	-	X
39	CONDUCTOL-RAIL	R-1010-007-1R	1	-	-	X
40	CONDUCTOL-RAIL	R-1010-009-1R	1	X	X	-
41	PLASTIC CAP	B11035-1	1	X	X	X
42	AXLE	R-2013-021-1R	1	X	X	X
43	WARRING LABEL	2719-107-728R	1	X	X	X
44	LABEL LEFT SIDE PANEL	2719-107-982R	1	X	-	-
45	LABEL LEFT SIDE PANEL	2719-107-984R	1	-	X	-
46	LABEL LEFT SIDE PANEL	2719-107-986R	1	-	-	X
47	LABEL RIGHT SIDE PANEL	2719-107-098R	1	X	-	-
48	LABEL RIGHT SIDE PANEL	2719-107-983R	1	-	X	-
49	LABEL RIGHT SIDE PANEL	2719-107-192R	1	-	-	X

50	LABEL FRONT PANEL	2719-107-253R	1	X	-	-
51	LABEL FRONT PANEL	2719-107-103R	1	-	X	-
52	LABEL FRONT PANEL	2719-107-105R	1	-	-	X
53	LABEL PARAMETERS	2719-107-972R	1	X	X	-
54	LABEL PARAMETERS	2719-107-097R	1	-	-	X
55	WARRING LABEL (HAND)	2719-107-732R	1	X	X	X
56	HARNESS	R-7040-012-3R	1	X	-	-
57	HARNESS	R-7040-012-2R	1	-	X	-
58	HARNESS	R-7040-012-1R	1	-	-	X

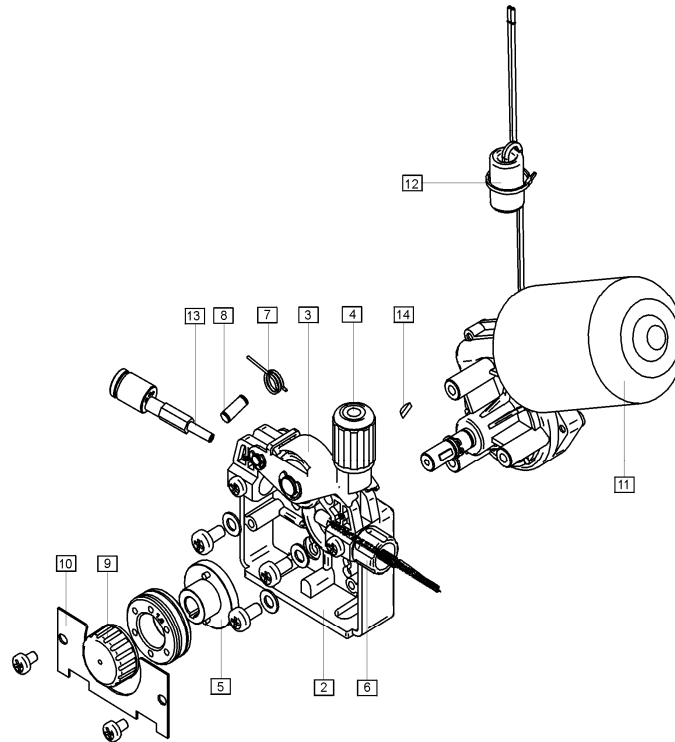
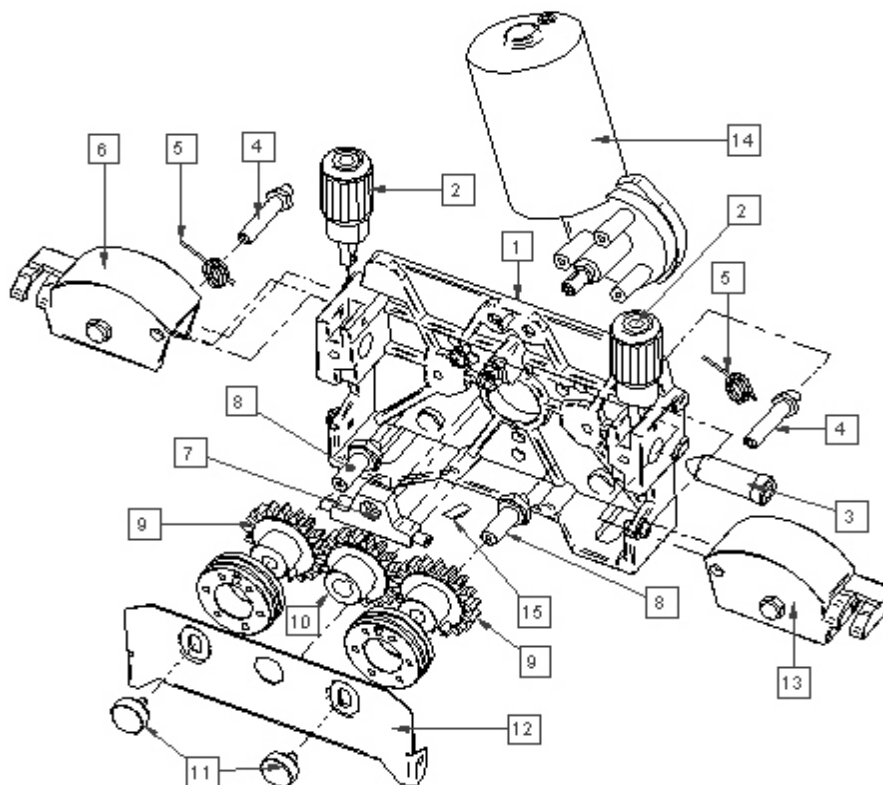


Figure B

Figure B: Wire Drive Assembly LF 22

Item	Description	Part number	QTY	1
1	WIRE FEEDER COMPLETE	0744-000-169R	1	X
2	FEED PLATE	0646-231-123R	1	X
3	PRESSURE ARM COMPLETE	0646-231-096R	1	X
4	FIXING ARM COMPL.	0646-231-097R	1	X
5	ADAPTER COPL.	0744-000-194R	1	X
6	INLET GUIDE COMPLETE	0744-000-193R	1	X
7	SPRING PRESSURE ARM	0646-231-125R	1	X
8	AXIS PRESSURE ARM	0646-231-120R	1	X
9	FIXING CAP	0744-000-195R	1	X
10	METAL COVER	0646-231-127R	1	X
11	D.C. MOTOR	1111-722-046R	1	X
12	FERRITE TUBE	1158-290-036R	1	X
13	WIRE GUIDE TUBE	D-1829-066-4R	1	X
14	WOODRUFF KEY	0646-231-102R	1	X


Figure C
Figure C: Wire Drive Assembly LF 24 / LF24 PRO

Item	Description	part number	QTY	1	French item
	WIRE FEEDER COMPL.	0744-000-165R	1	X	
1	FEED PLATE	0646-233-002R	1	X	S51997-1
2	FIXING ARM COMPL.	0646-233-015R	2	X	
3	INLET GUIDE	0646-233-025R	1	X	T51125
4	AXIS PRESSURE ARM	0646-233-003R	2	X	S51997-2
5	SPRING PRESSURE ARM	0646-233-013R	2	X	S51997-12
6	PRESSURE ARM COMPL.L	0646-233-007R	1	X	S51997-5
7	INTERMEDIATE GUIDE	0646-233-023R	1	X	T51126
8	AXIS DRIVE ROLL	0646-233-020R	2	X	S51997-19
9	GEAR WHEEL ROLL	0646-231-090R	2	X	S51889-2
10	GEAR WHEEL MOTOR	0646-233-028R	1	X	S51888
11	FIXING CAP	0744-000-190R	2	X	S51997-20
12	METAL COVER	0646-233-027R	1	X	S51997-23
13	PRESSURE ARM COMPL.R	0646-233-005R	1	X	S51997-4
14	MOTOR -28V	1111-722-047R	1	X	L12073
15	WOODRUFF KEY	0646-231-102R	1	X	