

CODE 50116

ASSEMBLY PAGE NAME			Machine Assembly	Wire Drive Assembly
CODE NO.:	K NO.:	FIGURE NO.:	A	B
50116	K14030-1W	LINC FEED 33	1	1

 - recommended parts

Machine assembly				
Item	Description	Part Number	QTY	1
1	CONTROL P.C. BOARD G4560	C-3731-399-2R	1	X
2	CONTROL P.C. BOARD US-67	0918-432-068R	1	X
3	CONTROL P.C. BOARD PD-5	0918-432-073R	1	X
4	POTENTIOMETERS R12, R13, R14	1158-113-304R	3	X
5	SWITCH S8	1158-650-025R	1	X
6	SWITCH S7	1158-650-021R	1	X
7	SWITCH S6	1158-650-022R	1	X
8	KNOB	9ET13639-3R	2	X
9	KNOB	9ET10491R	2	X
10	QUICK CONNECT COUPLING	0744-000-152R	4	X
11	SOCKET X13	1158-641-008R	1	X
12	EURO SLEEVE	1361-599-708R	1	X
13	FRONT PANEL WITH LABELS	R-8040-051-1R	1	X
14	LABEL FRONRT PANEL	2719-107-170R	1	X
15	SHUNT B1	0941-712-025R	1	X
16	CONDUCTOR RAIL	R-1010-008-1R	1	X
17	CONDUCTOR RAIL	R-1010-007-1R	1	X
18	GAS VALVE K2	0972-423-038R	1	X
19	RECTIFIER SET V2	1156-112-044R	1	X
20	SOCKET X11	1158-641-129R	1	X
21	QUICK CONNECT COUPLING	0744-000-149R	1	X
22	SOCKET X5	D-2985-002-1R	1	X
23	TURNING WHEEL	1029-660-003R	2	X
24	WHEEL	1029-660-081R	2	X
25	AXLE	R-2013-021-1R	1	X
26	LOCK	0654-610-004R	1	X
27	PIVOT PLASTIC PART	1361-598-180R	1	X
28	PLASTIC SHROUD ASSEMBLY	0749-901-003R	1	X
29	SLEEVE	0744-000-192R	1	X
30	PLASIC NUT	B11035-1	1	X
31	RACK	R-3019-023-1/08R	1	X
32	TOP PANEL WITH LABELS	R-8040-043-1R	1	X
33	WARRING LABEL	2719-107-728R	1	X
34	LEFT SIDE PANEL WITH LABEL	R-8040-065-1R	1	X
35	LABEL LEFT SIDE PANEL	2719-107-252R	1	X

36	RIGHT SIDE PANEL WITH LABEL	R-8040-037-4R	1	X
37	LABEL RIGHT SIDE PANEL	2719-107-251R	1	X
38	DIVIDER PANEL	R-3019-029-1/08R	1	X
39	LABEL	2719-107-973R	1	X
40	WARRING LABEL	2719-107-732R	1	X
41	HARNESS	R-7040-022-1R	1	X

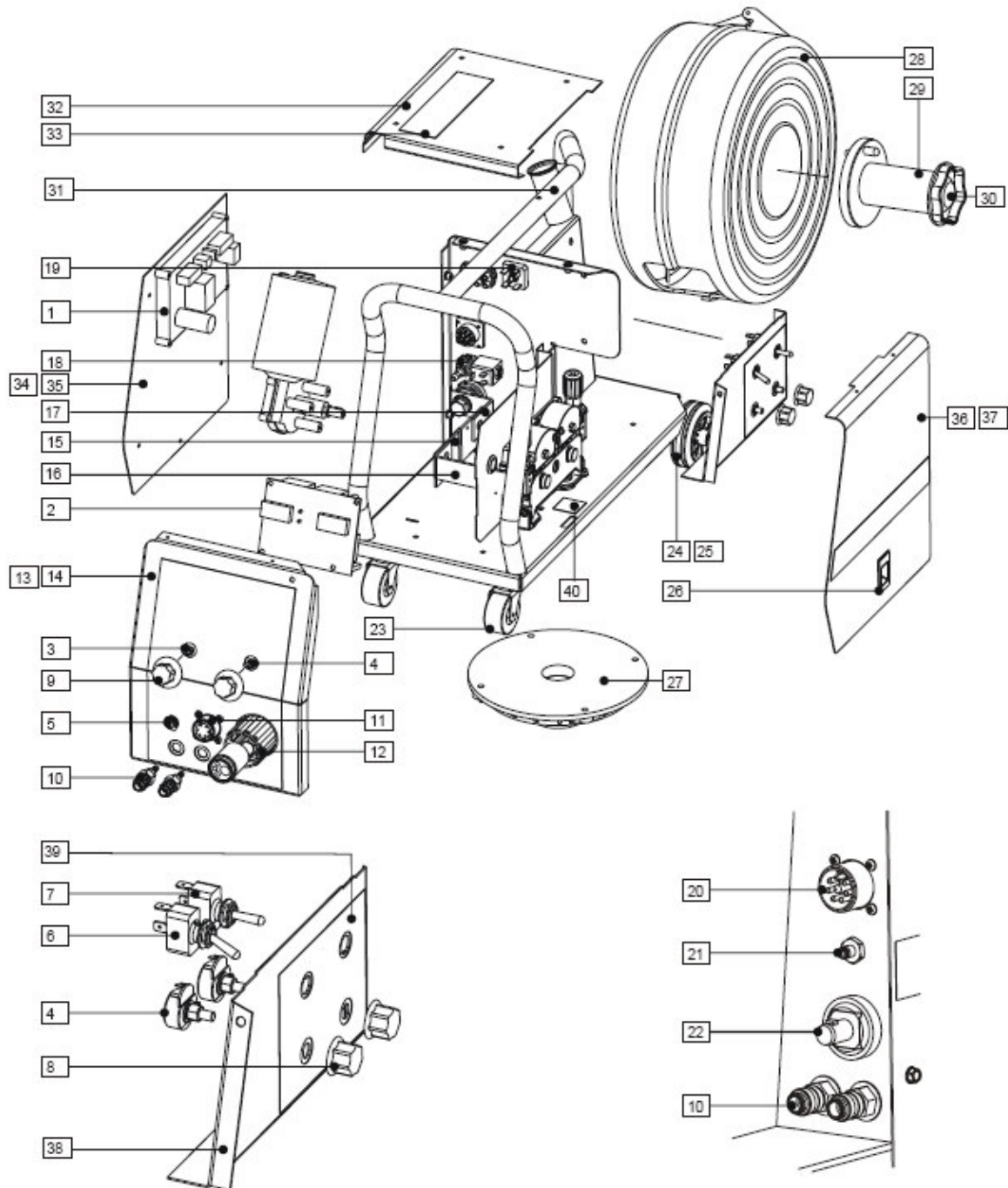


Figure A

ASSEMBLY PAGE NAME			Machine Assembly	Wire Drive Assembly
CODE NO.:	K NO.:	FIGURE NO.:	A	B
50116	K14030-1W	LINC FEED 33	1	1

 - recommended parts

Wire Drive Assembly				
Item	Description	Part Number	QTY	1
	WIRE DRIVE ASSEMBLY	0744-000-165R	1	X
1	FEED PLATE	0646-233-002R	1	X
2	FIXING ARM COMPL.	0646-233-015R	2	X
3	INLET GUIDE	0646-233-025R	1	X
4	AXIS PRESSURE ARM	0646-233-003R	2	X
5	SPRING PRESSURE ARM	0646-233-013R	2	X
6	PRESSURE ARM COMPL.L	0646-233-007R	1	X
7	INTERMEDIATE GUIDE	0646-233-023R	1	X
8	AXIS DRIVE ROLL	0646-233-020R	2	X
9	GEAR WHEEL ROLL	0646-231-090R	2	X
10	GEAR WHEEL MOTOR	0646-233-028R	1	X
11	FIXING CAP	0744-000-190R	2	X
12	METAL COVER	0646-233-027R	1	X
13	PRESSURE ARM COMPL.R	0646-233-005R	1	X
14	MOTOR M2	1111-722-047R	1	X
15	EURO SOCKET (outlet guide) X1	R-8040-042-1R	1	X
16	OUTLET GUIDE	R-2010-006-1R	1	X
17	WOODROF KEY	0646-231-102R	1	X

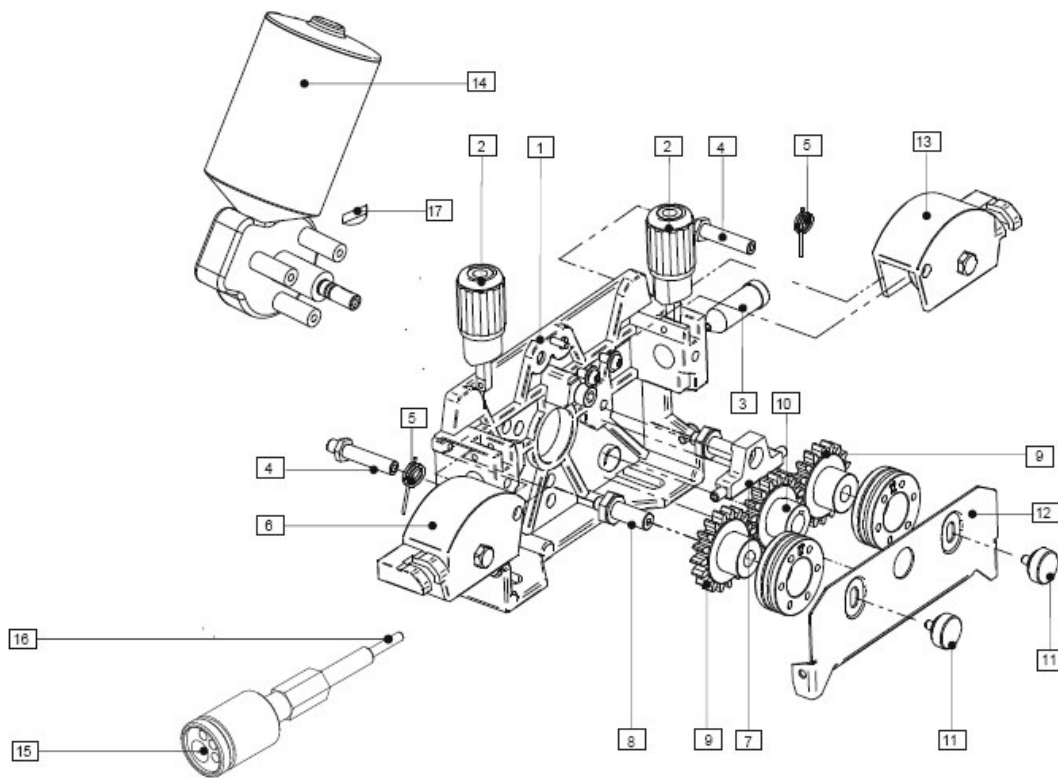


Figure B