

CODE 50132

ASSEMBLY PAGE NAME			Machine Assembly	Wire Drive Assembly
CODE NO.:	K NO.:	FIGURE NO.:	A	B
50132	K14051-1	LINC FEED 33S	1	1

Item	Description	Part Number	QTY	1
1	RACK	R-3019-134-1/08R	1	X
2	TOP PANEL	R-1012-266-1/02R	1	X
3	RIGHT SIDE PANEL	R-1012-262-1/02R	1	X
4	LABEL RIGHT SIDE PANEL	2719-107-887R	1	X
5	LOCK	0654-610-004R	2	X
6	LEFT SIDE PANEL	R-3019-113-1/02R	1	X
7	LABEL LEFT SIDE PANEL	2719-107-888R	1	X
8	P.C. BOARD	C-3731-399-2R	1	X
9	DISPLAY P.C. BOARD	0918-432-006R	1	X
10	FOOT	1373-184-009R	4	X
11	LABEL FRONT PANEL	2719-107-887R	1	X
12	POTENTIOMETER	1158-113-304R	4	X
13	SWITCH	1158-650-024R	1	X
14	SOCKET ASSEMBLY	C-2986-001-2R	1	X
15	SOCKET	1158-641-008R	1	X
16	QUICK CONNECT COUPLING	0744-000-152R	4	X
17	EURO SOCKET ASSEMBLY	R-8040-210-1R	1	X
18	EURO COVER	1361-599-708R	1	X
19	KNOB	9ET10491R	2	X
20	CONDUCTOR RIAL	R-1012-274-1R	1	X
21	SHUNT	0941-712-029R	1	X
22	CONDUCTOR RIAL	R-1012-273-1R	1	X
23	GAS VALVE	0972-423-038R	1	X
24	RECTIFIER	1156-112-044R	1	X
25	SLEEVE	0646-231-043R	1	X
26	WIRE DRIVE ASSEMBLY	R-8040-212-1R	1	X
27	COVER PANEL	R-1012-267-1/08R	1	X
28	SWITCH	1158-650-022R	1	X
29	SWITCH	1159-650-021R	1	X
30	GAS FLOW REGULATOR	0943-719-003R	1	X
31	LABEL	2719-107-889R	1	X
32	LABEL	2719-107-890R	1	X
33	KNOB	ET13639-3R	2	X
34	LABEL	2719-107-892R	1	X
35	SOCKET	D-2985-002-1R	1	X
36	QUICK GAS CONNECTOR	0744-000-149R	1	X
37	SOCKET	1158-641-129R	1	X
38	HINGLE ASSEMBLY	D-3574-011-4/02R	1	X

39	HINGLE ASSEMBLY	D-3574-011-3/02R	1	X
40	HINGLE	D-2541-004-2/02R	2	X
41	NUT PLASTIC	0646-231-044R	1	X
42	PLASTIC SHROUD	R-0010-229-1R	1	X
43	WARING LABEL	2719-107-728R	1	X

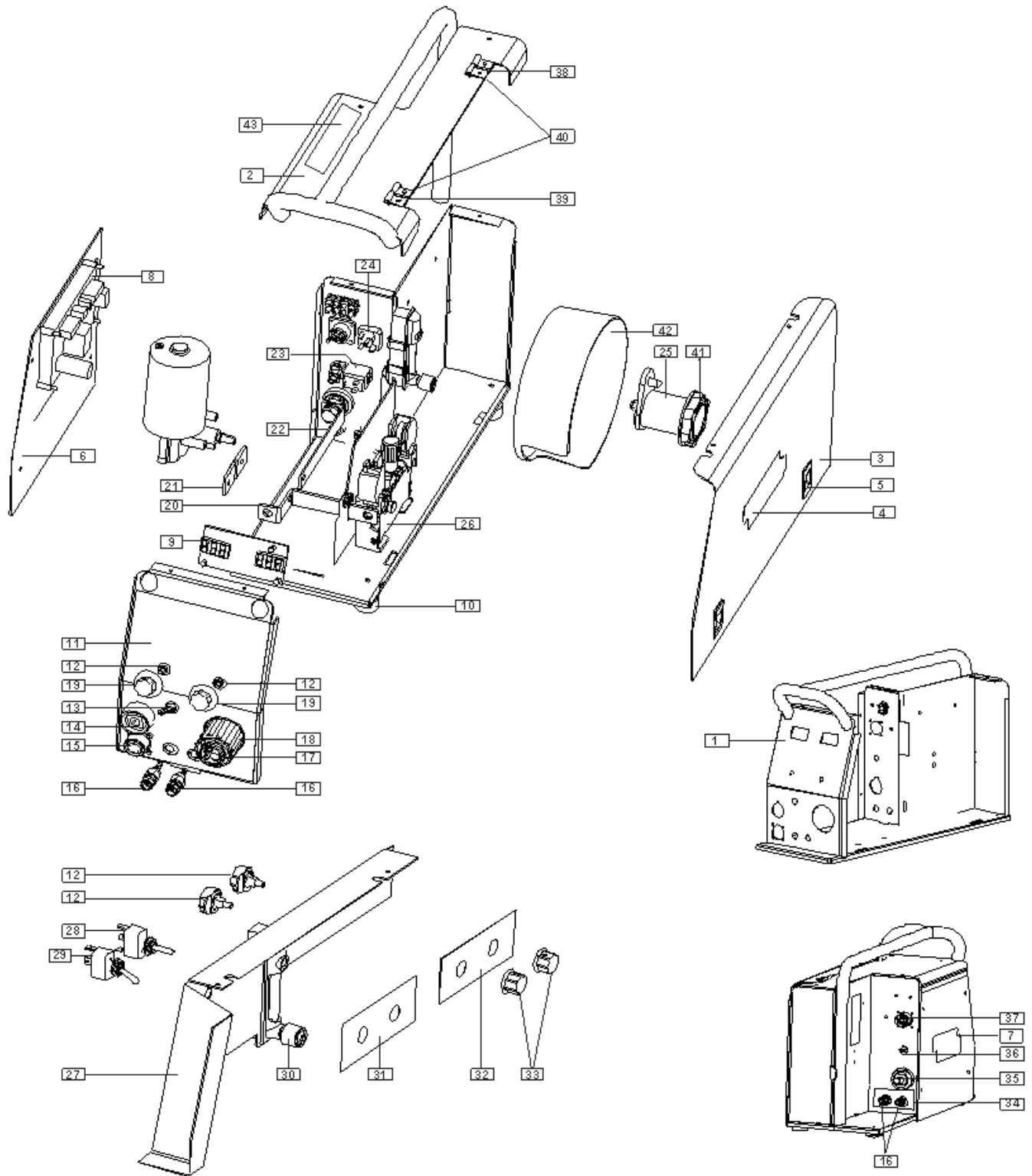


Figure A

Item	Description	Part Number	QTY	1
	WIRE DRIVE ASSEMBLY including	0744-000-238R	1	X
1	FEED PLATE	0744-000-178R	1	X
2	FIXING ARM COMPL.	0646-233-015R	1	X
3	AXIS DRIVE ROLL I	0646-233-039R	2	X
4	AXIS GEAR WHELL	0646-233-040R	1	X
5	INTEL GUIDE	0744-000-188R	1	X
6	SPRING PRESSURE ARM	0646-233-041R	1	X
7	SPRING PRESSURE ARM	0646-233-049R	1	X
8	PRESSURE ARM COMPL. I	0646-233-042R	1	X
9	PRESSURE ARM COMPL.	0646-231-048R	1	X
10	AXIS PRESSURE ARM	0646-233-043R	2	X
11	GEAR WHEEL ROLL	0646-231-090R	1	X
12	GEAR WHEEL	0646-231-089R	1	X
13	GEAR WHEEL MOTOR	0646-231-088R	1	X
14	METAL COVER	0646-233-045R	1	X
15	FIXING CAP	0646-231-091R	1	X
16	DISTANCE WASHER	R-1019-147-1/08R	1	X
17	MOTOR COMPL.	R-8040-213-1R	1	X
18	OUTLET GUIDE	R-2010-006-1R	1	X
19	EURO SOCKET	R-8040-210-1R	1	X
20	COVER	R-1012-268-1/08R	1	X
21	DRIVE ROLLS	SEE ACCESSORIES	2	X
22	WOODROF KEY	0646-231-102R	1	X

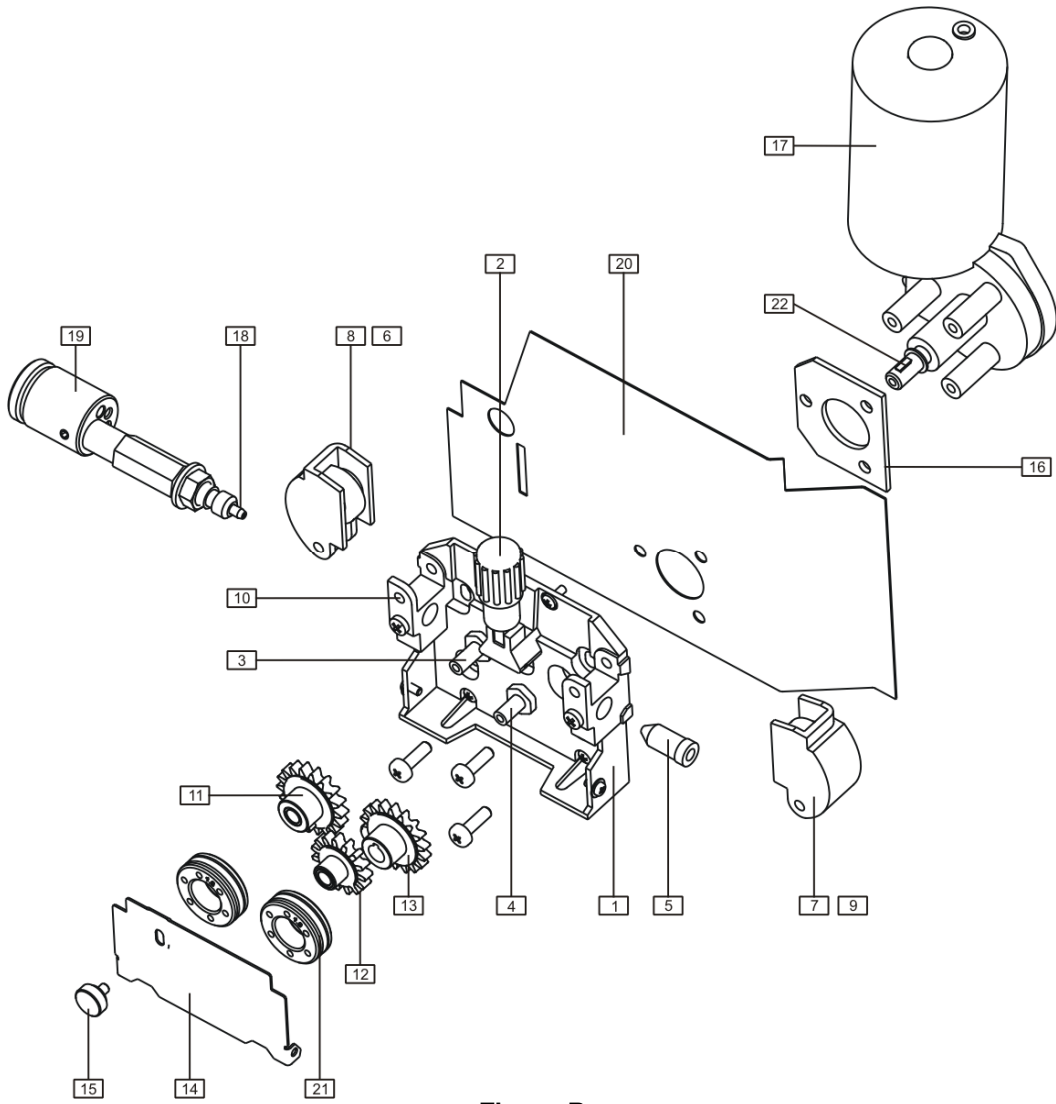


Figure B