

CODE 54035, 54036

ASSEMBLY PAGE NAME			Machine Assembly	Wire Drive Assembly
CODE NO.:	K NO.:	FIGURE NO.:	A	B
54035	K10406	LINC FEED 37	1	1
54036	K10407	LINC FEED 38	2	1

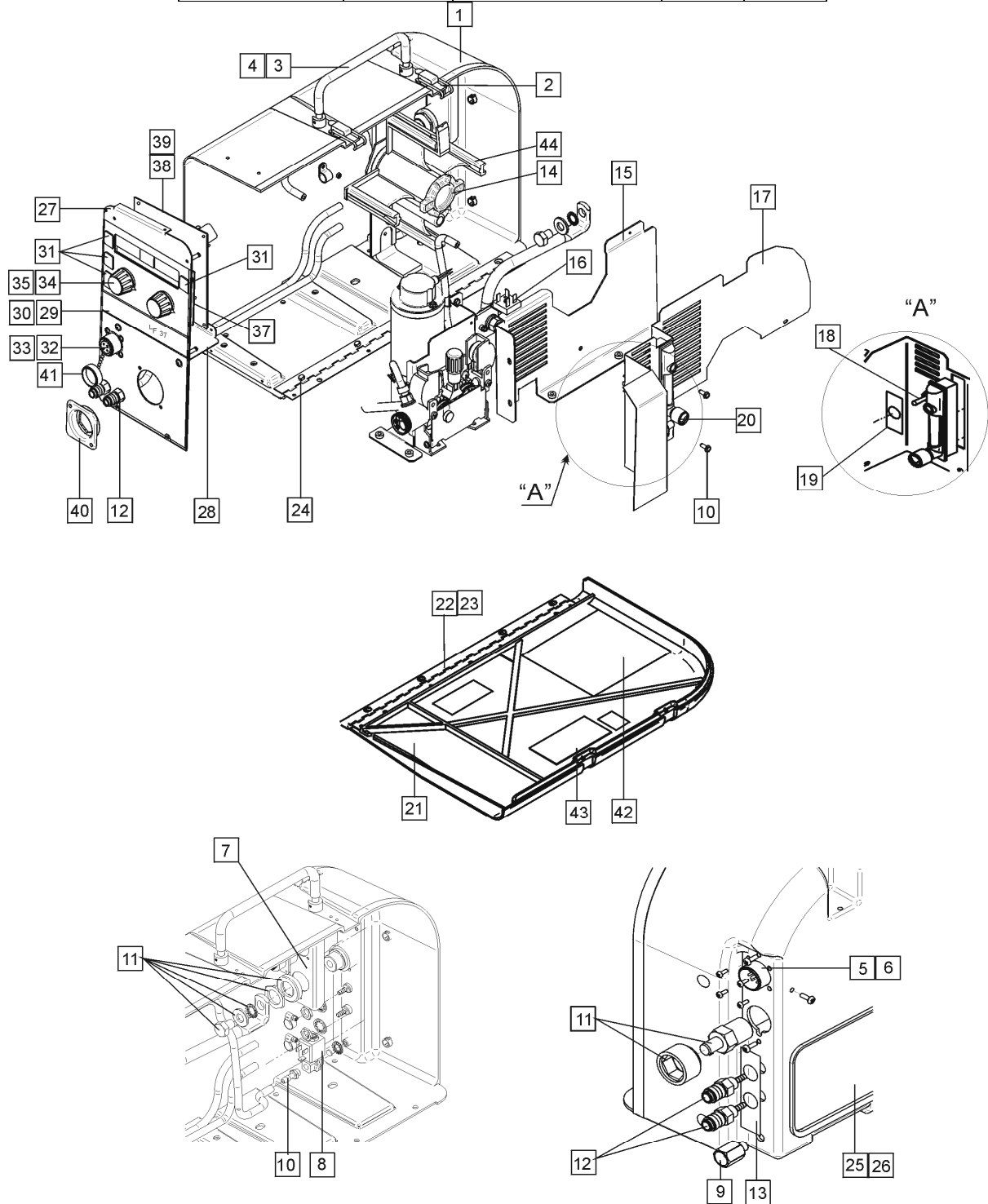


Figure A

 - recommended parts

Figure A: Machine Assembly

Item	Description	Part number	Old part number	QTY	1	2
1	Case	1361-599-805R	G4709	1	X	X
2	Door latch	0654-610-007R	S18137	1	X	X
3	Handle	1361-598-184R	S18170	1	X	X
4	Insulated latch nut	0653-100-005R	T15090	2	X	X
5	Command harness including:	R-5041-039-2R	M51650	1	X	X
6	Amphenol plug	1158-641-129R	S12021-43	1	X	X
7	Bracket plug	R-1019-018-1/08R	S52115	1	X	X
8	Gas solenoid 42-48V	0972-423-007R	M51206	1	X	X
9	Female gas connector (female)	R-2010-002-1R	S51623	1	X	X
10	Internal hose nipple (male)	R-2013-060-1R	S51632	1	X	X
11	1/4 turn plug (male)	D-2985-002-2R	S51880-1	1	X	X
12	Fast water connector (female)	0744-000-152R	S19664	4	X	X
13	Water connection nameplate	2719-107-025R	S19648	1	X	X
14A	Spindle	0744-000-198R	M14560	1	X	X
14B	Retaining collar	M14587-1	M14587-1	1	X	X
14C	Friction washer	0744-000-202R	S17435	1	X	X
14D	Spindle shaft	0744-000-203R	S18138	1	X	X
14E	Spring	0744-000-204R	T11862-14	1	X	X
14F	Keyed washer	0744-000-205R	T12965	1	X	X
14G	Tumb screw	0744-000-206R	T14813-A	1	X	X
15	Lower internal panel	R-3019-018-1/08R	M51645	1	X	X
16	Rectifier bridge	1156-112-063R	T13637-1	1	X	X
17	Upper internal panel	R-1012-040-1/08R	M51649	1	X	X
18	Switch (gas/wire test)	1158-650-022R	T10800-49	1	X	X
19	Label (gas/wire test)	2719-107-027R	-----	1	X	X
20	Flowmeter	0943-719-003R	S52119	1	X	X
21	Door	1361-599-806R	L7370-1	1	X	X
22	Hinge		T8755-BT			
23	Hinge insulation	0654-610-009R	S20196	1	X	X
24	Insulated screw	0653-133-003R	T15088	4	X	X
25	LF 37 decal (side panel)	2719-107-018R	L50825	1	X	-
26	LF 38 decal (side panel)	2719-107-019R	L50826	1	-	X
27	Front panel	R-3019-016-1/08R	M51648	1	X	X
28	PC Board protection	R-1019-019-1/08R	M51636	1	X	X
29	LF 37 nameplate	2719-107-016R	L50823	1	X	-
30	LF 38 nameplate	2719-107-017R	L50824	1	-	X
31	Rubber button cover (LF37)	1373-182-005R	S23055	1	X	-
	Rubber button cover (LF38)	1373-182-005R	S23055	4	-	X
32	Amphenol plug	1158-641-127R	S12021-11	1	X	X
33	Remote harness including	R-5041-039-1R	S52127	1	X	X
34	Control knob	9ET10491R	T10491	2	X	X
35	Felt washer	0744-200-041R	T14034-10	2	X	X
36	PC Board harness link(not shown)	R-5041-032-1R	S52128	1	X	X
37	PC Board – Display, including:	0918-432-001R	M51524-2	1	X	X
38	PC Board - Control LF 37	R-8040-091-1R	M51523-2 / 3700	1	X	-
39	PC Board - Control LF 38	R-8040-091-2R	M51523-2 /	1	-	X

			3800			
40	Euro shield	0646-233-051R	S52133	1	X	X
41	Amphenol cap	1158-641-128R	-----	1	X	X
42	Warning label	2719-107-024R	-----	1	X	X
43	Label	2719-107-026R	-----	1	X	X
44	Spool adaptor	K10158-1	-----	1	X	X

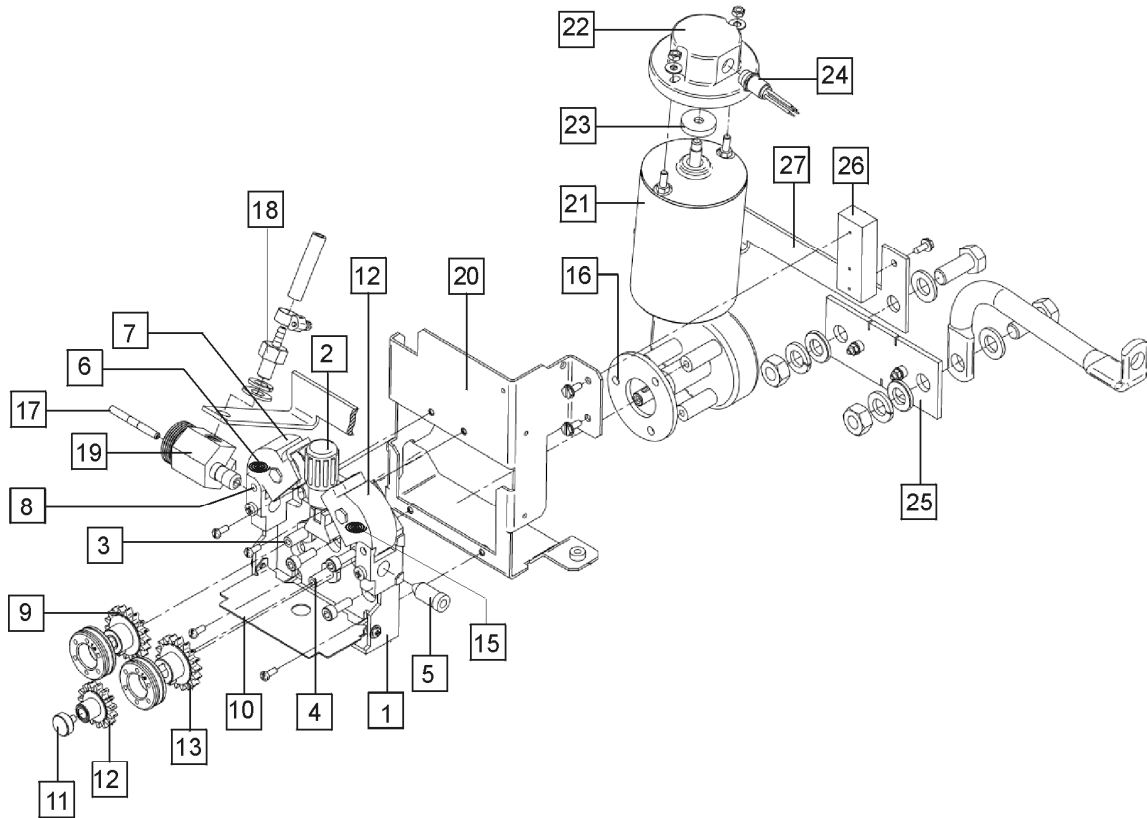


Figure B

Figure B: Wire Drive Assembly

Item	Description	Part number	Old part number	QTY	1
	Wire drive assembly including:	0744-000-168R	M51651-PR	1	X
1	Feed plate	0744-000-178R	M51651-A	1	X
2	Fixing arm compl.	0646-233-015R	-----	1	X
3	Axis drive roll	0646-233-039R	-----	2	X
4	Axis gear wheel	0646-233-040R	-----	1	X
5	Inlet guide	0744-000-188R	T51125-2	1	X
6	Spring pressure arm	0646-233-041R	-----	1	X
7	Pressure arm compl.l	0646-233-042R	-----	1	X
8	Axis pressure arm	0646-233-043R	-----	2	X
9	Gear wheel roll	0646-231-090R	S51889-2	1	X
10	Metal cover	0646-233-045R	-----	1	X
11	Fixing cap	0646-231-091R	M51651-B	1	X
12	Gear wheel	0646-231-089R	S51889-3	1	X

13	Gear wheel motor	0646-231-088R	S51888-1	1	X
14	Pressure arm compl.r	0646-233-048R	-----	1	X
15	Spring pressure arm	0646-233-049R	-----	1	X
16	Distance washer	0646-233-050R	S52134	1	X
17	Outlet guide	0646-233-052R	T51127-4	1	X
18	Socket ferrule	0646-233-053R	T51120-2	1	X
19	Euro socket	0742-210-005R	S51899-1	1	X
20	Wire drive bracket	R-3019-017-1/08R	M51642	1	X
21	Motor	1111-722-020R	M51518	1	X
22	Hall effect switch cover	0744-200-008R	S51887	1	X
23	Magnetic ring	0943-719-005R	S18088-1	1	X
24	Hall effect switch	0943-719-006R	S18012-PR	1	X
25	Shunt	0941-712-021R	S51776-1	1	X
26	Shunt bracket	R-2013-018-1R	T51155	1	X
27	Conductor-rail	R-1010-006-1R	-----	1	X
28	Current-carrying wire 1x70	R-5041-006-3R	-----	1	X