

CODE 50048

ASSEMBLY PAGE NAME			Machine Assembly	Wire Drive Assembly
CODE NO.:	K NO.:	FIGURE NO.:	A	B
50048	K14035-1W	LINC FEED 34	1	1

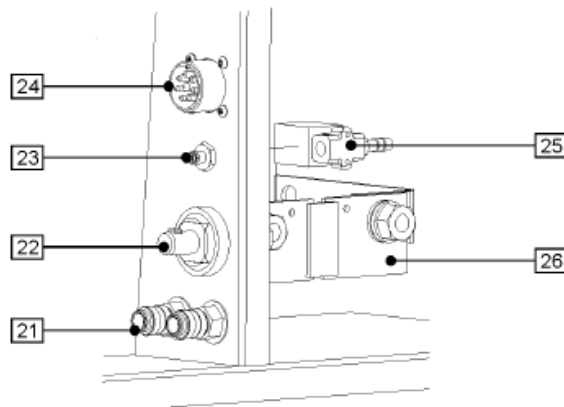
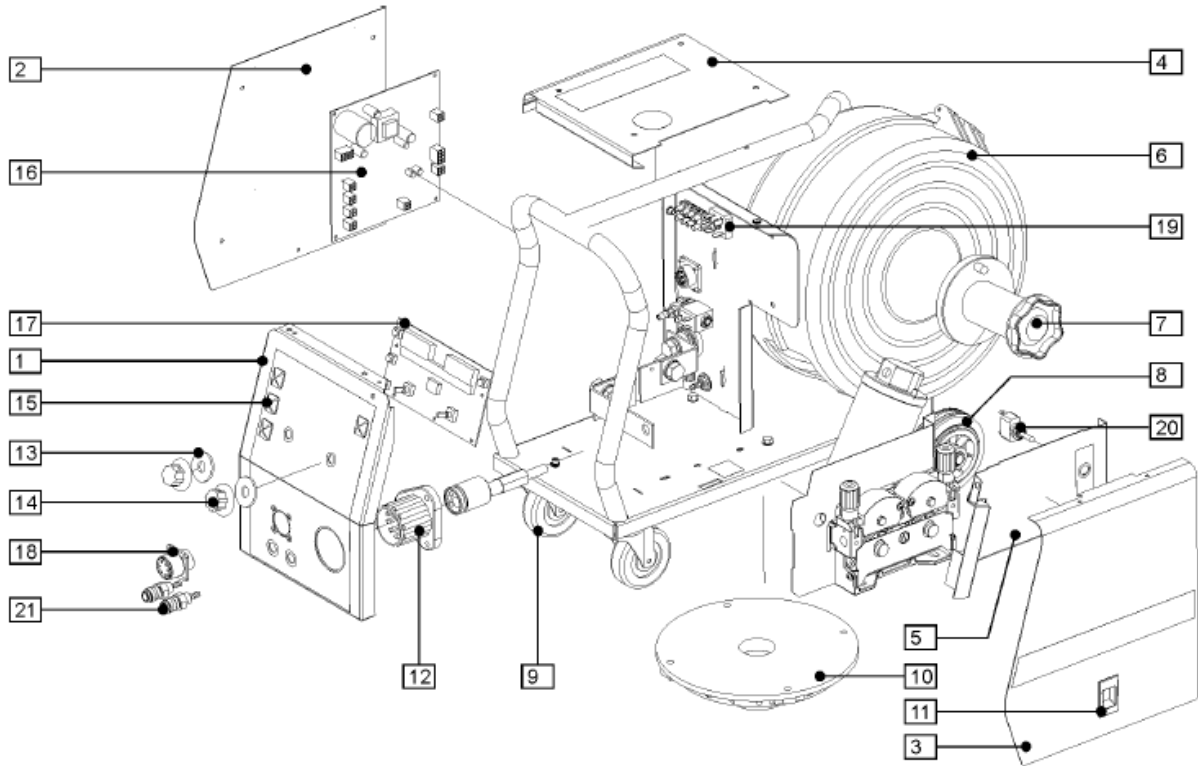


Figure A

Figure A: Machine Assembly

Item	Description	Part Number	QTY	1
1	FRONT PANEL WITH LABEL	R-8040-107-1R	1	X
	LABEL	2719-107-051R	1	X
2	LEFT SIDE PANEL WITH LABEL	R-8040-111-1R	1	X
	LABEL	2719-107-512R	1	X
3	RIGHT SIDE PANEL WITH LABEL	R-8040-110-1R	1	X
	LEBEL	2719-107-511R	1	X
4	TOP SIDE PANEL WITH LABELS	R-8040-043-1R	1	X
	LABEL	2719-107-728R	1	X
5	SIDE PANEL WITH LABEL	R-8040-063-2R	1	X
	LABEL	2719-107-027R	1	X
6	PLASTIC SHROUD ASSEMBLY	0749-901-008R	1	X
7	SLEEVE	0744-000-192R	1	X
8	WHEEL	1029-660-006R	2	X
9	TURNING WHEEL	1029-660-004R	2	X
10	PIVOT PLASTIC PART	1361-598-180R	1	X
11	HINGE	0654-610-004R	1	X
12	EURO SLEEVE	1361-599-708R	1	X
13	PACKING WASHER	0744-200-041R	2	X
14	KNOB	9ET10491R	2	X
15	RUBBER BUTTON COVER	1373-182-005R	1	X
16	PC BOARD – CONTROL	R-8040-091-1R	1	X
17	PC BOARD - DISPLAY	0918-432-001R	1	X
18	SOCKET X4	1158-641-129R	1	X
19	RECTIFIER SET V1	1156-112-044R	1	X
20	SWITCH S1	1158-650-022R	1	X
21	QUICK CONNECT COUPLING - WATER	0744-000-152R	4	X
22	SOCKET X1	D-2985-002-1R	1	X
23	QUICK CONNECT COUPLING - GAS	0744-000-149R	1	X
24	SOCKET X2	1158-641-129R	1	X
25	GAS VALVE K1	0972-423-007R	1	X
26	SHUNT B1	0941-712-025R	1	X

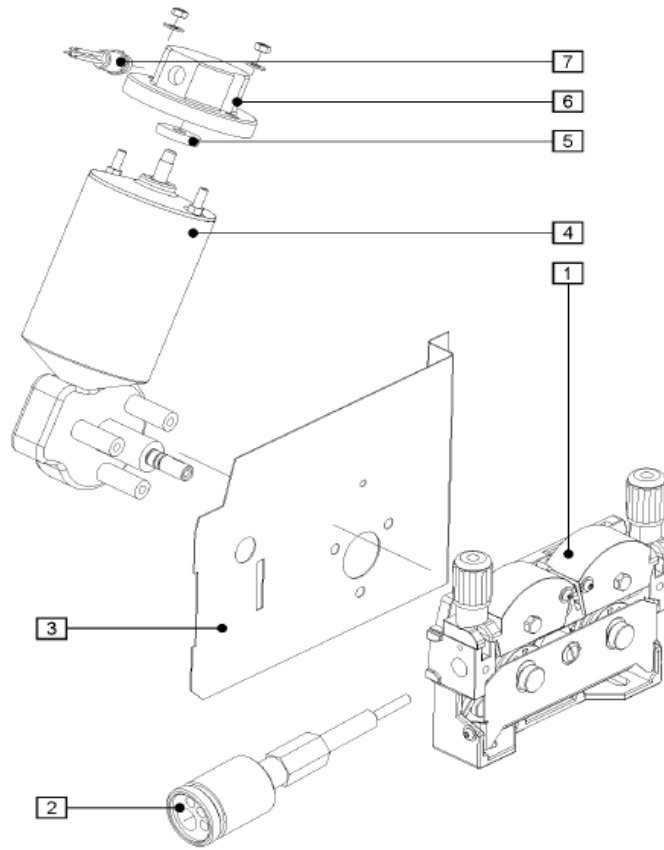


Figure B

Figure B: Wire Drive Assembly

Item	Description	Part Number	QTY	1
1	WIRE DRIVE ASSEMBLY	0744-000-176R	1	X
2	EURO-CONNECTOR ASSEMBLY	R-8040-113-1R	1	X
3	MOTOR BAFFLE	C-2722-409-1R	1	X
4	MOTOR	R-8040-112-1R	1	X
5	RING MAGNET	0943-719-005R	1	X
6	HALL EFFECT SWITCH COVER	0744-200-008R	1	X
7	HALL EFFECT SWITCH	0943-719-008R	1	X