

CODE 50117, 50118

ASSEMBLY PAGE NAME			Machine Assembly	Wire Drive Assembly
CODE NO.:	K NO.:	FIGURE NO.:	A	B
50117	K14035-1W	LINC FEED 34	1	1
50118	K14036-1W	LINC FEED 35	2	1

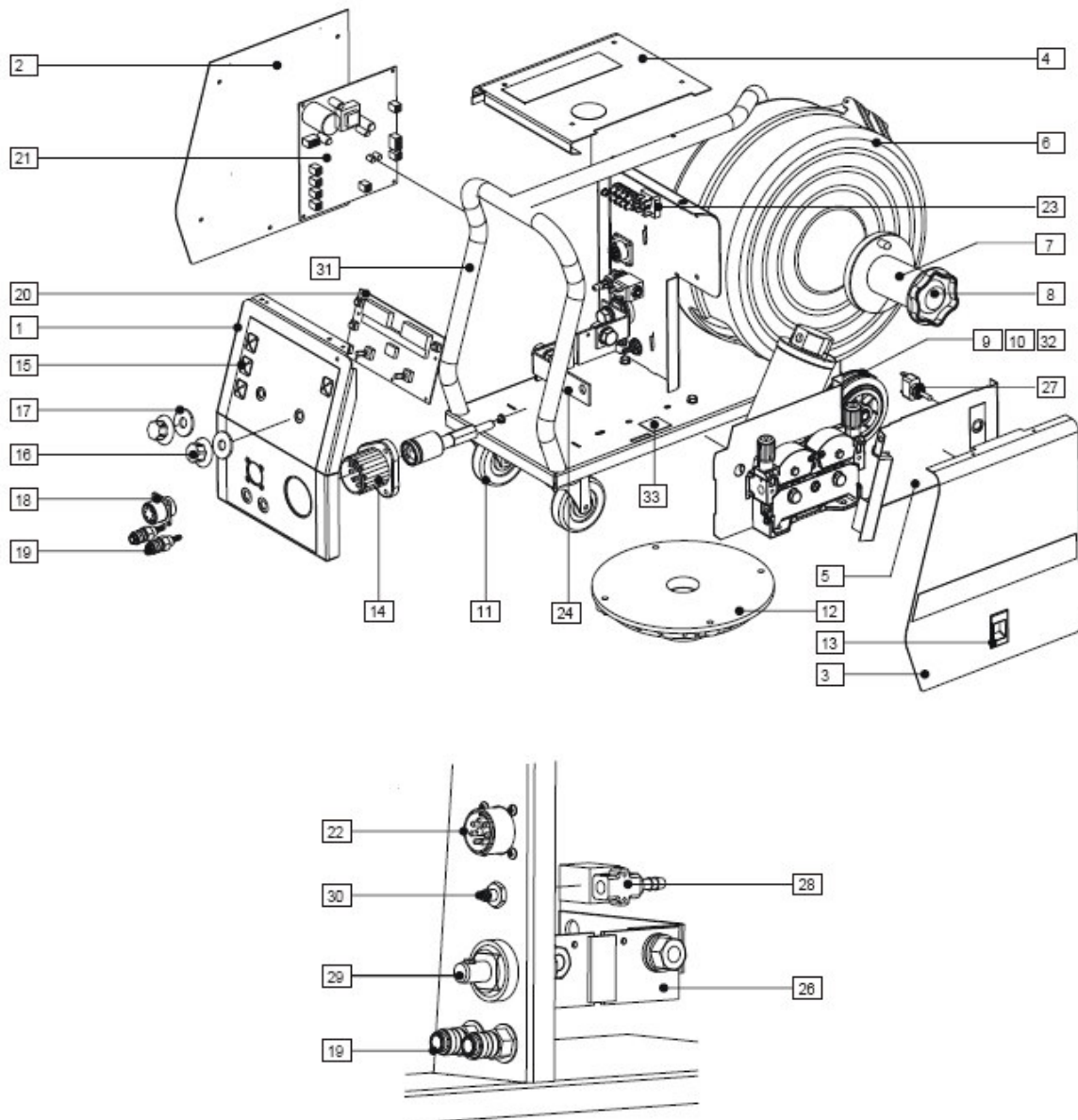


Figure A

 - recommended parts

Figure A Machine Assembly

Item	Description	Part Number	QTY	1	2
1	FRONT PANEL WITH LABEL	R-8040-107-1R	1	X	-
	LABEL	2719-107-051R	1	X	-
	FRONT PANEL WITH LABEL	R-8040-107-2R	1	-	X
	LABEL	2719-107-552R	1	-	X
2	LEFT SIDE PANEL WITH LABEL	R-8040-111-1R	1	X	-
	LABEL	2719-107-512R	1	X	-
	LEFT SIDE PANEL WITH LABEL	R-8040-111-2R	1	-	X
	LABEL	2719-107-050R	1	-	X
3	RIGHT SIDE PANEL WITH LABEL	R-8040-110-1R	1	X	-
	LABEL	2719-107-511R	1	X	-
	RIGHT SIDE PANEL WITH LABEL	R-8040-110-2R	1	-	X
	LABEL	2719-107-513R	1	-	X
4	TOP SIDE PANEL WITH LABELS	R-8040-043-1R	1	X	X
	LABEL	2719-107-728R	1	X	X
5	SIDE PANEL WITH LABEL	R-8040-063-2R	1	X	X
	LABEL	2719-107-027R	1	X	X
6	PLASTIC SHROUD ASSEMBLY	R-0010-178-1R	1	X	X
7	SLEEVE	0744-000-192R	1	X	X
8	PLASTIC NUT	B11035-1	1	X	X
9	WHEEL	1029-660-006R	2	X	X
10	AXLE	R-2013-021-2R	1	X	X
11	TURNING WHEEL	1029-660-004R	2	X	X
12	PIVOT PLASTIC PART	1361-598-180R	1	X	X
13	LOCK	0654-610-004R	1	X	X
14	EURO SLEEVE	1361-599-708R	1	X	X
15	RUBBER BUTTON COVER	1373-182-005R	1	X	-
	RUBBER BUTTON COVER	1373-182-005R	4	-	X
16	KNOB	9ET10491R	2	X	X
17	PACKING WASHER	0744-200-041R	2	X	X
18	SOCKET X4	1158-641-008R	1	X	X
19	QUICK CONNECT COUPLING	0744-000-152R	4	X	X
20	PC BOARD - DISPLAY	0918-432-001R	1	X	X
21	PC BOARD - CONTROL	R-8040-091-1R	1	X	-
	PC BOARD - CONTROL	R-8040-091-2R	1	-	X
22	SOCKET X2	1158-641-129R	1	X	X
23	RECTIFIER SET V1	1156-112-044R	1	X	X
24	CONDUCTOR RAIL	R-1010-008-1R	1	X	X
25	CONDUCTOR RAIL	R-1010-007-1R	1	X	X
26	SHUNT B1	0941-712-030R	1	X	X
27	SWITCH S1	1158-650-022R	1	X	X
28	GAS VALVE K1	0972-423-007R	1	X	X
29	SOCKET X1	D-2985-002-1R	1	X	X
30	QUICK CONNECT COUPLING - GAS	0744-000-149R	1	X	X
31	RACK	R-3019-023-1/08R	1	X	X
32	SUPPORT WHEEL	C-2631-426-1/08R	1	X	X
33	WARRING LABEL	2719-107-732R	1	X	X
34	HARNESS	R-7040-078-4R	1	X	X

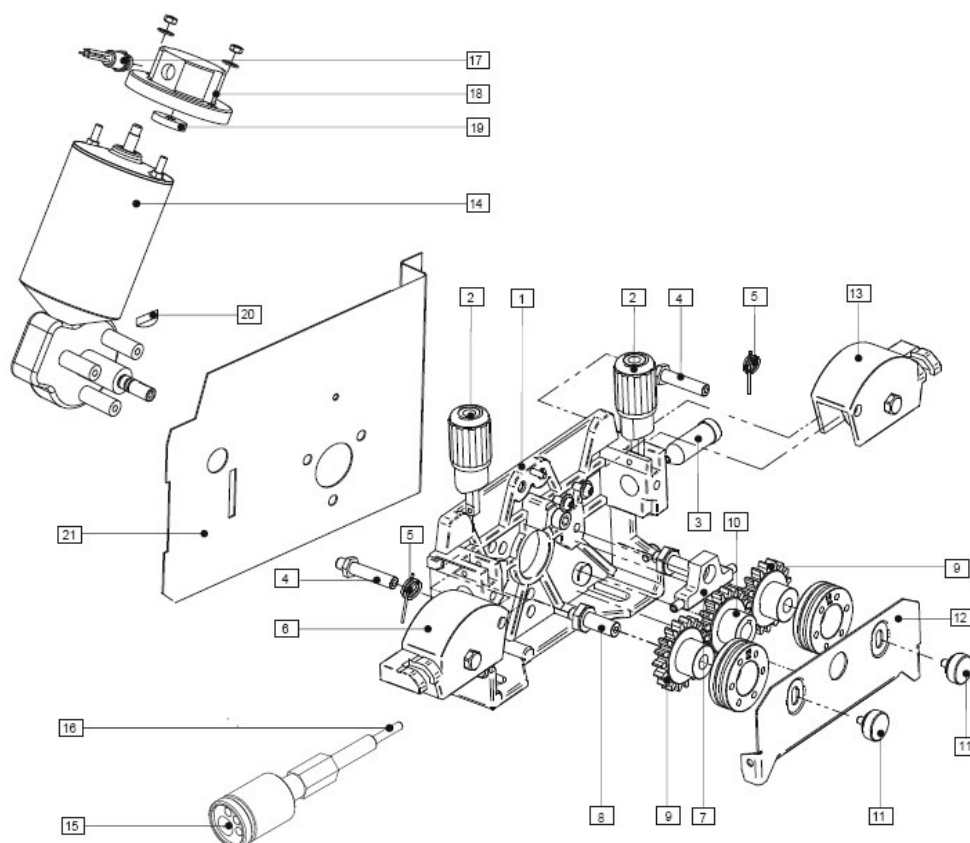


Figure B
Figure B Wire Drive Assembly

Item	Description	Part Number	QTY	1
	WIRE DRIVE ASSEMBLY	0744-000-176R	1	X
1	FEED PLATE	0646-233-002R	1	X
2	FIXING ARM COMPL.	0646-233-015R	2	X
3	INLET GUIDE	0646-233-025R	1	X
4	AXIS PRESSURE ARM	0646-233-003R	2	X
5	SPRING PRESSURE ARM	0646-233-013R	2	X
6	PRESSURE ARM COMPL.L	0646-233-007R	1	X
7	INTERMEDIATE GUIDE	0646-233-023R	1	X
8	AXIS DRIVE ROLL	0646-233-020R	2	X
9	GEAR WHEEL ROLL	0646-231-090R	2	X
10	GEAR WHEEL MOTOR	0646-233-028R	1	X
11	FIXING CAP	0744-000-190R	2	X
12	METAL COVER	0646-233-027R	1	X
13	PRESSURE ARM COMPL.R	0646-233-005R	1	X
14	MOTOR M2	R-8040-273-1R	1	X
15	EURO SOCKET (outlet guide) X1	R-8040-113-1R	1	X
16	OUTLET GUIDE	R-2010-006-1R	1	X
17	HALL EFFECT SWITCH	0943-719-008R	1	X
18	HALL EFFECT SWITCH COVER	0744-200-008R	1	X
19	RING MAGNET	0943-719-005R	1	X
20	WOODROF KEY	0646-231-102R	1	X
21	MOTOR BAFFLE	C-2722-409-1R	1	X