

CODE 50054, 50055

ASSEMBLY PAGE NAME			Machine Assembly	Feeding Unit Assembly: (2 Rolls Wire Drive System)	
CODE NO.:	K NO.:	FIGURE NO.:	A	B	
50054	K14004-3	POWERTEC 250C-I	1	1	
50055	K14005-3	POWERTEC 300C-I	2	1	

Figure A: Machine Assembly

Item	Description	Part Number	QTY	1	2	3
1	MAIN TRANSFORMER T1	B-4247-488-1R	1	X	-	
2	MAIN TRANSFORMER T1	B-4247-488-2R	1	-	X	
3	RECTIFIER SET V1	C-4639-194-2R	1	X		
4	RECTIFIER SET V1	C-4639-194-3R	1	-	X	
5	FAN M1	0873-100-031R	1	X	-	
6	FAN M1	1111-311-081R	1	-	X	
7	AUXILIARY TRANSFORMER T2	C-4244-374-2R	1	X	X	
8	CONTROL P.C. BOARD	C-3731-399-1R	1	X	X	
9	CONTACTOR K1	1115-212-241R	1	X	-	
10	CONTACTOR K1	1115-212-176R	1	-	X	
11	GAS VALVE K2	0972-423-012R	1	X	X	
12	CAPACITORS C1,C2,C3	1158-121-010R	3	X	X	
13	CAPACITOR C4	1158-121-045R	1	-	X	
14	VOLTAGE SWITCH S1	1115-260-168R	1	X	-	
15	VOLTAGE SWITCH S1	1115-260-167R	1	-	X	
16	VOLTAGE SWITCH S2	1115-260-166R	1	X	X	
17	MAIN SWITCH S3	1115-270-019R	1	X	X	
18	SWITCH	1158-650-022R	1	X	X	
19	SWITCH	1158-650-021R	1	X	X	
20	POTENTIOMETERS R1,R2,R3	1158-113-304R	3	X	X	
21	KNOB	9ET10491R	1	X	X	
22	KNOB	9ET13639-3R	2	X	X	
23	FEEDING UNIT (complete)	R-8040-098-2R	1	X	X	
24	EURO SOCKET (outlet guide)	C-2985-006-1R	1	X	X	
25	SLEEVE	0744-000-192R	1	X	X	
26	SOCKET X2	C-2986-001-2R	1	X	X	
27	TURNING WHEEL	1029-660-101R	2	X	X	
28	WHEEL	1029-660-201R	2	X	X	
29	MAINS CORD without PLUG 5m	D-5578-171-1R	1	X	X	
30	FUSE F1	1158-660-003R	1	X	X	
31	GAS INLET SOCKET	D-1891-135-1R	1	X	X	
32	HINGE	0654-610-004R	2	X	X	
33	LEFT HOLDER	1362-212-002R	1	X	X	
34	RIGHT HOLDER	1362-212-003R	1	X	X	
35	EDGE SHIELD	1362-212-000R	1	X	X	
36	SMALL FLAP	1362-212-001R	1	X	X	
37	EURO SOCKET (insulator)	1362-212-005R	1	X	X	
38	HANDLE	0562-230-001R	1	X	X	

39	LEFT SIDE HANDLE ASSEMBLY	1362-212-006R	1 + 1	X	X	
	+ CAP	1362-212-004R				
40	RIGHT SIDE HANDLE ASSEMBLY	1362-212-007R	1 + 1	X	X	
	+ CAP	1362-212-004R				
41	GROUND CABLE with WORK CLAMP-3m	K14011-1	1	X	-	
42	HEATER SOCKET	K14009-1	1	X	X	
43	GAS HOSE -2m	D-5578-174-1R	1	X	X	
44	FRONT DECAL	2719-107-078R	1	X	X	
45	FRONT PANEL	C-3721-810-1/08R	1	X	X	
46	LOGO DECAL	2719-107-140R	1	X	-	
47	LOGO DECAL	2719-107-144R	1	-	X	
48	WARNING DECAL	2719-107-728R	1	X	X	
49	LAMP H1	0917-421-024R	1	X	X	
50	LEFT PANEL (WITH DECAL)	R-8040-116-1R	1	X	-	
51	LEFT PANEL (WITH DECAL)	R-8040-116-2R	1	-	X	
52	LOWER PANEL RIGHT	C-3721-814-1/02R	1	X	X	
53	WIRE DRIVE PANEL (WITH DECAL)	R-8040-115-1R	1	X	-	
54	WIRE DRIVE PANEL (WITH DECAL)	R-8040-115-2R	1	-	X	
55	REAR PANEL	C-3721-809-1/08R	1	X	X	
56	ROOF PANEL (WITH DECAL)	D-3773-044-1R	1	X	X	

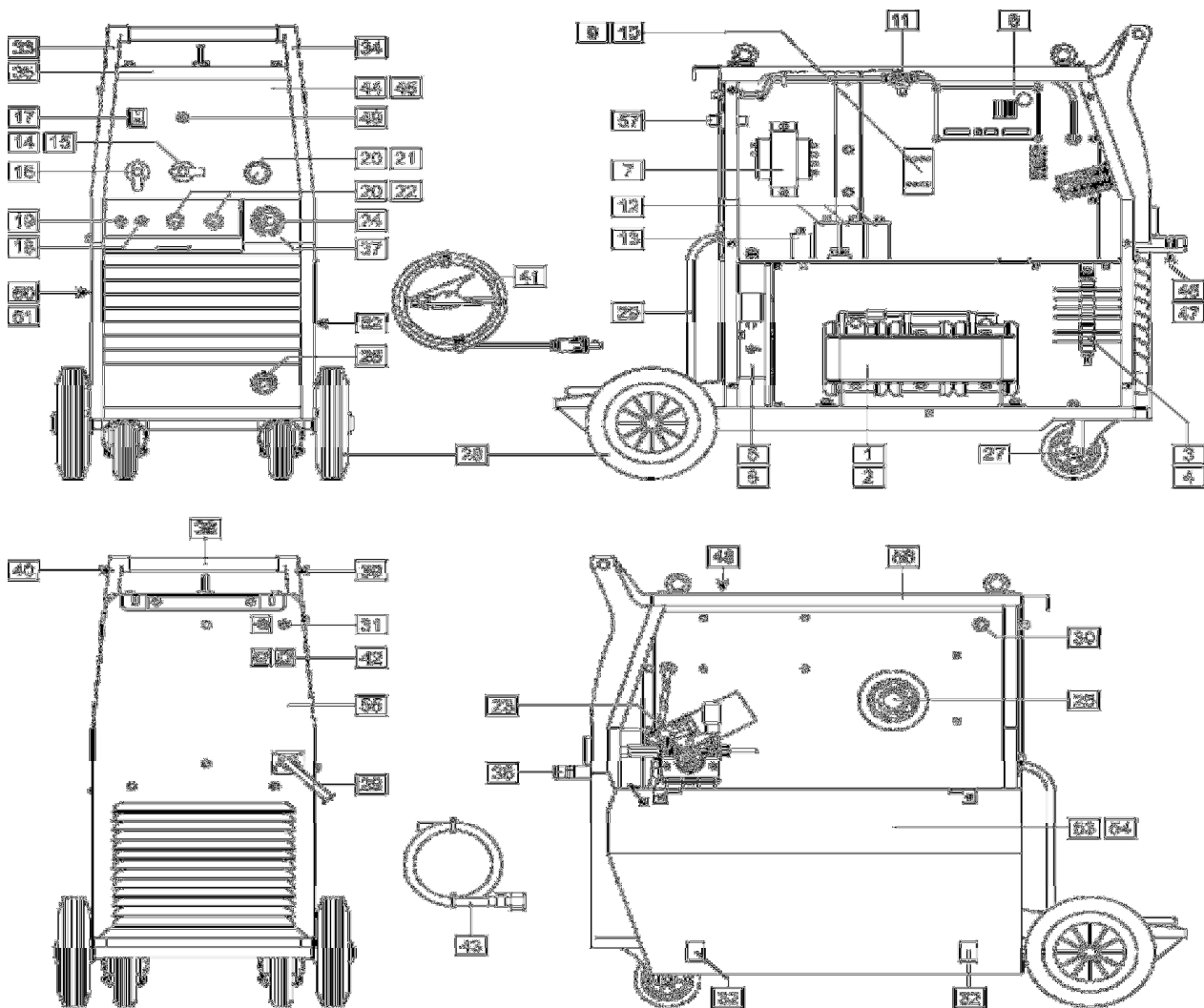


Figure A

Figure B: Feeding Unit Assembly (2 Rolls Wire Drive System)

Item	Description	Part Number	QTY	1	2	3
1	D.C. MOTOR	1111-722-046R	1	X	X	
2	INLET GUIDE (COMPLETE)	0744-000-193R	1	X	-	
3	ADAPTER RING (COMPLETE)	0744-000-194R	1	X	-	
4	DRIVE ROLL	→ Accessories	1	X	-	
5	FIXING CAP	0744-000-195R	1	X	-	
6	WIRE GUIDE TUBE	D-1829-066-4R	1	X	X	
7	FERRITE TUBE	1158-290-036R	1	X	X	

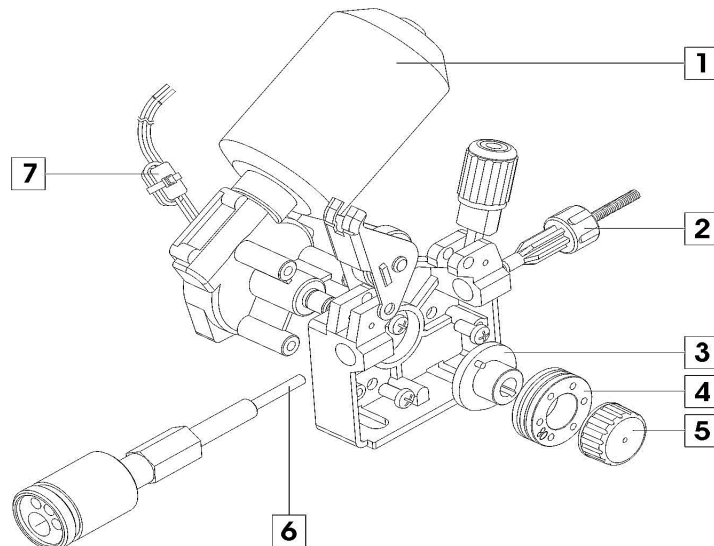


Figure B: 2 Rolls Wire Drive System (Standard)