

CODE 50091, 50092, 50093, 50094, 50119, 50120, 50121, 50122

ASSEMBLY PAGE NAME			Machine Assembly Feeding Unit Assembly: (2 /-4 Rolls Wire Drive System)	
CODE NO.:	K NO.:	FIGURE NO.:	A	B
50091	K14003-2	POWERTEC 200C (400V)	1	1
50092	K14004-2	POWERTEC 250C (400V)	2	1
50093	K14005-5	POWERTEC 300C (400V)	3	1
50094	K14005-4	POWERTEC 300C 4x4 (400V)	4	2
50119	K14003-3	POWERTEC 200C (230/400V)	5	1
50120	K14004-4	POWERTEC 250C (230/400V)	6	1
50121	K14005-6	POWERTEC 300C (230/400V)	7	1
50122	K14005-7	POWERTEC 300C 4x4 (230/400V)	8	2

Figure A: Machine Assembly

Item	Description	Part Number	QTY	1	2	3	4	5	6	7	8
1	MAIN TRANSFORMER T1-200C (400V)	R-4034-072-1R	1	X	-	-	-	-	-	-	-
	MAIN TRANSFORMER T1-200C (230/400V)	B-4247-479-1R	1	-	-	-	-	X	-	-	-
2	MAIN TRANSFORMER T1-250C	B-4247-480-1R	1	-	X	-	-	-	X	-	-
3	MAIN TRANSFORMER T1-300C	B-4247-480-2R	1	-	-	X	X	-	-	X	X
	THERMAL SENSOR 120°C	1115-769-124R	1	X	X	X	X	X	X	X	X
4	RECTIFIER SET PTS-240	1156-112-202R	1	X	-	-	-	X	-	-	-
5	RECTIFIER SET PTS-290	1156-112-171R	1	-	X	-	-	-	X	-	-
6	RECTIFIER SET PTS-350	1156-112-172R	1	-	-	X	X	-	-	X	X
	THERMAL SENSOR 100°C	1115-769-011R	1	X	X	X	X	X	X	X	X
7	FAN M1	0873-100-031R	1	X	X	-	-	X	X	-	-
8	FAN M1	R-8040-204-1R	1	-	-	X	X	-	-	X	X
9	AUXILIARY TRANSFORMER T2	C-4244-374-2R	1	X	X	X	X	X	X	X	X
10	CONTACTOR CI-12 24V	1115-212-207R	1	X	-	-	-	-	-	-	-
11	CONTACTOR CI-16 24V	1115-212-220R	1	-	X	-	-	X	-	-	-
12	CONTACTOR CI-25 24V	1115-212-219R	1	-	-	X	X	-	X	-	-
12A	CONTACTOR CI-30 24V	1115-212-210R	1	-	-	-	-	-	-	X	X
13	CONTRPL P. C. BOARD US-69 IV	0918-432-096R	1	X	X	X	X	X	X	X	X
14	VOLTAGE SWITCH ŁK 16R/6.12105	1115-260-168R	1	X	-	-	-	X	-	-	-
15	VOLTAGE SWITCH ŁK 25R/3.829	1115-260-166R	1	-	X	X	X	-	X	X	X
16	VOLTAGE SWITCH ŁK 25R/6.12105	1115-260-167R	1	-	X	X	X	-	X	X	X
17	MAIN SWITCH	1115-270-019R	1	X	X	X	X	X	X	X	X
18	SPLASH-PROOF SHIELD	1115-299-073R	1	X	X	X	X	X	X	X	X
19	LAMP LS-3 N1/D11	0917-421-024R	1	X	X	X	X	X	X	X	X
20	RC ACTIVE FILTER	0874-400-011R	1	X	X	X	X	X	X	X	X
21	GAS VALVE 24V	0972-423-005R	1	X	X	X	X	X	X	X	X
22	POTENTIOMETER 10K	1158-113-304R	3	X	X	X	X	X	X	X	X
23	KONB	9ET10491R	1	X	X	X	X	X	X	X	X
24	KNOB	9ET13639-3R	2	X	X	X	X	X	X	X	X
25	SWICH	1158-650-021R	1	X	X	X	X	X	X	X	X
26	SWICH	1158-650-022R	1	X	X	X	X	X	X	X	X

27	EURO SOCKET	R-8040-042-2R	1	X	X	X	X	X	X	X	X	X
28	FUSE SOCKET	1158-632-032R	2	X	X	X	X	X	X	X	X	X
29	FUSE CAP	1158-632-033R	2	X	X	X	X	X	X	X	X	X
30	FUSE 1A 400V	1158-660-003R	1	X	X	X	X	X	X	X	X	X
31	FUSE 4A 400V	1158-660-084R	1	X	X	X	X	X	X	X	X	X
32	SOCKET	C-2986-001-2R	1	X	X	X	X	X	X	X	X	X
33	WHEEL	1029-660-201R	2	X	X	X	X	X	X	X	X	X
34	TURNING WHEEL	1029-660-101R	2	X	X	X	X	X	X	X	X	X
35	MAINS CORD without PLUG 5m	R-5041-058-2R	1	X	X	-	-	-	-	-	-	-
36	MAINS CORD without PLUG 5m	D-5578-171-1R	1	-	-	X	X	X	X	-	-	-
36A	MAINS CORD without PLUG 5m	D-5578-171-2R	1	-	-	-	-	-	-	X	X	-
37	CABLE BOX	1361-599-399R	1	X	X	X	X	X	X	X	X	X
38	CLAMP	1361-599-398R	1	X	X	X	X	X	X	X	X	X
39	SLEEVE	0744-000-192R	1	X	X	X	X	X	X	X	X	X
40	PLASTIC NUT	B11035-1	1	X	X	X	X	X	X	X	X	X
41	CAPACITOR 1,5UF/K	1158-121-045R	1	-	-	X	X	-	-	X	X	-
42	GP-491 0,6W 22 KOM	1158-111-025R	1	X	X	X	X	X	X	X	X	X
43	LOCK	0654-610-004R	2	X	X	X	X	X	X	X	X	X
44	HANDLE	0562-230-001R	1	X	X	X	X	X	X	X	X	X
45	LEFT BRACKET (HANDLE)	D-3631-908-2/08R	1	X	X	X	X	X	X	X	X	X
46	LEFT SIDE HANDLE	1362-212-002R	1	X	X	X	X	X	X	X	X	X
47	LEFT COVER	1362-212-006R	1	X	X	X	X	X	X	X	X	X
48	RIGHT BRACKET (HANDLE)	D-3631-908-1/08R	1	X	X	X	X	X	X	X	X	X
49	RIGHT SIDE HANDLE	1362-212-003R	1	X	X	X	X	X	X	X	X	X
50	RIGHT COVER	1362-212-007R	1	X	X	X	X	X	X	X	X	X
51	CAP	1362-212-004R	2	X	X	X	X	X	X	X	X	X
52	EDGE SHIELD	1362-212-000R	1	X	X	X	X	X	X	X	X	X
53	EURO COVER	1362-212-005R	1	X	X	X	X	X	X	X	X	X
54	SMALL FLAP	1362-212-001R	1	X	X	X	X	X	X	X	X	X
55	LABEL PT-200C	2719-107-719R	1	X	-	-	-	X	-	-	-	-
56	LABEL PT-250C	2719-107-720R	1	-	X	-	-	-	X	-	-	-
57	LABEL PT-300C	2719-107-721R	1	-	-	X	X	-	-	X	X	-
58	GROUND CABLE with WORK CLAMP -3m	K14010-1	1	X	-	-	-	X	-	-	-	-
59	GROUND CABLE with WORK CLAMP -3m	K14011-1	1	-	-	-	-	-	X	-	-	-
60	GROUND CABLE with WORK CLAMP -3m	K14012-1	1	-	-	X	X	-	-	X	X	-
61	FRONT PANEL	R-3019-117-1/08R	1	X	X	X	X	X	X	X	X	X
62	LABEL FRONT PANEL PT-200C	2719-107-175R	1	X	-	-	-	X				
63	LABEL FRONT PANEL PT-250C&300C	2719-107-177R	1	-	X	X	X		X	X	X	
64	LABEL FRONT PANEL SMALL	2719-107-176R	1	X	X	X	X	X	X	X	X	X
65	LABEL (GROUND)	2719-107-729R	1	X	X	X	X	X	X	X	X	X
66	BOTTOM PANEL	R-3019-118-1/08R	1	X	X	X	X	X	X	X	X	X
67	REAR PANEL	R-1012-234-1/08R	1	X	X	X	X	X	X	X	X	X
68	HOLE PLUG	1361-599-058R	1	X	X	X	X	X	X	X	X	X
69	DIVIDER PANEL	R-3016-010-1/08R	1	X	X	X	X	X	X	X	X	X
70	LABEL (F1/1A)	2719-107-110R	1	X	X	X	X	X	X	X	X	X
71	LABEL (F1/4A)	2719-107-111R	1	X	X	X	X	X	X	X	X	X
72	WALL RING	R-1012-240-1/08R	1	X	X	-	-	X	X	-	-	-
73	WALL RING	R-3016-012-1/08R	1	-	-	X	X	-	-	X	X	-
74	SHELF	R-3016-011-1/08R	1	X	X	X	X	X	X	X	X	X
75	TOP PANEL	R-1012-233-1/02R	1	X	X	X	X	X	X	X	X	X
76	WARRING LABEL	2719-107-728R	1	X	X	X	X	X	X	X	X	X
77	LEFT SIDE PANEL	R-1019-138-1/02R	1	X	X	X	X	X	X	X	X	X
78	LABEL LEFT SIDE PANEL	2719-107-630R	1	X	-	-	-	X	-	-	-	-
79	LABEL LEFT SIDE PANEL	2719-107-632R	1	-	X	-	-	-	X	-	-	-
80	LABEL LEFT SIDE PANEL	2719-107-634R	1	-	-	X	X	-	-	X	X	-

81	LABEL SCHEMATIC PT-200C (400V)	2719-107-851R	1	X	-	-	-	-	-	-	-	-
81A	LABEL SCHEMATIC PT-200C (230/400V)	2719-107-186R	1	-	-	-	-	X	-	-	-	-
82	LABEL SCHEMATIC PT-250C (400V)	2719-107-861R	1	-	X	-	-	-	-	-	-	-
82A	LABEL SCHEMATIC PT-250C (230/400V)	2719-107-187R	1	-	-	-	-	-	X	-	-	-
83	LABEL SCHEMATIC PT-300C (400V)	2719-107-871R	1	-	-	X	X	-	-	-	-	-
83A	LABEL SCHEMATIC PT-300C (230/400V)	2719-107-190R	1	-	-	-	-	-	-	X	X	-
84	RIGHT SIDE PANEL (UPPER)	C-3721-813-1/33R	1	X	X	X	X	X	X	X	X	X
85	LABEL RIGHT SIDE PANEL	2719-107-629R	1	X	-	-	-	X	-	-	-	-
86	LABEL RIGHT SIDE PANEL	2719-107-631R	1	-	X	-	-	-	X	-	-	-
87	LABEL RIGHT SIDE PANEL	2719-107-633R	1	-	-	X	X	-	-	X	X	-
88	RIGHT SIDE PANEL (LOWER)	R-3019-119-1/02R	1	X	X	X	X	X	X	X	X	X
89	COVER	R-1012-246-1/08R	1	X	X	X	X	X	X	X	X	X
90	WIRE FEEDER ASSEMBLY	R-8040-164-1R	1	X	X	X	-	X	X	X	-	-
91	WIRE FEEDER ASSEMBLY	C-6713-009-1R	1	-	-	-	X	-	-	-	X	-
92	INSULATING WASHER	1361-599-564R	2	X	X	X	-	X	X	X	-	-
93	INSULATING WASHER	1361-599-565R	2	X	X	X	-	X	X	X	-	-
94	INSULATING WASHER	1361-599-720R	2	X	X	X	X	X	X	X	X	-
95	INSULATING WASHER	1361-599-721R	2	-	-	-	X	-	-	-	X	-
96	WARNING LABEL (HAND)	2719-107-732R	1	X	X	X	X	X	X	X	X	X
97	LABEL (REAR PANEL)	2719-107-733R	1	X	X	X	X	X	X	X	X	X
98	BRACKET (RECTIFIER)	R-1019-072-1/08R	1	X	X	X	X	X	X	X	X	X
99	HARNESS (PRIMARY VOLTAGE)	R-5041-099-1R	1	X	X	X	X	-	-	-	-	-
99A	HARNESS (PRIMARY VOLTAGE)	R-5041-099-2R		-	-	-	-	X	X	X	X	-
100	HARNESS (SECONDARY VOLTAGE)	R-5041-100-1R	1	X	X	X	X	X	X	X	X	X
101	HINGE	D-3574-007-1/33R	2	X	X	X	X	X	X	X	X	X
102	CONDUCTOR (PE)	R-5041-101-1R	1	X	X	X	X	X	X	X	X	X
103	CONDUCTOR (FOR FAN)	R-5041-114-1R	1	X	X	-	-	X	X	-	-	-

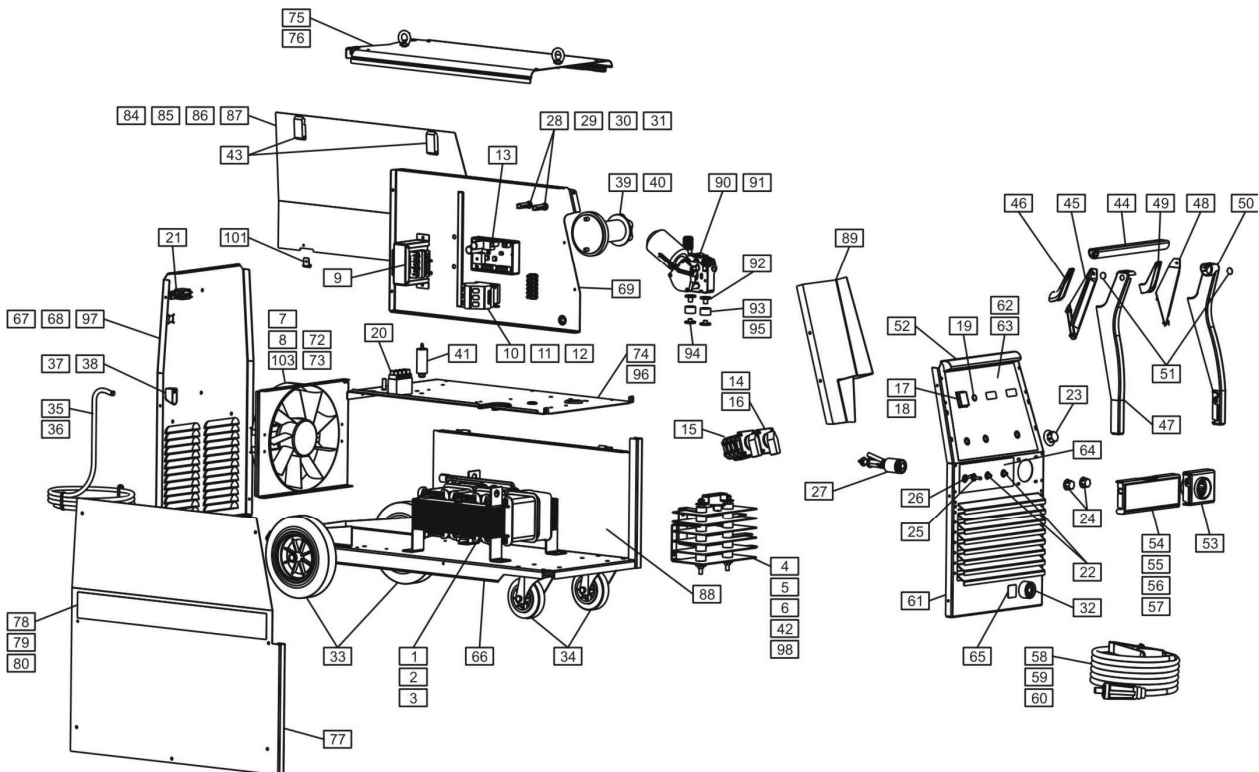


Figure A

FIGURE B: Feeding unit assembly (2/4-rolls wiredrive system)

Item	Description	Part Number	QTY	1	2	3
1	WIRE FEEDER COMPLETE	0744-000-160R	1	X	-	

2	FEED PLATE	0744-000-219R	1	X	-	
3	PRESSURE ARM COMPLETE	0744-000-221R	1	X	-	
4	FIXING ARM COMPL.	0744-000-223R	1	X	-	
5	ADAPTER COPL.	0744-000-227R	1	X	-	
6	INLET GUIDE COMPLETE	0744-000-224R	1	X	-	
7	SPRING PRESSURE ARM	0744-000-220R	1	X	-	
8	AXIS PRESSURE ARM	0646-231-120R	1	X	-	
9	FIXING CAP	0744-000-216R	1	X	-	
10	METAL COVER	0744-000-218R	1	X	-	
11	D.C. MOTOR	0744-000-229R	1	X	X	
12	FERRITE TUBE	1158-290-036R	1	X	X	
13	WIRE GUIDE TUBE	D-1829-066-4R	1	X	X	
14	WOODRUFF KEY	0646-231-102R	1	X	X	
15	WIRE FEEDER COMPLETE	0744-000-167R	1	-	X	
16	FEED PLATE	0646-233-002R	1	-	X	
17	FIXING ARM COMPLETE	0646-233-015R	2	-	X	
18	INLET GUIDE	0646-233-025R	1	-	X	
19	AXIS PRESSURE ARM	0646-233-003R	2	-	X	
20	SPRING PRESSURE ARM	0646-233-013R	2	-	X	
21	PRESSURE ARM COMPLETE LEFT	0646-233-007R	1	-	X	
22	INTERMEDIATE GUIDE	0646-233-023R	1	-	X	
23	AXIS DRIVE ROLL	0646-233-020R	2	-	X	
24	GEAR WHEEL ROLL	0646-231-090R	2	-	X	
25	GEAR WHEEL MOTOR	0646-233-028R	1	-	X	
26	FIXING CAP	0744-000-190R	2	-	X	
27	METAL COVER	0646-233-027R	1	-	X	
28	PRESSURE ARM COMPLETE RIGHT	0646-233-005R	1	-	X	

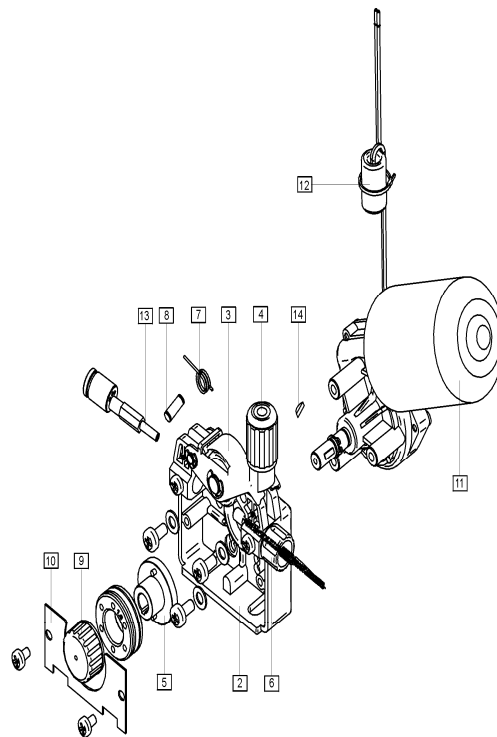


Figure B1: 2 Rolls Wire Drive System (Standard)

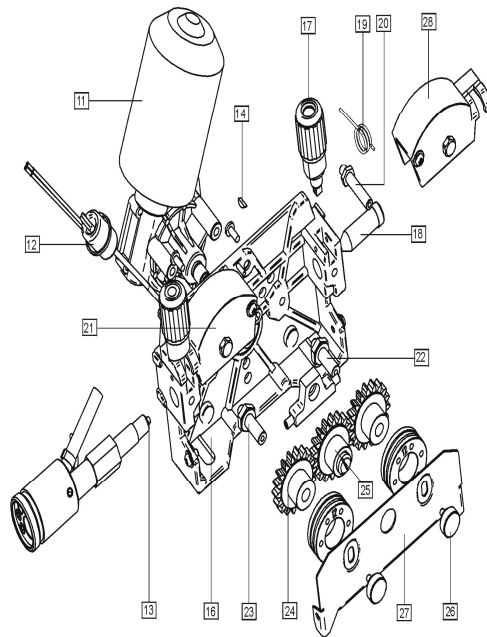


Figure B2: 4 Rolls Wire Drive System (POWERTEC 300C Only)