

## CODE 50003, 50004, 50005, 50023

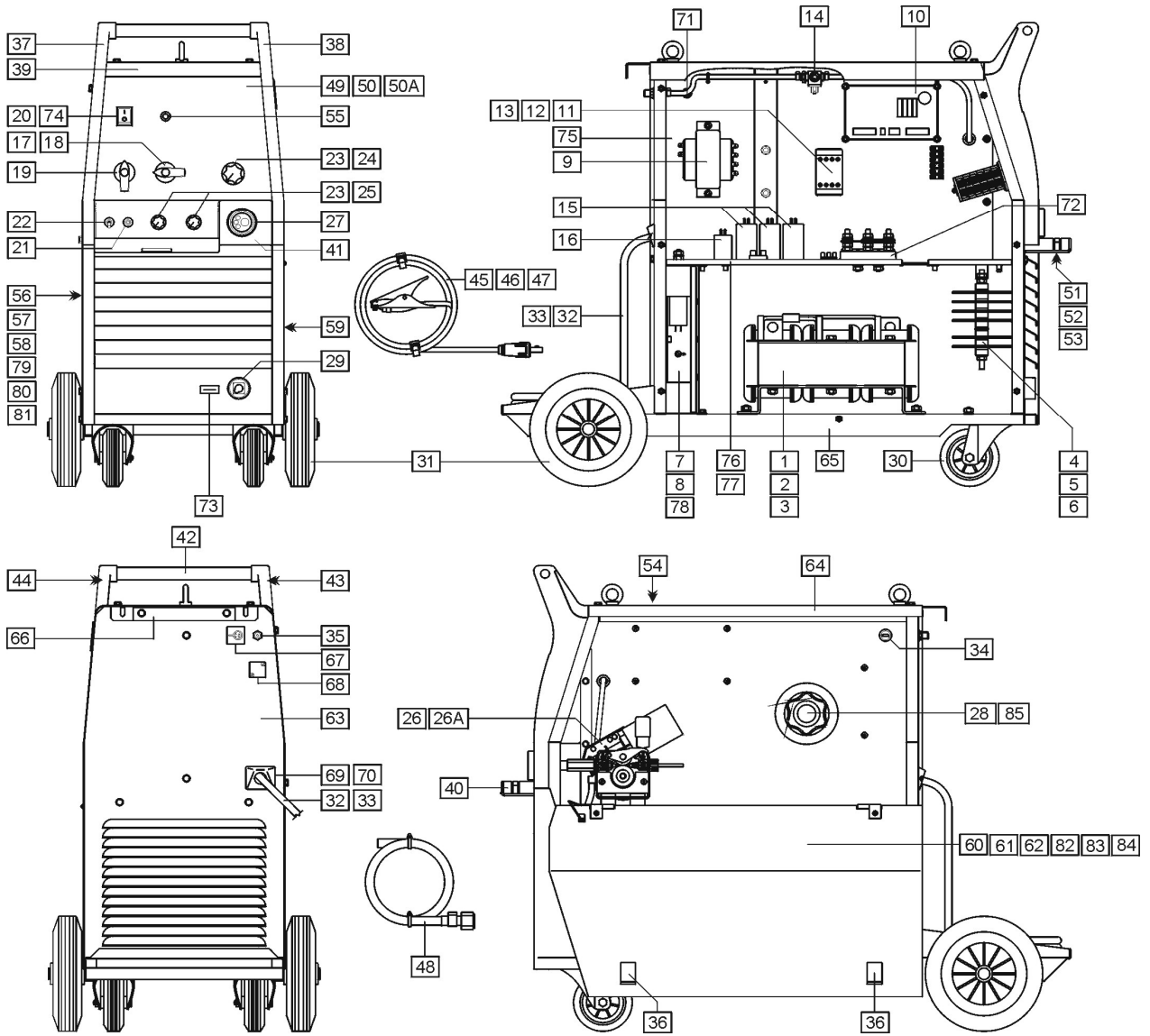
ASSEMBLY PAGE NAME			Machine Assembly	Feeding Unit Assembly: (2 /-4 Rolls Wire Drive System)
CODE NO.:	K NO.:	FIGURE NO.:	A	B
50003	K14003-1	POWERTEC 200C	1	1
50004	K14004-1	POWERTEC 250C	2	1
50005	K14005-1	POWERTEC 300C	3	1
50023	K14005-2	POWERTEC 300C	4	2

**Figure A: Machine Assembly**

Item	Description	Part Number	QTY	1	2	3	4
1	MAIN TRANSFORMER T1	B-4247-479-1R	1	X	-	-	-
2	MAIN TRANSFORMER T1	B-4247-480-1R	1	-	X	-	-
3	MAIN TRANSFORMER T1	B-4247-480-2R	1	-	-	X	X
	THERMAL SENSOR 120°C	1115-769-124R	1	X	X	X	X
4	RECTIFIER SET V1	C-4639-194-1R	1	X	-	-	-
5	RECTIFIER SET V1	C-4639-194-2R	1	-	X	-	-
6	RECTIFIER SET V1	C-4639-194-3R	1	-	-	X	X
	THERMAL SENSOR 100°C	1115-769-011R	1	X	X	X	X
7	FAN M1	0873-100-031R	1	X	X	-	-
8	FAN M1	1111-311-081R	1	-	-	X	X
9	AUXILIARY TRANSFORMER T2	C-4244-374-2R	1	X	X	X	X
10	CONTROL P.C. BOARD	C-3731-399-1R	1	X	X	X	X
11	CONTACTOR K1	1115-212-241R	1	X	-	-	-
12	CONTACTOR K1	1115-212-176R	1	-	X	-	-
13	CONTACTOR K1	1115-212-177R	1	-	-	X	X
14	GAS VALVE K2	0972-423-012R	1	X	X	X	X
15	CAPACITORS C1,C2,C3	1158-121-010R	3	X	X	X	X
16	CAPACITOR C4	1158-121-045R	1	-	-	X	X
17	VOLTAGE SWITCH S1	1115-260-168R	1	X	-	-	-
18	VOLTAGE SWITCH S1	1115-260-167R	1	-	X	X	X
19	VOLTAGE SWITCH S2	1115-260-166R	1	-	X	X	X
20	MAIN SWITCH S3	1115-270-019R	1	X	X	X	X
21	SWITCH	1158-650-022R	1	X	X	X	X
22	SWITCH	1158-650-021R	1	X	X	X	X
23	POTENTIOMETERS R1,R2,R3	1158-113-304R	3	X	X	X	X
24	KNOB	9ET10491R	1	X	X	X	X
25	KNOB	9ET13639-3R	2	X	X	X	X
26	FEEDING UNIT (complete)	R-8040-086-1R	1	X	X	X	-
26A	FEEDING UNIT (complete)	C-6713-009-1R	1	-	-	-	X
27	EURO SOCKET (outlet guide)	C-2985-006-1R	1	X	X	X	X
28	SLEEVE	0744-000-192R	1	X	X	X	X

29	SOCKET X2	C-2986-001-2R	1	X	X	X	X
30	TURNING WHEEL	1029-660-101R	2	X	X	X	X
31	WHEEL	1029-660-201R	2	X	X	X	X
32	MAINS CORD without PLUG 5m	D-5578-171-1R	1	X	-	-	-
33	MAINS CORD without PLUG 5m	D-5578-171-2R	1	-	X	X	X
34	FUSE F1	1158-660-003R	1	X	X	X	X
35	GAS INLET SOCKET	D-1891-135-1R	1	X	X	X	X
36	HINGE	0654-610-004R	2	X	X	X	X
37	LEFT HOLDER	1362-212-002R	1	X	X	X	X
38	RIGHT HOLDER	1362-212-003R	1	X	X	X	X
39	EDGE SHIELD	1362-212-000R	1	X	X	X	X
40	SMALL FLAP	1362-212-001R	1	X	X	X	X
41	EURO SOCKET (insulator)	1362-212-005R	1	X	X	X	X
42	HANDLE	0562-230-001R	1	X	X	X	X
43	LEFT SIDE HANDLE ASSEMBLY	1362-212-006R	1 + 1	X	X	X	X
	+ CAP	1362-212-004R					
44	RIGHT SIDE HANDLE ASSEMBLY	1362-212-007R	1 + 1	X	X	X	X
	+ CAP	1362-212-004R					
45	GROUND CABLE with WORK CLAMP - 3m	K14010-1	1	X	-	-	-
46	GROUND CABLE with WORK CLAMP - 3m	K14011-1	1	-	X	-	-
47	GROUND CABLE with WORK CLAMP - 3m	K14012-1	1	-	-	X	X
48	GAS HOSE -2m	D-5578-174-1R	1	X	X	X	X
49	FRONT DECAL	2719-107-077R	1	X	-	-	-
50	FRONT DECAL	2719-107-078R	1	-	X	X	X
50A	FRONT PANEL	C-3721-810-1/08R	1	X	X	X	X
51	LOGO DECAL	2719-107-719R	1	X	-	-	-
52	LOGO DECAL	2719-107-720R	1	-	X	-	-
53	LOGO DECAL	2719-107-721R	1	-	-	X	X
54	WARNING DECAL	2719-107-728R	1	X	X	X	X
55	LAMP H1	0917-421-024R	1	X	X	X	X
56	LEFT PANEL (WITH DECAL)	C-3721-820-1R	1	X	-	-	-
57	LEFT PANEL (WITH DECAL)	C-3721-820-2R	1	-	X	-	-
58	LEFT PANEL (WITH DECAL)	C-3721-820-3R	1	-	-	X	X
59	LOWER PANEL RIGHT	C-3721-814-1/02R	1	X	X	X	X
60	WIRE DRIVE PANEL (WITH DECAL)	D-3721-392-1R	1	X	-	-	-
61	WIRE DRIVE PANEL (WITH DECAL)	D-3721-392-2R	1	-	X	-	-
62	WIRE DRIVE PANEL (WITH DECAL)	D-3721-392-3R	1	-	-	X	X
63	REAR PANEL	C-3721-809-1/08R	1	X	X	X	X
64	ROOF PANEL (WITH DECAL)	D-3773-044-1R	1	X	X	X	X
65	BOTTOM PANEL	C-3774-070-1/08R	1	X	X	X	X
66	CHAIN SUPPORT	C-2631-399-1/08R	1	X	X	X	X
67	LABEL (GAS)	2719-107-733R	1	X	X	X	X
68	HOLE PLUG	1361-599-058R	1	X	X	X	X
69	CABLE BOX	1361-599-665R	1	X	X	X	X
70	CLAMP	1361-599-633R	1	X	X	X	X
71	FUSE SOCKET	1158-632-032R	1	X	X	X	X
72	TERMINAL BLOCK	1361-599-255R	1	X	X	X	X

73	LABEL (GROUND)	2719-107-729R	1	X	X	X	X
74	SPLASH-PROOF SHIELD	1115-299-073R	1	X	X	X	X
75	DIVIDER PANEL	C-3721-808-1/08R	1	X	X	X	X
76	SHELF	C-3721-811-1/08R	1	X	X	X	X
77	LABEL (UVW)	2719-107-076R	1	X	X	X	X
78	WALL RING	D-3721-399-1/08R	1	X	X	X	X
79	LABEL (LEFT SIDE PANEL)	2719-107-630R	1	X	-	-	-
80	LABEL (LEFT SIDE PANEL)	2719-107-632R	1	-	X	-	-
81	LABEL (LEFT SIDE PANEL)	2719-107-634R	1	-	-	X	X
82	LABEL (RIGHT SIDE PANEL)	2719-107-629R	1	X	-	-	-
83	LABEL (RIGHT SIDE PANEL)	2719-107-631R	1	-	X	-	-
84	LABEL (RIGHT SIDE PANEL)	2719-107-633R	1	-	-	X	X
85	PLASTIC CAP	B11035-1	1	X	X	X	X
86	LABEL (SCHEMATIC)	2719-107-079R	1	X	-	-	-
87	LABEL (SCHEMATIC)	2719-107-080R	1	-	X	-	-
88	LABEL (SCHEMATIC)	2719-107-081R	1	-	-	X	X
89	HARNES	B-7639-434-1R	1	X	-	-	-
90	HARNES	B-7639-437-1R	1	-	X	-	-
91	HARNES	B-7639-435-1R	1	-	-	X	X
92	HARNES	B-7639-427-1R	1	X	X	X	X



**FIGURE B: Feeding unit assembly (2/4-rolls wiredrive system)**

Item	Description	Part number	QTY	1	2
1	WIRE FEEDER COMPLETE	0744-000-160R	1	X	-
2	FEED PLATE	0744-000-219R	1	X	-
3	PRESSURE ARM COMPLETE	0744-000-221R	1	X	-
4	FIXING ARM COMPL.	0744-000-223R	1	X	-
5	ADAPTER COPL.	0744-000-227R	1	X	-
6	INLET GUIDE COMPLETE	0744-000-224R	1	X	-
7	SPRING PRESSURE ARM	0744-000-220R	1	X	-
8	AXIS PRESSURE ARM	0646-231-120R	1	X	-
9	FIXING CAP	0744-000-216R	1	X	-
10	METAL COVER	0744-000-218R	1	X	-
11	D.C. MOTOR	0744-000-229R	1	X	X
12	FERRITE TUBE	1158-290-036R	1	X	X
13	WIRE GUIDE TUBE	D-1829-066-4R	1	X	X
14	WOODRUFF KEY	0646-231-102R	1	X	X
15	WIRE FEEDER COMPLETE	0744-000-167R	1	-	X
16	FEED PLATE	0646-233-002R	1	-	X
17	FIXING ARM COMPLETE	0646-233-015R	2	-	X
18	INLET GUIDE	0646-233-025R	1	-	X
19	AXIS PRESSURE ARM	0646-233-003R	2	-	X
20	SPRING PRESSURE ARM	0646-233-013R	2	-	X
21	PRESSURE ARM COMPLETE LEFT	0646-233-007R	1	-	X
22	INTERMEDIATE GUIDE	0646-233-023R	1	-	X
23	AXIS DRIVE ROLL	0646-233-020R	2	-	X
24	GEAR WHEEL ROLL	0646-231-090R	2	-	X
25	GEAR WHEEL MOTOR	0646-233-028R	1	-	X
26	FIXING CAP	0744-000-190R	2	-	X
27	METAL COVER	0646-233-027R	1	-	X
28	PRESSURE ARM COMPLETE RIGHT	0646-233-005R	1	-	X

