

CODE 50068, 50069, 50070, 50084

ASSEMBLY PAGE NAME			Machine Assembly	Machine assembly (rear side)	Feeding Unit Assembly (2/-4 Rolls Wire Drive System)
CODE NO.:	K NO.:	FIGURE NO.:	A	B	C
50068	K14013-1	POWERTEC 280C PRO	1	1	1
50069	K14014-1	POWERTEC 350C PRO	2	1	1
50070	K14015-1A	POWERTEC 420C PRO	3	2	1
50084	K14015-1W	POWERTEC 420C PRO W	4	3	1

FIGURE A: Machine assembly

Item	Description	part number	QTY	1	2	3	4
1	MAIN TRANSFORMER T1	B-4247-486-2R	1	X	-	-	-
2	MAIN TRANSFORMER T1	B-4247-484-2R	1	-	X	-	-
3	MAIN TRANSFORMER T1	B-4247-485-2R	1	-	-	X	X
	THERMAL SENSOR 140°C	1115-769-013R	1	X	X	X	X
4	CHOKE L1	C-4244-383-2R	1	X	-	-	-
5	CHOKE L1	C-4244-383-4R	1	-	X	X	X
	THERMAL SENSOR 140°C	1115-769-013R	1	X	X	X	X
6	RECTIFIER SET V1	1156-112-069R	1	X	-	-	-
7	RECTIFIER SET V1	1156-112-070R	1	-	X	-	-
8	RECTIFIER SET V1	1156-112-071R	1	-	-	X	X
	THERMAL SENSOR 115°C	1115-769-012R	1	X	X	X	X
	THERMAL SENSOR 80°C	1115-769-003R	1	X	X	X	X
9	FAN M1	1111-311-081R	1	X	X	-	-
10	FAN M1	0874-111-002R	1	-	-	X	X
11	AUXILIARY TRANSFORMER T2	C-4244-384-1R	1	X	X	X	X
12	CONTROL P.C BOARD G4560	C-3731-399-2R	1	X	X	X	X
13	CONTROL P.C BOARD US-67	0918-432-068R	1	X	X	X	X
14	CONTROL P.C BOARD PD-5	0918-432-073R	1	X	X	X	X
15	RECTIFIER SET V2	1156-112-044R	1	X	X	X	X
16	CONTACTOR K1	1115-212-177R	1	X	-	-	-
17	CONTACTOR K1	1115-212-178R	1	-	X	-	-
18	CONTACTOR K1	1115-212-179R	1	-	-	X	X
19	GAS VALVE K2	0972-423-012R	1	X	X	X	X
20	CAPACITORS C1,C2,C3	1158-121-010R	3	X	X	X	X
21	CAPACITOR C4	1158-121-045R	1	X	X	-	-
22	CAPACITOR C4	1158-121-001R	1	-	-	X	X
23	VOLTAGE SWITCH S2	1115-260-166R	1	X	-	-	-
24	VOLTAGE SWITCH S2	1115-260-073R	1	-	X	X	X
25	VOLTAGE SWITCH S1	1115-260-167R	1	X	-	-	-
26	VOLTAGE SWITCH S1	1115-260-074R	1	-	X	X	X
27	MAIN SWITCH S3	1115-270-019R	1	X	X	X	X
28	SPLASH-PROOF SHIELD	1115-299-073R	1	X	X	X	X
29	SWITCH S7	1158-650-021R	1	X	X	X	X
30	SWITCH S6	1158-650-022R	1	X	X	X	X
31	LAMP H1	0917-421-024R	1	X	X	X	X
32	SWITCH S4,S5	1115-299-052R	2	X	X	X	X

33	POTENTIOMETERS R11,R12	1158-113-304R	2	X	X	X	X
34	KNOB	9ET10491R	1	X	X	X	X
35	KNOB	9ET13639-3R	4	X	X	X	X
36	FEEDING UNIT (complete)	C-6713-007-1R	1	X	X	X	X
37	EURO SOCKET (outlet guide)	C-2985-006-1R	1	X	X	X	X
38	WIRE GUIDE TUBE	D-1829-066-4R	1	X	X	X	X
39	SLEEVE	0744-000-192R	1	X	X	X	X
40	PLASTIC CAP	B11035-1	1	X	X	X	X
41	SOCKET X2,X3	C-2986-001-2R	2	X	X	X	X
42	SHUNT B1	0941-712-026R	1	X	X	X	X
43	FERRITE TUBE	1158-290-036R	1	X	X	X	X
44	FUSE F1	1158-660-006R	1	X	X	X	X
45	FUSE SOCKET	1158-632-032R	1	X	X	X	X
46	FUSE CAP	1158-632-033R	1	X	X	X	X
47	TURNING WHEEL	1029-660-127R	2	X	X	X	X
48	WHEEL	1029-660-250R	2	X	X	X	X
49	HINGE	0654-610-004R	5	X	X	X	X
50	EDGE SHIELD	1362-212-010R	1	X	X	X	X
51	LEFT HOLDER	1362-212-002R	1	X	X	X	X
52	SUPPORT LEFT HOLDER	D-3631-908-1/08R	1	X	X	X	X
53	RIGHT HOLDER	1362-212-003R	1	X	X	X	X
54	RIGHT LEFT HOLDER	D-3631-908-2/08R	1	X	X	X	X
55	EURO SOCKET (insulator)	1362-212-009R	1	X	X	X	X
56	CAP	1362-212-004R	2	X	X	X	X
57	LEFT SIDE HANDLE ASSEMBLY	1362-212-006R	1	X	X	X	X
58	RIGHT SIDE HANDLE ASSEMBLY	1362-212-007R	1	X	X	X	X
59	SMALL FLAP	1362-212-001R	1	X	X	X	X
60	GAS HOSE -2m	D-5578-174-1R	1	X	X	X	X
61	GROUND CABLE with WORK CLAMP -3m	K14011-1	1	X	-	-	-
62	GROUND CABLE with WORK CLAMP -3m	K14018-1	1	-	X	-	-
63	GROUND CABLE with WORK CLAMP -3m	K14019-1	1	-	-	X	X
64	QUICK CONNECT COUPLING (ONLY WATER)	0744-000-151R	4	-	-	-	X
65	LABEL	2719-107-012R	1	X	X	X	-
66	LABEL	2719-107-761R	1	-	-	-	X
67	FRONT LABEL	2719-107-086R	1	X	-	-	-
68	FRONT LABEL	2719-107-087R	1	-	X	X	X
69	FRONT PANEL	C-3721-828-1/08R	1	-	X	X	X
70	FRONT PANEL	C-3721-828-2/08R	1	X	-	-	-
71	COVER	C-2773-159-1/08R	1	X	X	X	X
72	LEFT SIDE PANEL WITH LABELS	C-3721-836-1R	1	X	-	-	-
73	LEFT SIDE PANEL WITH LABELS	C-3721-836-2R	1	-	X	-	-
74	LEFT SIDE PANEL WITH LABELS	C-3721-836-3R	1	-	-	X	-
75	LEFT SIDE PANEL WITH LABELS	C-3721-836-4R	1	-	-	-	X
76	RIGHT SIDE PANEL WITH LABEL	D-3721-392-4R	1	X	-	-	-
77	RIGHT SIDE PANEL WITH LABEL	D-3721-392-5R	1	-	X	-	-
78	RIGHT SIDE PANEL WITH LABEL	D-3721-392-6R	1	-	-	X	X
79	RIGHT SIDE PANEL	C-3721-814-2/33R	1	X	X	X	X
80	LEFT SIDE PANEL	D-3721-401-1/33R	1	X	X	X	X
81	POWER RESISTOR R1	1158-112-012R	1	X	-	-	-
82	POWER RESISTOR R1	1158-112-008R	1	-	X	X	X
83	TOP PANEL	D-3773-044-2R	1	X	X	X	X
84	BOTTOM PANEL	C-3774-071-1/08R	1	X	X	X	X
85	WALL RING	C-3721-825-1/08R	1	X	X	-	-
86	WALL RING	C-3721-826-1/08R	1	-	-	X	X
87	SHELF	D-3721-400-1/08R	1	X	X	X	X

88	SHELF	C-3721-829-1/08R	1	X	X	X	X
89	SHELF	C-3721-830-1/08R	1	X	X	X	X
90	DIVIDER PANEL	C-3721-831-1/08R	1	X	X	X	X
91	TOP PANEL	D-3773-045-1/08R	1	X	X	X	X
92	COVER	C-2773-159-1/08R	1	X	X	X	X
93	BRACKET	D-3631-909-1/08R	1	X	X	X	X
94	LABEL (LEFT SIDE PANEL)	2719-107-088R	1	X	-	-	-
95	LABEL (LEFT SIDE PANEL)	2719-107-883R	1	-	X	-	-
96	LABEL (LEFT SIDE PANEL)	2719-107-885R	1	-	-	X	X
97	LABEL (SCHEMATIC)	2719-107-091R	1	X	-	-	-
98	LABEL (SCHEMATIC)	2719-107-921R	1	-	X	X	-
99	LABEL (SCHEMATIC)	2719-107-093R	1	-	-	-	X
100	LABEL (RIGHT SIDE PANEL)	2719-107-882R	1	X	-	-	-
101	LABEL (RIGHT SIDE PANEL)	2719-107-884R	1	-	X	-	-
102	LABEL (RIGHT SIDE PANEL)	2719-107-886R	1	-	-	X	X
103	LABEL (WELDIND PARAMETERS)	2719-107-753R	1	X	X	X	X
104	LABEL (F/3A)	2719-107-776R	1	X	X	X	X
105	LABEL WARNING	2719-107-728R	1	X	X	X	X
106	LABEL (L1,L2,L3,U,V,W)	2719-107-076R	1	X	X	X	X
107	WIRING HARNESS (MAIN VOLTAGE)	B-7639-444-1R	1	X	-	-	-
108	WIRING HARNESS (MAIN VOLTAGE)	B-7639-450-1R	1	-	X	-	-
109	WIRING HARNESS (MAIN VOLTAGE)	B-7639-445-1R	1	-	-	X	-
110	WIRING HARNESS (MAIN VOLTAGE)	B-7639-446-1R	1	-	-	-	X
111	WIRING HARNESS (SECONDARY VOLTAGE)	B-7639-449-1R	1	X	X	X	-
112	WIRING HARNESS (SECONDARY VOLTAGE)	B-7639-449-2R	1	-	-	-	X

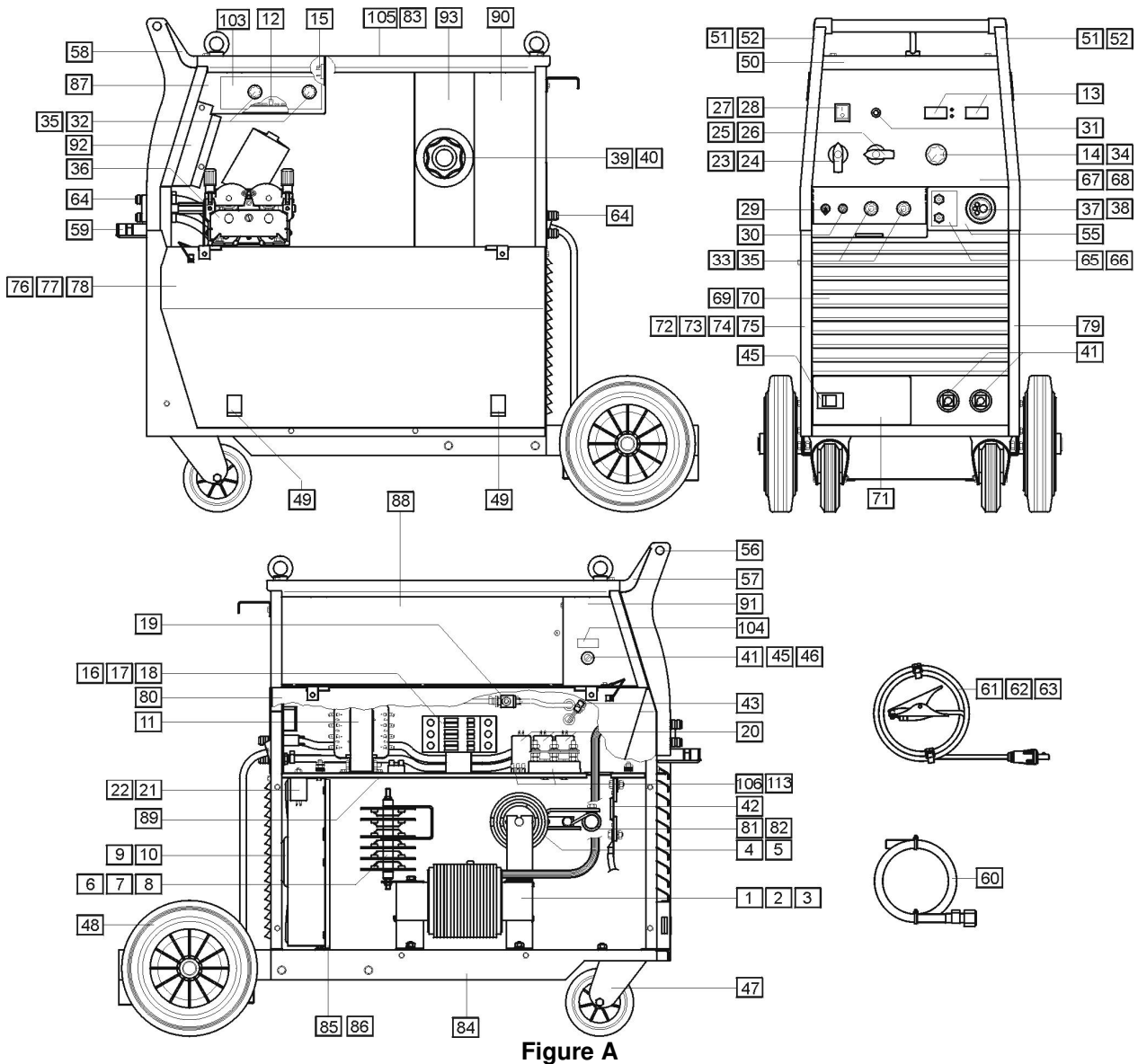


FIGURE B: Machine assembly (rear side)

Item	Description	part number	QTY	1	2	3
1	HANDLE	0562-230-005R	1	X	X	X
2	REAR PANEL	C-3721-827-1/08R	1	X	X	X
3	GAS INLET SOCKET	D-1891-135-1R	1	X	X	X
4	MAINS CORD whitout PLUG -5m (4x4mm ²)	D-5578-171-2R	1	X	-	-
5	MAINS CORD whitout PLUG -5m (4x6mm ²)	D-5578-171-3R	1	-	X	X
6	CABLE BOX	1361-599-665R	1	X	X	X
7	CLAMP	1361-599-633R	1	X	X	X
8	PANEL	D-3721-403-1/08R	1	X	X	-
9	PANEL	D-3721-402-1/08R	1	-	-	X
10	HOLE PLUG	1361-599-058R	1	X	X	X
11	CIRCUIT BREAKER Q1 (ONLY WATER)	1115-299-027R	1	-	-	X
12	SOCKET X16 (ONLY WATER)	1131-222-004R	1	-	-	X
13	LABEL	2719-107-733R	1	X	X	X
14	LABEL	2719-107-762R	1	-	-	X
15	CHAIN SUPPORT	C-2631-407-1/08R	1	X	X	X
16	WATER COOLER (ONLY WATER)	K14037-1	1	-	-	X
17	COOLER BRACKET (ONLY WATER)	D-2632-641-1/33R	1	-	-	X
18	SHELF	R-3019-026-1/08R	1	-	-	X

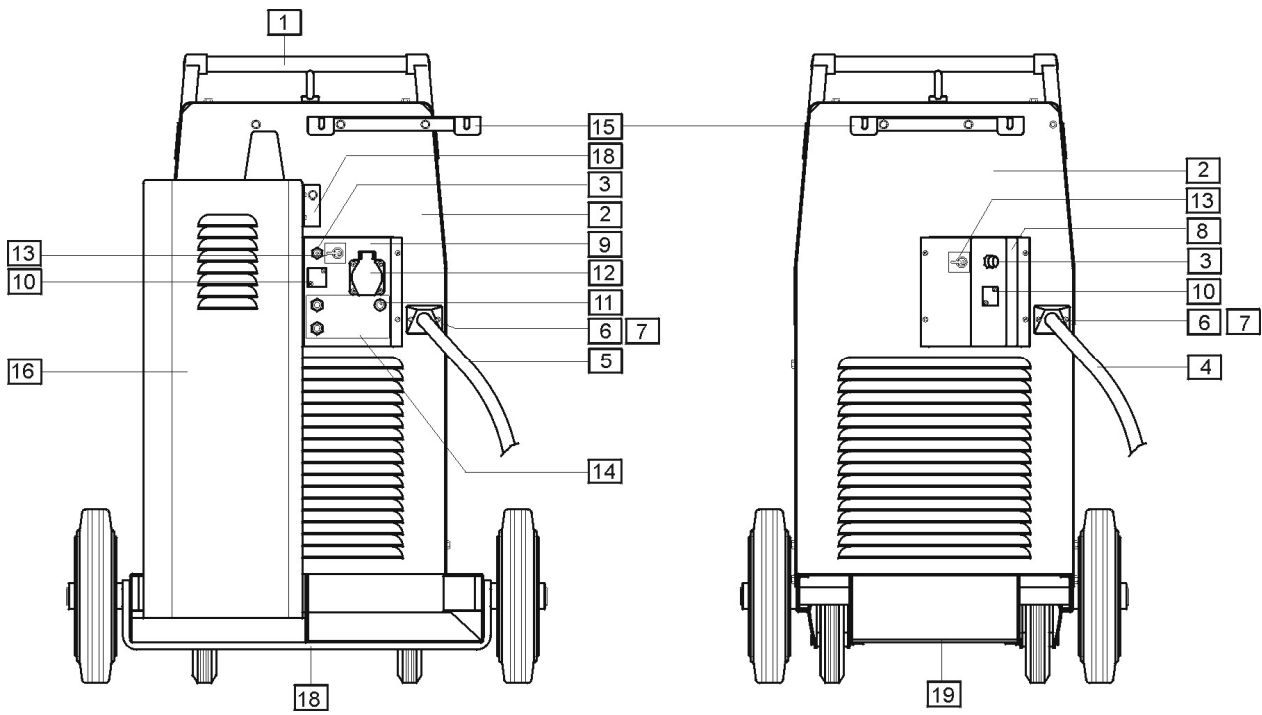


Figure B