

**CODE 50042, 50072, 50074, 50076, 50085, 50086, 50087**

| ASSEMBLY<br>PAGE NAME |           |                       | Machine<br>Assembly | Machine<br>Assembly | Machine<br>Assembly<br>(Rear side) |
|-----------------------|-----------|-----------------------|---------------------|---------------------|------------------------------------|
| CODE NO.:             | K NO.:    | FIGURE NO.:           | A                   | B                   | C                                  |
| 50042                 | K14020-1  | POWERTEC 300S         | 1                   | -                   | 1                                  |
| 50072                 | K14021-1A | POWERTEC 360S         | -                   | 1                   | 2                                  |
| 50074                 | K14022-1A | POWERTEC 420S         | -                   | 2                   | 3                                  |
| 50076                 | K14023-1A | POWERTEC 500S         | -                   | 3                   | 3                                  |
| 50085                 | K14021-1W | POWERTEC 360S (WATER) | -                   | 1                   | 4                                  |
| 50086                 | K14022-1W | POWERTEC 420S (WATER) | -                   | 2                   | 5                                  |
| 50087                 | K14023-1W | POWERTEC 500S (WATER) | -                   | 3                   | 5                                  |

**Figure A: Machine Assembly (PowerTec 300S)**

| Item | Description                       | Part Number      | QTY | 1 |
|------|-----------------------------------|------------------|-----|---|
| 1    | MAIN TRANSFORMER T1               | B-4247-480-2R    | 1   | X |
|      | THERMAL SENSOR 120°C              | 1115-769-124R    | 1   | X |
| 2    | RECTIFIER SET 1                   | 1156-112-172R    | 1   | X |
|      | THERMAL SENSOR 115°C              | 1115-769-012R    | 1   | X |
| 3    | FAN M1                            | 1111-311-081R    | 1   | X |
| 4    | AUXILIARY TRANSFORMER T2          | C-4244-374-2R    | 1   | X |
| 5    | CONTACTOR K1                      | 1115-212-177R    | 1   | X |
| 6    | CAPACITORS C1,C2,C3               | 1158-121-010R    | 3   | X |
| 7    | CAPACITOR C4                      | 1158-121-045R    | 1   | X |
| 8    | VOLTAGE SWITCH S1                 | 1115-260-167R    | 1   | X |
| 9    | VOLTAGE SWITCH S2                 | 1115-260-166R    | 1   | X |
| 10   | MAIN SWITCH S3                    | 1115-270-019R    | 1   | X |
| 11   | SOCKET X1, X2                     | C-2986-001-2R    | 2   | X |
| 12   | SOCKET X3                         | 1158-641-130R    | 1   | X |
| 13   | TURNING WHEEL                     | 1029-660-101R    | 2   | X |
| 14   | WHEEL                             | 1029-660-201R    | 2   | X |
| 15   | LEFT HOLDER                       | 1362-212-002R    | 1   | X |
| 16   | RIGHT HOLDER                      | 1362-212-003R    | 1   | X |
| 17   | EDGE SHIELD                       | 1362-212-000R    | 1   | X |
| 18   | HANDLE                            | 0562-230-001R    | 1   | X |
| 19   | RIGHT SIDE HANDLE ASSEMBLY + CAP  | 1362-212-007R    | 1+1 | X |
|      |                                   | 1362-212-004R    |     |   |
| 20   | LEFT SIDE HANDLE ASSEMBLY + CAP   | 1362-212-006R    | 1+1 | X |
|      |                                   | 1362-212-004R    |     |   |
| 21   | FRONT DECAL                       | 2719-107-942R    | 1   | X |
| 22   | CARRIAGE SUPPORT                  | 1361-598-181R    | 1   | X |
| 23   | GROUND CABLE WITH WORK CLAMP - 3m | K14012-1         | 1   | X |
| 24   | RIGHT SIDE PANEL WITH LABEL       | R-8040-073-1R    | 1   | X |
| 25   | LEFT SIDE PANEL WITH LABEL        | R-8040-072-1R    | 1   | X |
| 26   | FRONT PANEL                       | R-3019-032-1/08R | 1   | X |
| 27   | TOP PANEL WITH LABELS             | R-8040-071-1R    | 1   | X |
| 28   | SPLASH-PROOF SHIELD               | 1115-299-073R    | 1   | X |
| 29   | TERMINAL BLOCK                    | 1361-599-255R    | 1   | X |
| 30   | SUPPORT                           | R-8040-034-1/08R | 1   | X |
| 31   | RIGHT BRACKET (HANDLE)            | D-3631-908-2/08R | 1   | X |

|    |                          |                  |   |   |
|----|--------------------------|------------------|---|---|
| 32 | LEFT BRACKET (HANDLE)    | D-3631-908-1/08R | 1 | X |
| 33 | BOTTOM PANEL             | C-3774-070-1/08R | 1 | X |
| 34 | SHELF                    | R-3019-033-1/08R | 1 | X |
| 35 | DIVIDER PANEL            | R-3019-031-1/08R | 1 | X |
| 36 | WALL RING                | C-3721-819-1/08R | 1 | X |
| 37 | CHAIN SUPPORT            | C-2631-399-1/08R | 1 | X |
| 38 | LABEL (RIGHT SIDE PANEL) | 2719-107-958R    | 1 | X |
| 39 | LABEL (LEFT SIDE PANEL)  | 2719-107-957R    | 1 | X |
| 40 | LABEL (UVWL1L2L3)        | 2719-107-076R    | 1 | X |
| 41 | LABEL (WARNING)          | 2719-107-728R    | 1 | X |

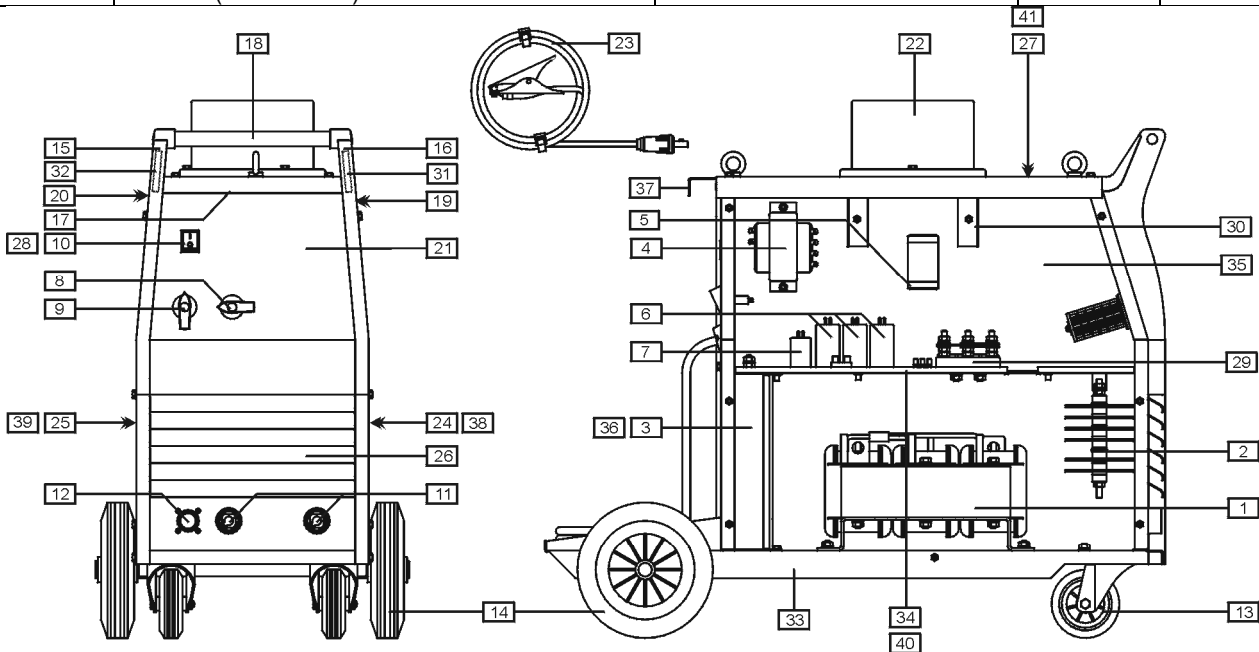


Figure A: Machine Assembly (PowerTec 300S)

Figure B: Machine Assembly (PowerTec 360S, 420S, 500S)

| Item | Description                  | Part Number   | QTY | 1 | 2 | 3 |
|------|------------------------------|---------------|-----|---|---|---|
| 1    | MAIN TRANSFORMER T1          | R-4034-013-2R | 1   | X | - | - |
| 2    | MAIN TRANSFORMER T1          | R-4034-009-2R | 1   | - | X | - |
| 3    | MAIN TRANSFORMER T1          | R-4034-004-2R | 1   | - | - | X |
|      | THERMAL SENSOR 140°C         | 1115-769-013R | 1   | X | X | X |
| 4    | CHOKE L1                     | C-4244-383-4R | 1   | X | X | - |
| 5    | CHOKE L1                     | R-4034-001-2R | 1   | - | - | X |
|      | THERMAL SENSOR 140°C         | 1115-769-013R | 1   | X | X | X |
|      | THERMAL SENSOR 65°C          | 1115-769-053R | 1   | X | X | X |
| 6    | RECTIFIER SET 1              | 1156-112-070R | 1   | X | - | - |
| 7    | RECTIFIER SET 1              | 1156-112-071R | 1   | - | X | - |
| 8    | RECTIFIER SET 1              | 1156-112-072R | 1   | - | - | X |
|      | THERMAL SENSOR 115°C         | 1115-769-012R | 1   | X | X | X |
|      | THERMAL SENSOR 80°C          | 1115-769-003R | 1   | X | X | X |
| 9    | FAN M1                       | 0874-111-003R | 1   | X | X | X |
| 10   | MAIN SWITCH S3               | 1115-270-019R | 1   | X | X | X |
| 11   | SOCKET X1, X2                | C-2986-001-3R | 1   | X | X | X |
| 12   | SOCKET X3                    | 1158-641-130R | 1   | X | X | X |
| 13   | VOLTMETER POLARITY SWITCH S4 | 1158-650-023R | 1   | X | X | X |
| 14   | AUXILIARY TRANSFORMER T2     | C-4244-384-1R | 1   | X | X | X |

|    |                                  |                  |     |   |   |   |
|----|----------------------------------|------------------|-----|---|---|---|
| 15 | LEFT HOLDER                      | 1362-212-002R    | 1   | X | X | X |
| 16 | RIGHT HOLDER                     | 1362-212-003R    | 1   | X | X | X |
| 17 | VOLTAGE SWITCH S1                | 1115-260-074R    | 1   | X | X | - |
| 18 | VOLTAGE SWITCH S1                | 1115-260-224R    | 1   | - | - | X |
| 19 | RIGHT SIDE HANDLE ASSEMBLY + CAP | 1362-212-007R    | 1+1 | X | X | X |
|    |                                  | 1362-212-004R    |     |   |   |   |
| 20 | LEFT SIDE HANDLE ASSEMBLY + CAP  | 1362-212-006R    | 1+1 | X | X | X |
|    |                                  | 1362-212-004R    |     |   |   |   |
| 21 | RELAY K3                         | 0918-412-021R    | 1   | X | X | X |
| 22 | CARRIAGE SUPPORT                 | 1361-598-181R    | 1   | X | X | X |
| 23 | VOLTAGE SWITCH S2                | 1115-260-073R    | 1   | X | X | - |
| 24 | VOLTAGE SWITCH S2                | 1115-260-223R    | 1   | - | - | X |
| 25 | CONTACTOR K1                     | 1115-212-178R    | 1   | X | - | - |
| 26 | CONTACTOR K1                     | 1115-212-179R    | 1   | - | X | - |
| 27 | CONTACTOR K1                     | 1115-212-180R    | 1   | - | - | X |
| 28 | CAPACITORS C1,C2,C3              | 1158-125-373R    | 3   | X | X | X |
| 29 | CAPACITOR C4                     | 1158-121-001R    | 1   | X | X | X |
| 30 | TURNING WHEEL                    | 1029-660-127R    | 2   | X | X | X |
| 31 | WHEEL                            | 1029-660-250R    | 2   | X | X | X |
| 32 | FRONT DECAL                      | 2719-107-094R    | 1   | X | X | X |
| 33 | HANDLE                           | 0562-230-005R    | 1   | X | X | X |
| 34 | EDGE SHIELD                      | 1362-212-010R    | 1   | X | X | X |
| 35 | GROUND CABLE WITH WORK CLAMP -3m | K14018-1         | 1   | X | - | - |
| 36 | GROUND CABLE WITH WORK CLAMP -3m | K14019-1         | 1   | - | X | - |
| 37 | GROUND CABLE WITH WORK CLAMP -3m | K14033-1         | 1   | - | - | X |
| 38 | RIGHT SIDE PANEL WITH LABEL      | R-8040-058-6R    | 1   | X | - | - |
| 39 | RIGHT SIDE PANEL WITH LABEL      | R-8040-058-4R    | 1   | - | X | - |
| 40 | RIGHT SIDE PANEL WITH LABEL      | R-8040-058-2R    | 1   | - | - | X |
| 41 | LEFT SIDE PANEL WITH LABEL       | R-8040-058-5R    | 1   | X | - | - |
| 42 | LEFT SIDE PANEL WITH LABEL       | R-8040-058-3R    | 1   | - | X | - |
| 43 | LEFT SIDE PANEL WITH LABEL       | R-8040-058-1R    | 1   | - | - | X |
| 44 | FRONT PANEL                      | R-8040-022-1/08R | 1   | X | X | X |
| 45 | TOP PANEL WITH LABELS            | R-8040-057-1R    | 1   | X | X | X |
| 46 | POWER RESISTOR R1                | 1158-112-008R    | 1   | X | X | X |
| 47 | BOTTOM PANEL                     | R-8040-030-1/08R | 1   | X | X | X |
| 48 | WALL RING                        | R-3019-024-1/08R | 1   | X | X | X |
| 49 | DIVIDER PANEL                    | R-8040-021-1/08R | 1   | X | X | X |
| 50 | SHELF                            | R-8040-025-1/08R | 1   | X | X | X |
| 51 | TRAY                             | R-8040-032-1/08R | 1   | X | X | X |
| 52 | CHAIN SUPPORT                    | C-2631-407-1/08R | 1   | X | X | X |
| 53 | METAL COUVER                     | R-8040-033-1/08R | 1   | X | X | X |
| 54 | SPLASH-PROOF SHIELD              | 1115-299-073R    | 1   | X | X | X |
| 55 | TERMINAL BLOCK                   | 1361-599-255R    | 1   | X | X | X |
| 56 | SUPPORT                          | R-8040-034-1/08R | 1   | X | X | X |
| 57 | RIGHT BRACKET (HANDLE)           | D-3631-908-2/08R | 1   | X | X | X |
| 58 | LEFT BRACKET (HANDLE)            | D-3631-908-1/08R | 1   | X | X | X |
| 59 | LABEL (RIGHT SIDE PANEL)         | 2719-107-952R    | 1   | X | - | - |
| 60 | LABEL (RIGHT SIDE PANEL)         | 2719-107-954R    | 1   | - | X | - |
| 61 | LABEL (RIGHT SIDE PANEL)         | 2719-107-956R    | 1   | - | - | X |
| 62 | LABEL (LEFT SIDE PANEL)          | 2719-107-951R    | 1   | X | - | - |
| 63 | LABEL (LEFT SIDE PANEL)          | 2719-107-953R    | 1   | - | X | - |
| 64 | LABEL (LEFT SIDE PANEL)          | 2719-107-955R    | 1   | - | - | X |
| 65 | LABEL (UVWL1L2L3)                | 2719-107-076R    | 1   | X | X | X |
| 66 | LABEL (WARNING)                  | 2719-107-728R    | 1   | X | X | X |

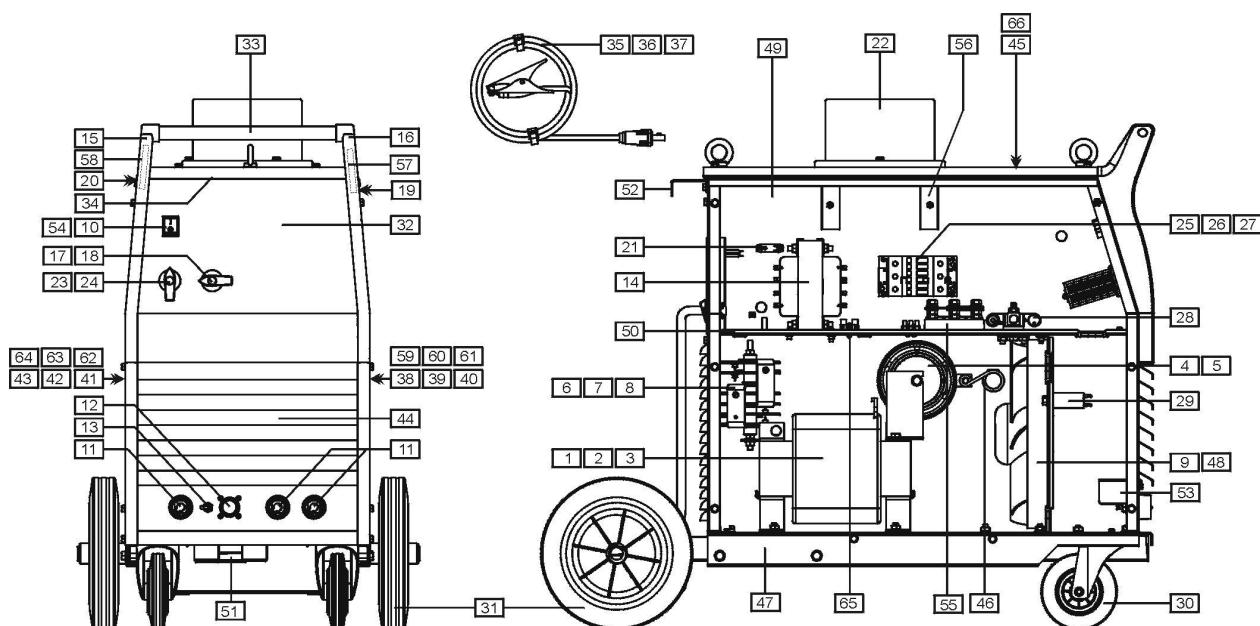


Figure B: Machine Assembly (PowerTec 360S , 420S , 500S)

Figure C: Machine Assembly (Rear side)

| Item | Description                          | Part Number      | QTY | 1 | 2 | 3 | 4 | 5 |
|------|--------------------------------------|------------------|-----|---|---|---|---|---|
| 1    | MAINS CORD WITHOUT PLUG -5m (4x4mm2) | D-5578-171-2R    | 1   | X | X | - | X | - |
| 2    | MAINS CORD WITHOUT PLUG -5m (4x6mm2) | D-5578-171-3R    | 1   | - | - | X | - | X |
| 3    | FUSE F1 (3A, 400V)                   | 1158-660-006R    | 1   | X | X | X | X | X |
| 4    | FUSE SOCKET                          | 1158-632-032R    | 1   | X | X | X | X | X |
| 5    | FUSE CAP                             | 1158-632-033R    | 1   | X | X | X | X | X |
| 6    | CABLE BOX                            | 1361-599-665R    | 1   | X | X | X | X | X |
| 7    | CLAMP                                | 1361-599-633R    | 1   | X | X | X | X | X |
| 8    | HOLE PLUG                            | 1361-599-058R    | 1   | X | X | X | X | X |
| 9    | CIRCUIT BREAKER Q1 (ONLY WATER)      | 1115-299-027R    | 1   | - | - | - | X | X |
| 10   | SOCKET X9 (ONLY WATER)               | 1131-222-004R    | 1   | - | - | - | X | X |
| 11   | WATER COOLER (ONLY WATER)            | K14037-1         | 1   | - | - | - | X | X |
| 12   | COOLER BRACKET (ONLY WATER)          | R-1019-070-1/02R | 1   | - | - | - | X | X |
| 13   | REAR PANEL                           | R-8040-070-1R    | 1   | X | - | - | - | - |
| 14   | REAR PANEL                           | R-8040-031-1/08R | 1   | - | X | X | X | X |
| 15   | SHELF                                | R-3019-042-1/08R | 1   | - | X | X | - | - |
| 16   | SHELF                                | R-3019-026-1/08R | 1   | - | - | - | X | X |
| 17   | PANEL                                | D-3721-403-2/08R | 1   | - | X | X | - | - |
| 18   | PANEL                                | R-3019-045-1/08R | 1   | - | - | - | X | X |
| 19   | LABEL (F/3A)                         | 2719-107-776R    | 1   | X | X | X | X | X |
| 20   | HARNESS                              | R-7040-023-1R    | 1   | X | - | - | - | - |
| 21   | HARNESS                              | R-7040-018-5R    | 1   | - | X | - | - | - |
| 22   | HARNESS                              | R-7040-018-3R    | 1   | - | - | - | X | - |
| 23   | HARNESS                              | R-7040-018-4R    | 1   | - | - | X | - | - |
| 24   | HARNESS                              | R-7040-018-1R    | 1   | - | - | - | - | X |

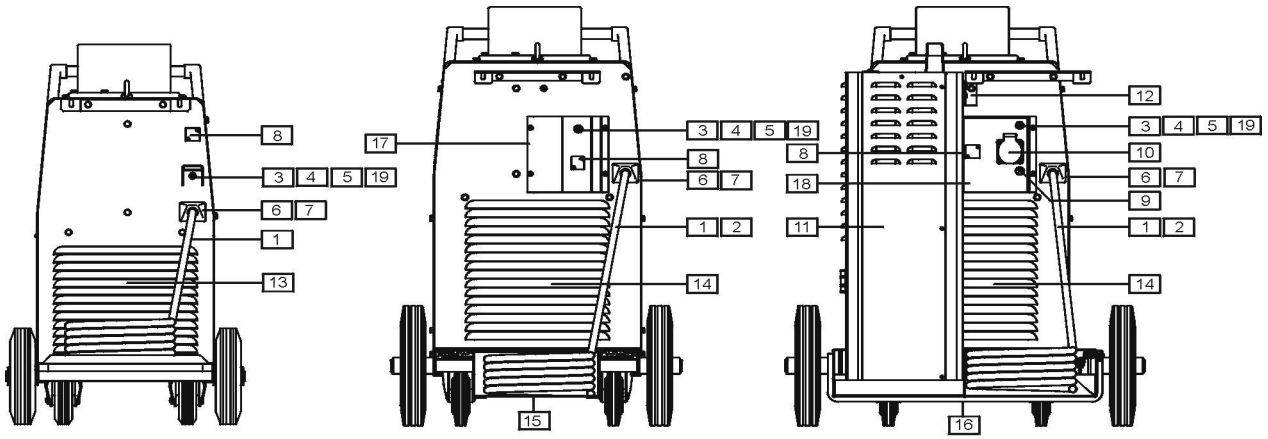


Figure C: Machine Assembly (Rear side)