

CODE 50078, 50081

ASSEMBLY PAGE NAME			Machine Assembly	Machine Assembly (Rear side)
CODE NO.:	K NO.:	FIGURE NO.:	A	B
50079	K14028-1A	CV 420 AIR	1	1
50078	K14028-1W	CV 420 WATER	1	2
50080	K14028-2W	CV 420 WATER	1	3
50082	K14029-1A	CV 505 AIR	2	1
50081	K14029-1W	CV 505 WATER	2	2
50083	K14029-2W	CV 505 WATER	2	3

Figure A: Machine Assembly

Item	Description	Part Number	QTY	1	2
1	MAIN TRANSFORMER T1	R-4034-005-1R	1	X	-
2	MAIN TRANSFORMER T1	R-4034-006-1R	1	-	X
3	RECTIFIER SET V1	1156-112-003R	1	X	-
4	RECTIFIER SET V1	1156-112-002R	1	-	X
5	CHOKE L1	R-4034-002-1R	1	X	-
6	CHOKE L1	R-4034-014-1R	1	-	X
7	FAN M1	0874-111-003R	1	X	X
8	CAPACITORS C1,C2,C3	1158-125-373R	3	X	X
9	SHUNT R2	0941-712-026R	1	X	X
10	RESISTOR R1	1158-112-360R	1	X	X
11	TURNING WHEEL	1029-660-127R	2	X	X
12	WHEEL	1029-660-250R	2	X	X
13	MAIN SWITCH S1	1115-260-009R	1	X	X
14	SOCKET X2, X3, X4	C-2986-001-3R	3	X	X
15	SOCKET X10	1158-641-130R	1	X	X
16	VOLTMETER POLARITY SWITCH S9	1158-650-023R	1	X	X
17	FRONT DECAL	2719-107-254R	1	X	X
18	LEFT HOLDER	1362-212-002R	1	X	X
19	RIGHT HOLDER	1362-212-003R	1	X	X
20	SIGNAL LAMP H1	0917-421-041R	1	X	X
21	SIGNAL LAMP H2	0917-421-024R	1	X	X
22	RIGHT SIDE HANDLE ASSEMBLY	1362-212-007R	1+1	X	X
	CAP	1362-212-004R			
23	LEFT SIDE HANDLE ASSEMBLY	1362-212-006R	1+1	X	X
	CAP	1362-212-004R			
24	EDGE SHIELD	1362-212-010R	1	X	X
25	CARRIAGE SUPPORT	1361-598-181R	1	X	X
26	HANDLE	0562-230-005R	1	X	X
27	CAPACITORS C5,C6,C7	1158-128-043R	3	X	X
28	CAPACITOR C4	1158-121-001R	1	X	X
29	CONTROL PCB	0918-432-070R	1	X	X
30	GROUND CABLE WITH WORK CLAMP -3m	K14033-1	1	X	X

31	POWER RESISSTOR R3	1158-112-008R	1	X	X
----	--------------------	---------------	---	---	---

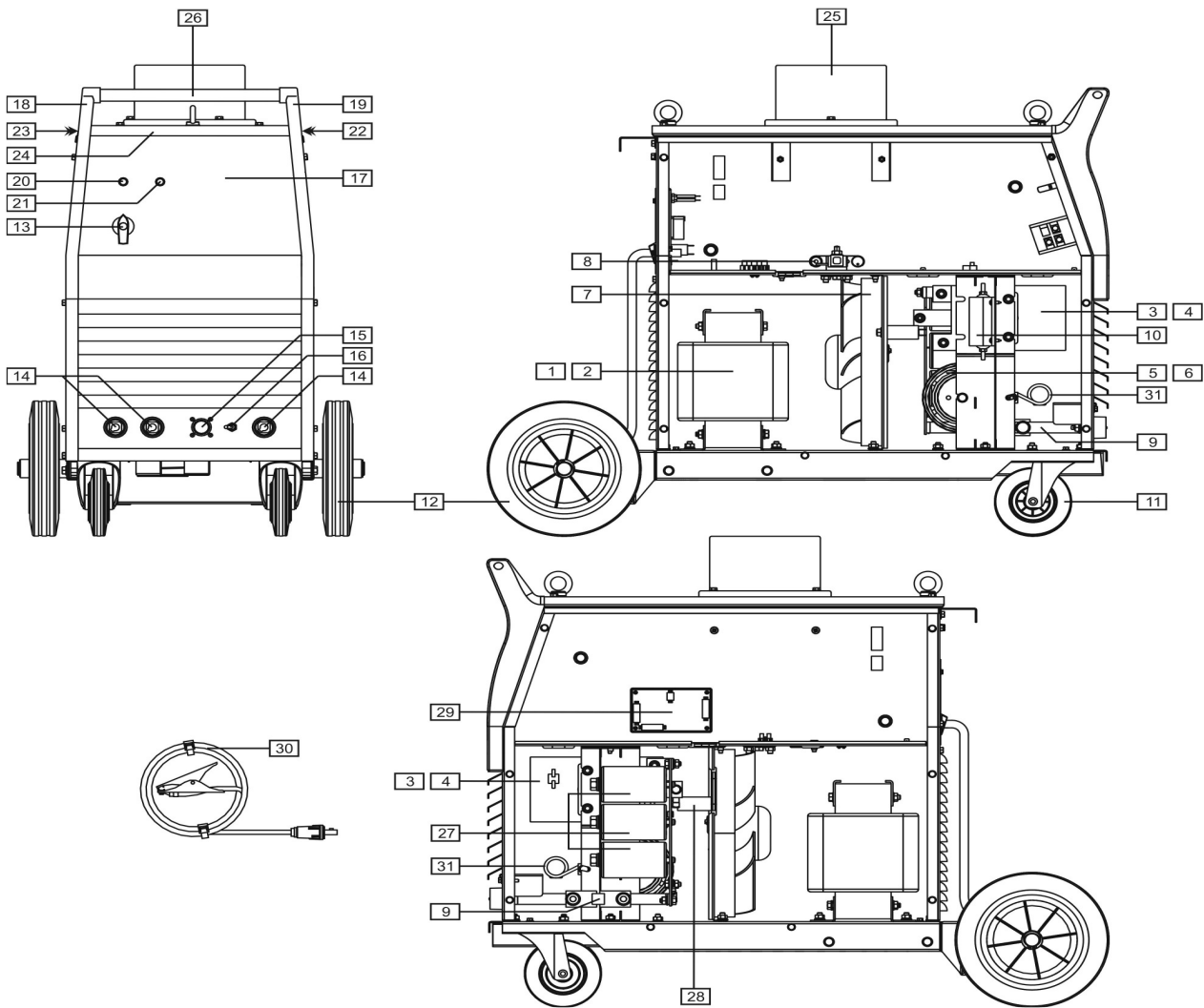


Figure A

Figure B: Machine Assembly (Rear side)

Item	Description	Part Number	QTY	1	2	3
1	MAINS CORD without PLUG -5m (4x6mm ²)	R-5041-026-1R	1	X	X	X
2	FUSE F1 (6,3A, 400V)	1158-660-008R	1	X	X	X
3	CIRCUIT BREAKER Q1 (ONLY WATER)	1115-299-027R	1	-	X	X
4	SOCKET X9 (ONLY WATER)	1131-222-004R	1	-	X	X
5	COOLER BRACKET (ONLY WATER)	D-2632-641-1/33R	1	-	X	-
6	WATER COOLER (ONLY WATER)	K10329	1	-	X	-
7	COOLER BRACKET (ONLY WATER)	R-1019-040-1R	1	-	-	X

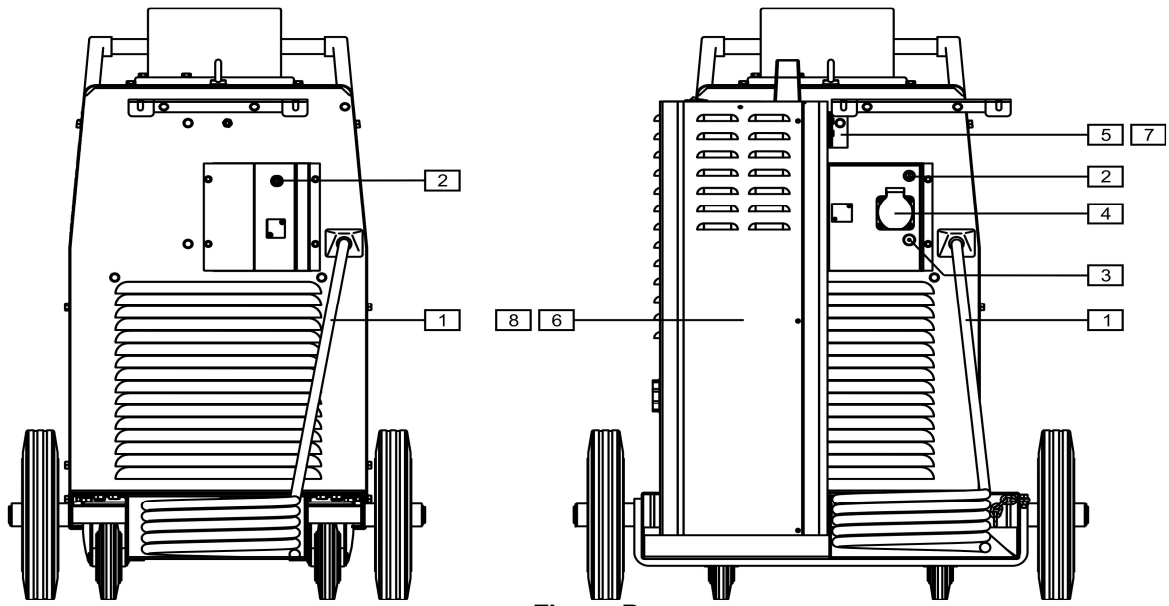


Figure B