

## CODE 50079, 50082, 50088, 50089

ASSEMBLY PAGE NAME			Machine Assembly	Machine Assembly (Rear side)
CODE NO.:	K NO.:	FIGURE NO.:	A	B
50079	K14028-1A	CV 420 AIR	1	1
50088	K14028-1W	CV 420 WATER CA-25	1	2
50080	K14028-2W	CV 420 WATER CA-40	1	3
50082	K14029-1A	CV 505 AIR	2	1
50089	K14029-1W	CV 505 WATER CA-25	2	2
50083	K14029-2W	CV 505 WATER CA-40	2	3

- recommended parts

### Figure A: Machine Assembly

Item	Description	Part Number	QTY	1	2
1	MAIN TRANSFORMER T1	R-4034-005-1R	1	X	-
2	MAIN TRANSFORMER T1	R-4034-006-1R	1	-	X
	TEMPERATURE SENSOR 140°C	1115-769-013R	1	X	X
3	RECTIFIER SET V1	1156-112-003R	1	X	-
4	RECTIFIER SET V1	1156-112-002R	1	-	X
	TEMPERATURE SENSOR 100°C	1115-769-011R	1	X	X
5	CHOKE L1	R-4034-002-1R	1	X	-
6	CHOKE L1	R-4034-014-1R	1	-	X
	TEMPERATURE SENSOR 140°C	1115-769-013R	1	X	-
	TEMPERATURE SENSOR 160°C	1115-769-112R	1	-	X
7	FAN M1	R-8040-055-1R	1	X	X
8	CAPACITORS C1,C2,C3	1158-125-374R	3	X	X
9	SHUNT R2	0941-712-026R	1	X	X
10	RESISTOR R1	1158-112-360R	1	X	X
11	CONDUCTOL-RAIL	R-1010-014-1R	1	X	X
12	CONDUCTOL-RAIL	R-1010-015-1R	1	X	X
13	CONDUCTOL-RAIL	R-1010-016-1R	1	-	X
14	CONDUCTOL-RAIL	R-1010-017-1R	1	X	-
15	CONDUCTOL-RAIL	R-1010-018-1R	1	-	X
16	CONDUCTOL-RAIL	R-1010-019-1R	1	X	-
17	CONDUCTOL-RAIL	R-1010-020-1R	1	X	X
18	DIVIDER PANEL	R-3019-049-1/08R	1	X	X
19	DIVIDER PANEL	R-3019-049-2/08R	1	X	X
20	TURNING WHEEL	1029-660-127R	2	X	X
21	WHEEL	1029-660-250R	2	X	X
22	MAIN SWITCH S1	1115-260-009R	1	X	-
	MAIN SWITCH S1	1115-260-118R	1	-	X
23	SOCKET X2, X3, X4	C-2986-001-3R	3	X	X
24	SOCKET X10	1158-641-130R	1	X	X
25	VOLTMETER POLARITY SWITCH S9	1158-650-023R	1	X	X
26	FRONT DECAL	2719-107-254R	1	X	X
27	FRONT PANEL	R-3019-028-1/08R	1	X	X
28	COVER	R-8040-035-2R	1	X	X
29	LABEL	2719-107-992R	1	X	-
30	LABEL	2719-107-993R	1	-	X
31	SIGNAL LAMP H1	0917-421-041R	1	X	X

32	SIGNAL LAMP H2	0917-421-024R	1	X	X
33	LEFT HOLDER	1362-212-002R	1	X	X
34	LEFT BRACKET (HANDLE)	D-3631-908-1/08R	1	X	X
35	RIGHT HOLDER	1362-212-003R	1	X	X
36	RIGHT BRACKET (HANDLE)	D-3631-908-2/08R	1	X	X
37	LEFT SIDE HANDLE ASSEMBLY + CAP	1362-212-006R	1+1	X	X
		1362-212-004R			
38	RIGHT SIDE HANDLE ASSEMBLY + CAP	1362-212-007R	1+1	X	X
		1362-212-004R			
39	EDGE SHIELD	1362-212-010R	1	X	X
40	HANDLE	0562-230-005R	1	X	X
41	CARRIAGE SUPPORT	1361-598-181R	1	X	X
42	CAPACITORS C5,C6,C7	1158-128-043R	3	X	X
43	CAPACITOR C4	1158-121-001R	1	X	X
44	CONTROL PCB	0918-432-070R	1	X	X
45	GROUND CABLE WITH WORK CLAMP -3m	K14033-1	1	X	X
46	POWER RESISSTOR R3	1158-112-008R	1	X	X
47	DIVIDER PANEL	R-8040-021-1/08R	1	X	X
48	SHELF	R-8040-066-1/08R	1	X	X
49	TERMINAL BLOCK	1361-599-255R	1	X	X
50	LABEL (U,V,W)	2719-107-044R	1	X	X
51	WALL RING	R-3019-030-1/08R	1	X	X
52	SUPPORT	R-8040-034-1/08R	1	X	X
53	BOTTOM	R-8040-080-1/08R	1	X	X
54	TOP PANEL	R-8040-020-1/02R	1	X	X
55	LABEL (WARNING)	2719-107-728R	1	X	X
56	TRAY	R-8040-032-1/08R	1	X	X
57	LEFT SIDE PANEL (not show)	R-8040-019-1/02R	1	X	X
58	LABEL (LEFT SIDE PANEL) (not show)	2719-107-995R	1	X	-
59	LABEL (LEFT SIDE PANEL) (not show)	2719-107-997R	1	-	X
60	RIGHT SIDE PANEL (not show)	R-8040-019-2/02R	1	X	X
61	LABEL (RIGHT SIDE PANEL) (not show)	2719-107-994R	1	X	-
62	LABEL (RIGHT SIDE PANEL) (not show)	2719-107-996R	1	-	X

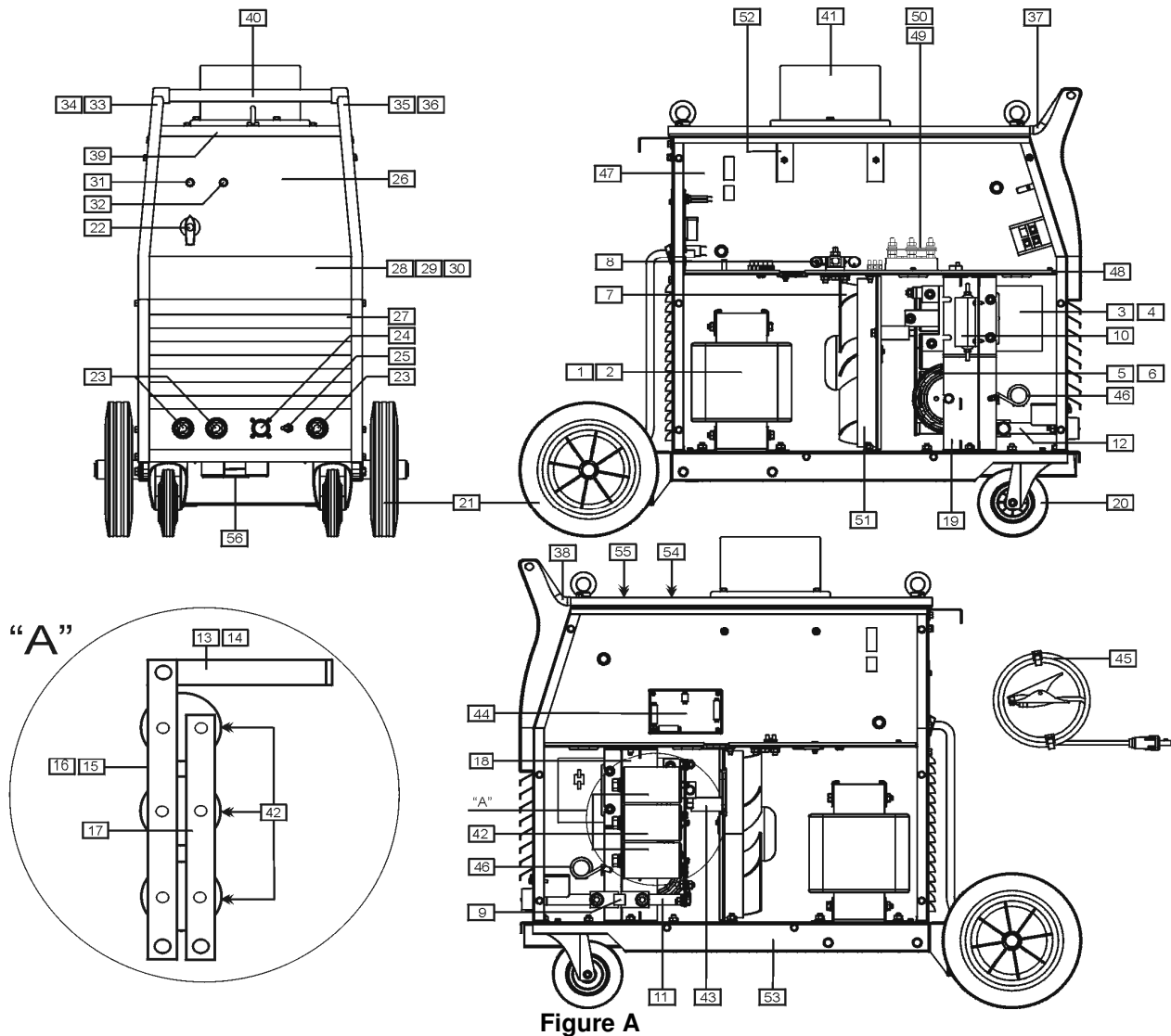


Figure A

Figure B: Machine Assembly (Rear side)

Item	Description	Part Number	QTY	1	2	3
1	REAR PANEL	R-8040-031-1/08R	1	X	X	X
2	MAINS CORD without PLUG -5m (4x6mm <sup>2</sup> )	R-5041-026-1R	1	X	X	X
3	CABLE BOX	1361-599-665R	1	X	X	X
4	CLAMP	1361-599-633R	1	X	X	X
5	FUSE F1 (6,3A, 400V)	1158-660-008R	1	X	X	X
6	FUSE SOCKET	1158-632-032R	1	X	X	X
7	FUSE CAP	1158-632-033R	1	X	X	X
8	HOLE PLUG	1361-599-058R	1	X	X	X
9	CHAIN SUPPORT	C-2631-407-1/08R	1	X	X	X
10	PANEL	D-3721-403-2/08R	1	X	-	-
11	PANEL	R-3019-045-1/08R	1	-	X	X
12	SOCKET X9 (ONLY WATER)	1131-222-004R	1	-	X	X
13	CIRCUIT BREAKER Q1 (ONLY WATER)	1115-299-027R	1	-	X	X
14	SHELF	R-3019-042-1/08R	1	X	-	-
15	SHELF	R-3019-026-1/08R	1	-	X	X
16	COOLER BRACKET CA 25 (ONLY WATER)	D-2632-641-1/33R	1	-	X	-
17	COOLER BRACKET CA 40 (ONLY WATER)	R-1019-040-1R	1	-	-	X
18	WATER COOLER CA 25 (ONLY WATER)	K14037-1	1	-	X	-
19	WATER COOLER CA40 (ONLY WATER)	K2187-2	1	-	-	X

20	WIRING HARNESS (SECONDARY VOLTAGE)	R-7040-034-1R	1	X	X	X
21	WIRING HARNESS (MAIN VOLTAGE)	R-7040-036-1R	1	-	X	X
22	WIRING HARNESS (MAIN VOLTAGE)	R-7040-036-2R	1	X	-	-

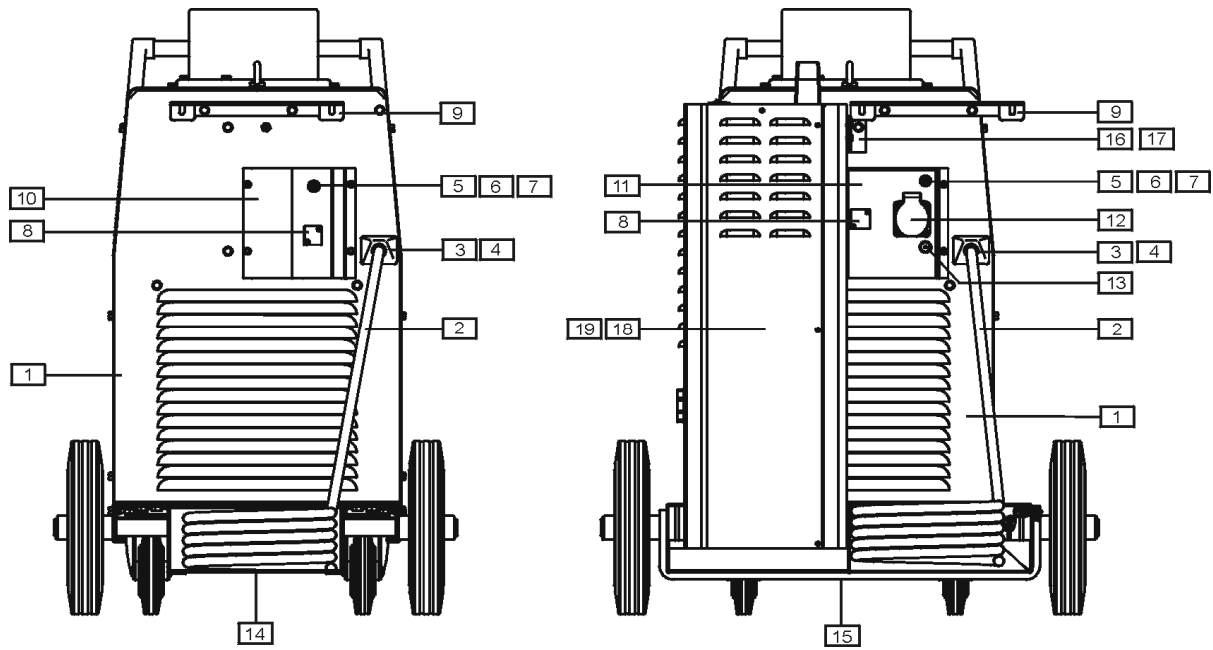


Figure B