

CODE 50039, 50040, 50044, 50047

| ASSEMBLY PAGE NAME | | | Machine Assembly | Machine Assembly (Rear side) |
|-----------------------|-----------|--------------|------------------|---------------------------------|
| CODE NO.: | K NO.: | FIGURE NO.: | A | B |
| 50044 | K14028-1A | CV 420 AIR | 1 | 1 |
| 50039 | K14028-1W | CV 420 WATER | 1 | 2 |
| 50047 | K14029-1A | CV 505 AIR | 2 | 1 |
| 50040 | K14029-1W | CV 505 WATER | 2 | 2 |

Figure A: Machine Assembly

| Item | Description | Part Number | QTY | 1 | 2 |
|------|-------------------------------------|---------------|-----|---|---|
| 1 | MAIN TRANSFORMER T1 | R-4034-005-1R | 1 | X | - |
| 2 | MAIN TRANSFORMER T1 | R-4034-006-1R | 1 | - | X |
| 3 | RECTIFIER SET V1 | 1156-112-145R | 1 | X | - |
| 4 | RECTIFIER SET V1 | 1156-112-039R | 1 | - | X |
| 5 | CHOKE L1 | R-4034-002-1R | 1 | X | - |
| 6 | CHOKE L1 | R-4034-014-1R | 1 | - | X |
| 7 | FAN M1 | 0874-111-003R | 1 | X | X |
| 8 | CAPACITORS C1,C2,C3 | 1158-125-373R | 3 | X | X |
| 9 | SHUNT R2 | 0941-712-026R | 1 | X | X |
| 10 | RESISTOR R1 | 1158-112-360R | 1 | X | X |
| 11 | TURNING WHEEL | 1029-660-127R | 2 | X | X |
| 12 | WHEEL | 1029-660-250R | 2 | X | X |
| 13 | MAIN SWITCH S1 | 1115-260-118R | 1 | X | X |
| 14 | SOCKET X2, X3, X4 | C-2986-001-3R | 3 | X | X |
| 15 | SOCKET X10 | 1158-641-130R | 1 | X | X |
| 16 | VOLTMETER POLARITY SWITCH | 1158-650-023R | 1 | X | X |
| 17 | FRONT DECAL | 2719-107-254R | 1 | X | X |
| 18 | LEFT HOLDER | 1362-212-002R | 1 | X | X |
| 19 | RIGHT HOLDER | 1362-212-003R | 1 | X | X |
| 20 | SIGNAL LAMP H1 | 0917-421-041R | 1 | X | X |
| 21 | SIGNAL LAMP H2 | 0917-421-024R | 1 | X | X |
| 22 | RIGHT SIDE HANDLE ASSEMBLY CAP | 1362-212-007R | 1+1 | X | X |
| | | 1362-212-004R | | | |
| 23 | LEFT SIDE HANDLE ASSEMBLY CAP | 1362-212-006R | 1+1 | X | X |
| | | 1362-212-004R | | | |
| 24 | EDGE SHIELD | 1362-212-010R | 1 | X | X |
| 25 | CARRIAGE SUPPORT | 1361-598-181R | 1 | X | X |
| 26 | HANDLE | 0562-230-005R | 1 | X | X |
| 27 | CAPACITORS C5,C6,C7 | 1158-128-043R | 3 | X | X |
| 28 | CAPACITOR C4 | 1158-121-001R | 1 | X | X |
| 29 | CONTROL PCB | 0918-432-070R | 1 | X | X |
| 30 | GROUND CABLE WITH WORK CLAMP -3m | K14033-1 | 1 | X | X |

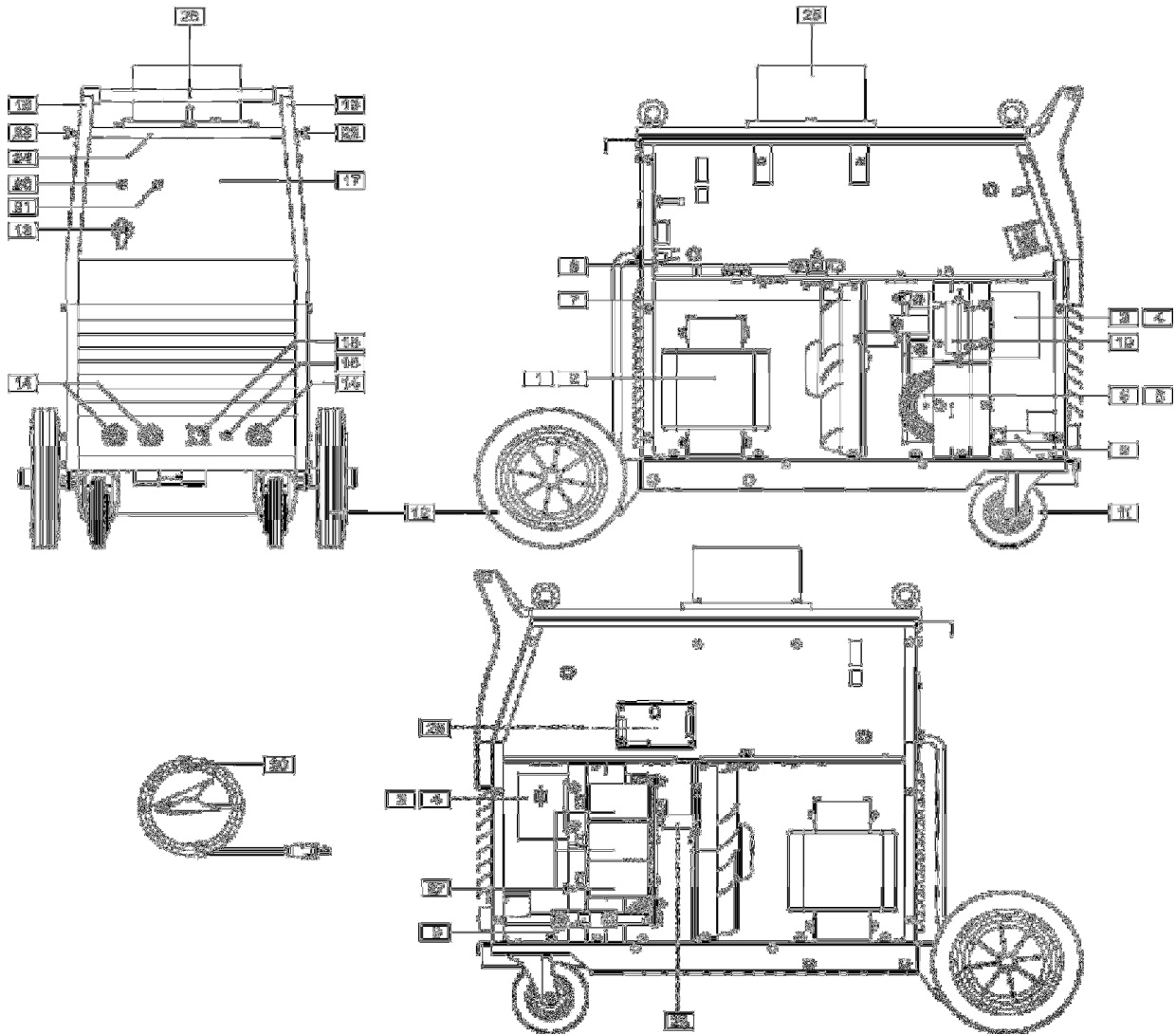


Figure A

Figure B: Machine Assembly (Rear side)

| Item | Description | Part Number | QTY | 1 | 2 |
|------|---|------------------|-----|---|---|
| 1 | MAINS CORD without PLUG -5m (4x6mm ²) | R-5041-026-1R | 1 | X | X |
| 2 | FUSE F1 (6,3A, 400V) | 1158-660-008R | 1 | X | X |
| 3 | CIRCUIT BREAKER Q1 (ONLY WATER) | 1115-299-027R | 1 | - | X |
| 4 | SOCKET X9 (ONLY WATER) | 1131-222-004R | 1 | - | X |
| 5 | COOLER BRACKET (ONLY WATER) | D-2632-641-1/33R | 1 | - | X |
| 6 | WATER COOLER (ONLY WATER) | K10329 | 1 | - | X |

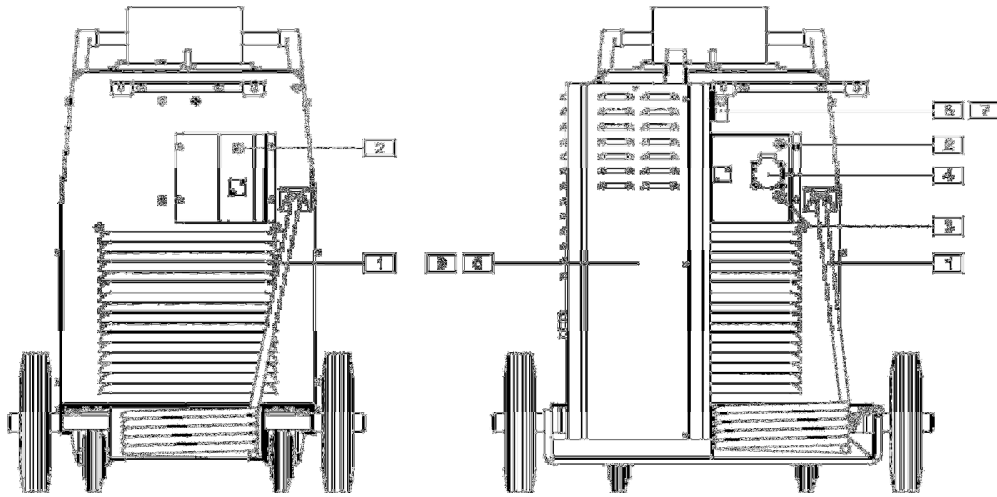


Figure B