

CODE 50056, 50060, 50057, 50059, 50058, 50061, 50065, 50066, 50067

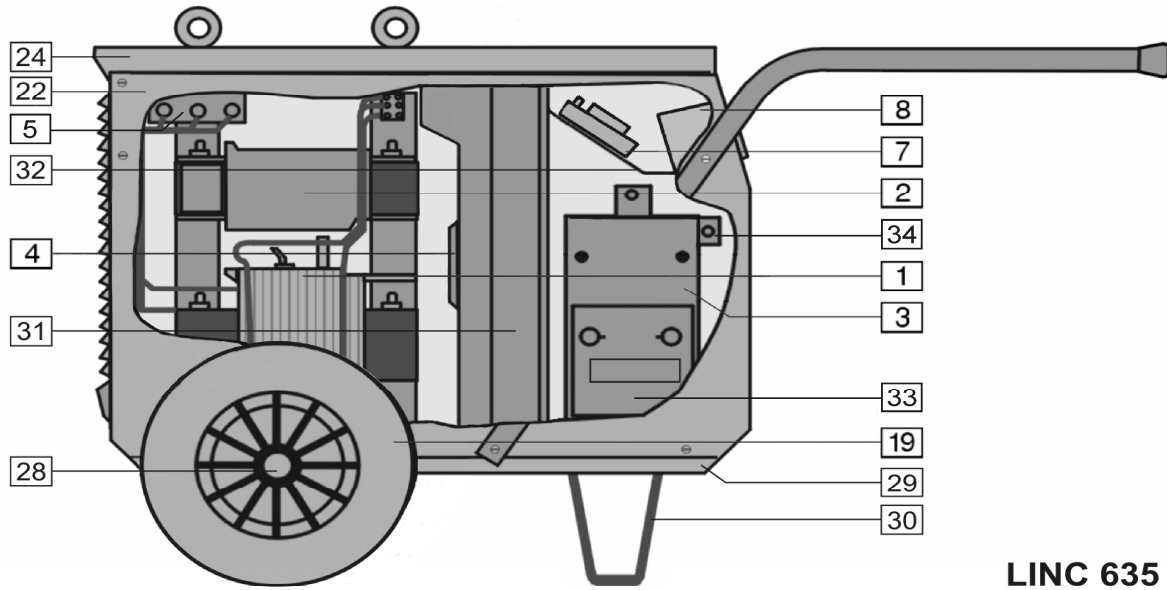
ASSEMBLY PAGE NAME			Machine Assembly	Wire Drive Assembly	Miscellaneous items
CODE NO.:	K NO.:	FIGURE NO.:	A	B	-
50056	K14002-1	LINC 405-SA	1	1	1
50060	K14002-5				
50057	K14002-2	LINC 405-S	2	2	2
50059	K14002-4				
50058	K14002-3	LINC 405-S (no wheels and handles)	3	3	3
50061	K14002-6	LINC 405-S (no wheels and handles, main cable 15m)	4	4	4
50065	K14038-1	LINC 635-SA	5	5	5
50066	K14038-2	LINC 635-S	6	6	6
50067	K14038-3	LINC 635-S (no wheels and handles)	7	7	7

- recommended parts

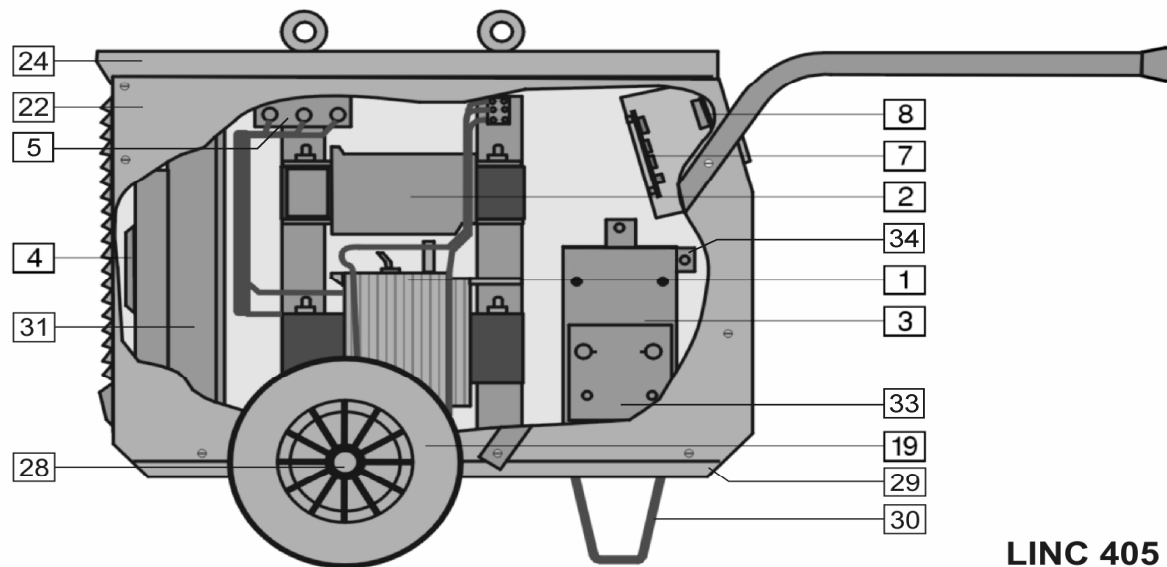
Figure A: Machine assembly

Item	Description	Part Number	QTY	1	2	3	4	5	6	7
1	TRANSFORMER T1	R-4034-017-2R	1	X	X	X	X	-	-	-
	TRANSFORMER T1	R-4034-031-2R	1	-	-	-	-	X	X	X
	TEMPERATURE SENSOR 140 °C	1115-769-013R	1	X	X	X	X	X	X	X
2	CHOKE L1	R-4034-016-2R	1	X	X	X	X	-	-	-
	CHOKE L1	R-4034-042-2R	1	-	-	-	-	X	X	X
	TEMPERATURE SENSOR 140 °C	1115-769-013R	1	X	X	X	X	X	X	X
	TEMPERATURE SENSOR 65 °C	1115-769-053R	1	X	X	X	X	X	X	X
3	RECTIFIER SET V (PTT350D)	R-8040-233-1R	1	X	X	X	X	-	-	-
	RECTIFIER SET V (PTT550D)	R-0010-099-2R	1	-	-	-	-	X	X	X
	TEMPERATURE SENSOR 80 °C	1115-769-016R	1	X	X	X	X	X	X	X
	TEMPERATURE SENSOR 50 °C	1115-769-007R	1	X	X	X	X	X	X	X
4	FAN M1	1111-311-084R	1	X	X	X	X	X	X	X
5	TERMINAL BLOCK	1361-599-255R	1	X	X	X	X	X	X	X
6	SWITCH K3	1158-650-021R	1	X	-	-	-	X	-	-
7	CONTROL CIRCUIT BOARD USM-13.3	0918-432-005R	1	X	X	X	X	-	-	-
	CONTROL CIRCUIT BOARD USM-13.3	0918-432-039R	1	-	-	-	-	X	X	X
8	DIGITAL AMMETER WA/H-400	0918-432-063R	1	X	-	-	-	X	-	-
9	MAIN SWITCH K1 (63A)	1115-260-113R	1	X	X	X	X	-	-	-
	MAIN SWITCH K1 (100A)	1115-260-007R	1	-	-	-	-	X	X	X
10	LAMP H1	0917-421-002R	1	X	X	X	X	X	X	X
11	LAMP H2	0917-421-024R	1	X	X	X	X	X	X	X
12	SWITCH K2	1158-650-023R	1	X	X	X	X	X	X	X
13	SOCKET X3	1158-641-008R	1	X	X	X	X	X	X	X
	CAP-CABLE CONNECTOR	1158-641-128R	1	X	X	X	X	X	X	X
14	SOCKETS X1, X2	C-2986-001-3R	2	X	X	X	X	X	X	X
15	FUSE F1	1158-660-028R	1	X	X	X	X	X	X	X
16	POTENTIOMETER R1, R2, R3	1158-113-304R	3	X	-	-	-	X	-	-
	POTENTIOMETER R1	1158-113-304R	1	-	X	X	X	-	X	X
17	KNOB (Ø38)	9ET10491R	1	X	X	X	X	X	X	X
18	KNOB (Ø25)	9ET13639-3R	2	X	-	-	-	X	-	-
19	WHEEL (Ø250)	1029-660-250R	2	X	X	-	-	-	-	-
	WHEEL (Ø300)	1029-660-010R	2	-	-	-	-	X	X	-

20	REAR PANEL	C-3721-788-1/08R	1	X	X	X	X	-	-	-
	REAR PANEL	R-3019-064-1/08R	1	-	-	-	-	X	X	X
21	FRONT PANEL	R-3019-059-1/08R	1	X	X	X	X	-	-	-
	FRONT PANEL	R-3019-065-1/08R	1	-	-	-	-	X	X	X
22	LEFT SIDE PANEL	C-3721-790-1/02R	1	X	X	X	X	-	-	-
	LEFT SIDE LABEL	2719-107-822R	1	X	X	X	X	-	-	-
	LEFT SIDE PANEL	R-1019-061-1/02R	1	-	-	-	-	X	X	X
	LEFT SIDE LABEL	2719-107-932R	1	-	-	-	-	X	X	X
23	RIGHT SIDE PANEL	C-3721-790-2/02R	1	X	X	X	X	-	-	-
	RIGHT SIDE LABEL	2719-107-818R	1	X	X	X	X	-	-	-
	RIGHT SIDE PANEL	R-1019-061-1/02R	1	-	-	-	-	X	X	X
	RIGHT SIDE LABEL	2719-107-931R	1	-	-	-	-	X	X	X
24	TOP PANEL	C-3773-096-1/02R	1	X	X	X	X	-	-	-
	TOP PANEL	R-1019-062-1/02R	1	-	-	-	-	X	X	X
	LABEL (WARNING)	2719-107-698R	1	X	X	X	X	X	X	X
	LABEL (SCHEMATIC)	2719-107-073R	1	X	X	X	X	-	-	-
	LABEL (SCHEMATIC)	2719-107-735R	1	-	-	-	-	X	X	X
25	CONTROL PANEL	C-3721-795-1/08R	1	X	X	X	X	-	-	-
26	HANDLES	C-4941-778-1R	1	X	X	-	-	X	X	-
27	LABEL	2719-107-821R	1	X	-	-	-	-	-	-
	LABEL	2719-107-934R	1	-	-	-	-	X	-	-
	LABEL	2719-107-820R	1	-	X	X	X	-	-	-
	LABEL	2719-107-933R	1	-	-	-	-	-	X	X
28	AXLE	D-2574-049-1R	1	X	X	-	-	-	-	-
	AXLE	R-1019-078-1R	1	-	-	-	-	X	X	-
29	BOTTOM PANEL	R-3019-061-1/08R	1	X	X	X	X	-	-	-
	BOTTOM PANEL	R-3019-068-1/08R	1	-	-	-	-	X	X	X
30	SUPPORT	C-2631-397-1/08R	2	X	X	-	-	-	-	-
	SUPPORT	R-1019-063-1/08R	2	-	-	-	-	X	X	-
31	WALL RING	R-3019-062-1/08R	1	X	X	X	X	-	-	-
	WALL RING	R-3019-070-1/08R	1	-	-	-	-	X	X	X
32	SHELF	R-1019-056-1/08R	1	-	-	-	-	X	X	X
33	BRACKET	D-2632-603-1/08R	2	X	X	X	X	-	-	-
	BRACKET	R-1019-055-2/08R	2	-	-	-	-	X	X	X
34	SHUNT	D-5311-019-1R	1	X	X	X	X	-	-	-
	SHUNT	0941-712-026R	1	-	-	-	-	X	X	X
35	LABEL	2719-107-195R	1	X	-	-	-	X	-	-
36	LABEL (COMPLETE)	2719-107-694R	1	X	X	X	X	X	X	X
37	CABLE BOX	1361-599-665R	1	X	X	X	X	-	-	-
	CABLE BOX	1361-599-250R	1	-	-	-	-	X	X	X



LINC 635



LINC 405

Figure A

Miscellaneous items (not showed in figure A & B)

Item	Description	Part Number	QTY	1	2	3	4	5	6	7
	CAPACITOR C4	1158-121-000R	1	X	X	X	X	X	X	X
	CAPACITORS C1, C2, C3	1158-125-373R	3	X	X	X	X	X	X	X
	MAINS CABLE WITHOUT PLUG 5m	R-5041-041-1R	1	X	X	X	-	-	-	-
	MAINS CABLE WITHOUT PLUG 15m	R-5041-041-2R	1	-	-	-	X	-	-	-
	MAINS CABLE WITHOUT PLUG 5m	R-5041-064-1R	1	-	-	-	-	X	X	X
	SKID	D-3721-409-1/08R	2	-	-	X	X	-	-	X
	WIRING HARNESS	R-7040-161-1R	1	X	X	X	X	-	-	-
	WIRING HARNESS	R-7040-199-1R	1	-	-	-	-	X	X	X
	PCB WIRING HARNESS	R-7040-162-1R	1	X	-	-	-	-	-	-
	PCB WIRING HARNESS	R-7040-162-2R	1	-	X	X	X	-	-	-
	PCB WIRING HARNESS	R-7040-200-1R	1	-	-	-	-	X	-	-
	PCB WIRING HARNESS	R-7040-200-2R	1	-	-	-	-	-	X	X

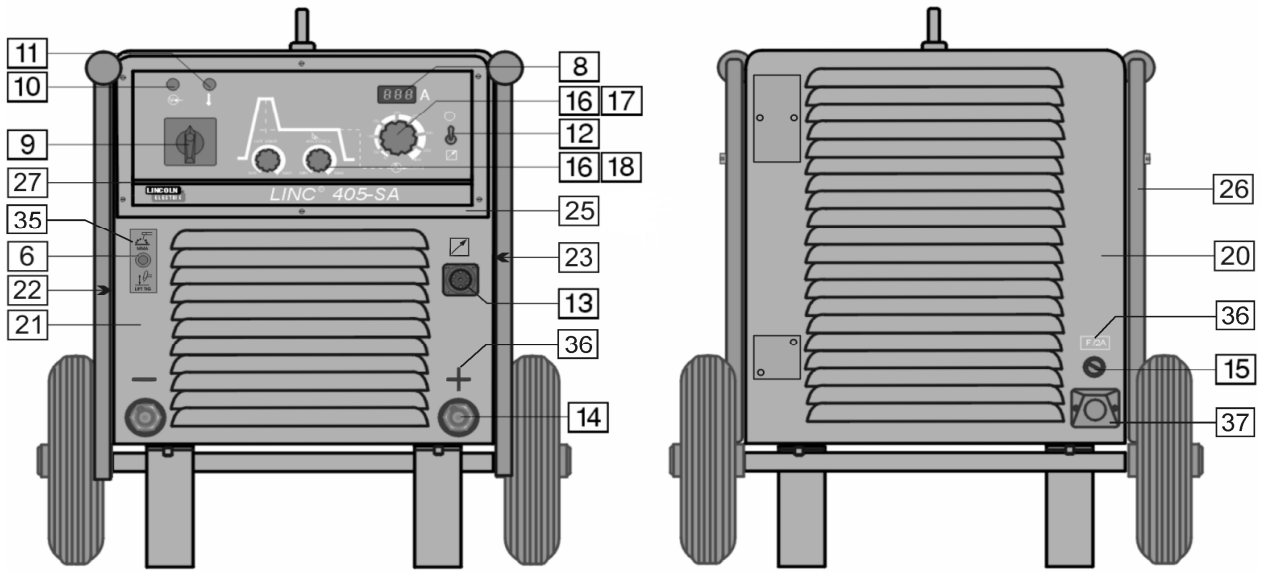


Figure B