

CODE 1103

ASSEMBLY PAGE NAME			Machine Assembly
CODE NO.:	B NO.:	FIGURE NO.:	A
1103	B18326-1	SPF 405 SA	1

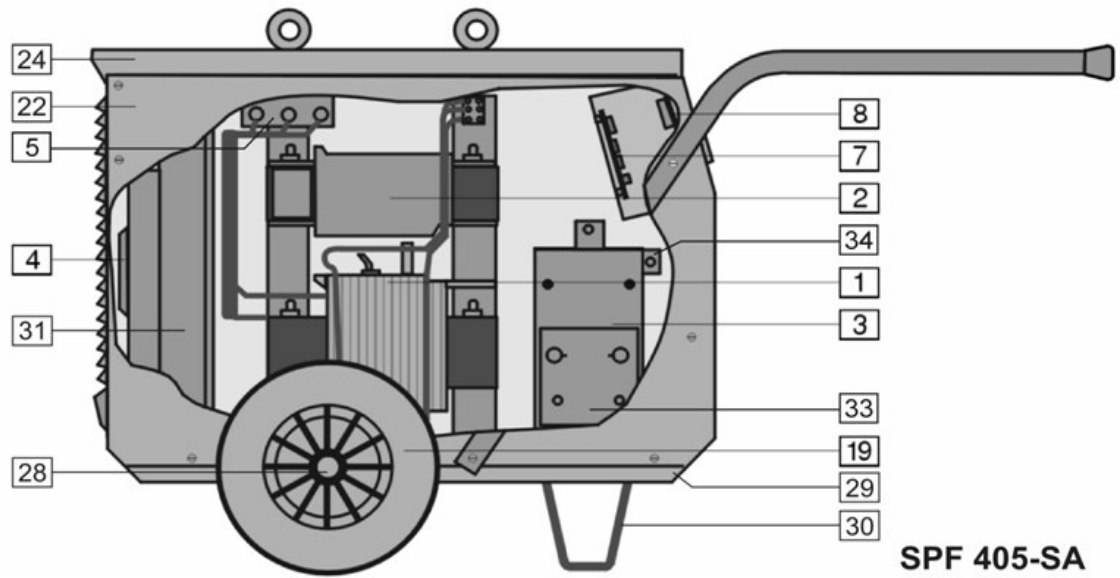
Figure A : Machine Assembly

Item	Description	Part Number	QTY	1
1	TRANSFORMER T1	R-4034-017-2R	1	X
	TEMPERATURE SENSOR 140°C	1115-769-013R	1	X
2	CHOKE L1	R-4034-016-2R	1	X
	TEMPERATURE SENSOR 140°C	1115-769-013R	1	X
	TEMPERATURE SENSOR 65°C	1115-769-053R	1	X
3	RECTIFIER SET V (PTT350D)	R-8040-233-1R	1	X
	TEMPERATURE SENSOR 80°C	1115-769-016R	1	X
	TEMPERATURE SENSOR 50°C	1115-769-007R	1	X
4	FAN M1	1111-311-084R	1	X
5	TERMINAL BLOCK	1361-599-255R	1	X
6	SWITCH K3	1158-650-021R	1	X
7	CONTROL CIRCUIT BOARD USM-13.3	0918-432-005R	1	X
8	DIGITAL AMMETER WA/H-400	0918-432-063R	1	X
9	MAIN SWITCH K1 (63A)	1115-260-113R	1	X
10	LAMP H1	0917-421-002R	1	X
11	LAMP H2	0917-421-024R	1	X
12	SWITCH K2	1158-650-023R	1	X
13	SOCKET X3	1158-641-008R	1	X
	CAP-CABLE CONNECTOR	1158-641-128R	1	X
14	SOCKETS X1, X2	C-2986-001-3R	2	X
15	FUSE F1	1158-660-028R	1	X
16	POTENTIOMETER R1, R2, R3	1158-113-304R	3	X
17	KNOB (Ø38)	9ET10491R	1	X
18	KNOB (Ø25)	9ET13639-3R	2	X
19	WHEEL (Ø250)	1029-660-250R	2	X
20	REAR PANEL	C-3721-788-1/08R	1	X
21	FRONT PANEL	R-3019-059-1/08R	1	X
22	LEFT SIDE PANEL	R-3019-048-1R	1	X
23	RIGHT SIDE PANEL	R-3019-048-2R	1	X
24	TOP PANEL	C-3773-096-1/02R	1	X
	LABEL (WARNING)	2719-107-698R	1	X
	LABEL (SCHEMATIC)	2719-107-073R	1	X
25	CONTROL PANEL	C-3721-795-1/08R	1	X
26	HANDLES	C-4941-778-1R	1	X
27	LABEL	2719-107-341R	1	X
28	AXLE	D-2574-049-1R	1	X
29	BOTTOM PANEL	R-3019-061-1/08R	1	X

30	SUPPORT	C-2631-397-1/08R	2	X
31	WALL RING	R-3019-062-1/08R	1	X
33	BRACKET	D-2632-603-1/08R	2	X
34	SHUNT	D-5311-019-1R	1	X
35	LABEL	2719-107-195R	1	X
36	LABEL (COMPLETE)	2719-107-694R	1	X
37	CABLE BOX	1361-599-665R	1	X

Miscellaneous Items (not showed in figure A)

Item	Description	Part Number	QTY	1
	CAPACITOR C4	1158-121-000R	1	X
	CAPACITORS C1, C2, C3	1158-125-373R	3	X
	MAINS CABLE WITHOUT PLUG 5m	R-5041-041-1R	1	X
	WIRING HARNESS	R-7040-161-1R	1	X
	PCB WIRING HARNESS	R-7040-162-1R	1	X



SPF 405-SA

