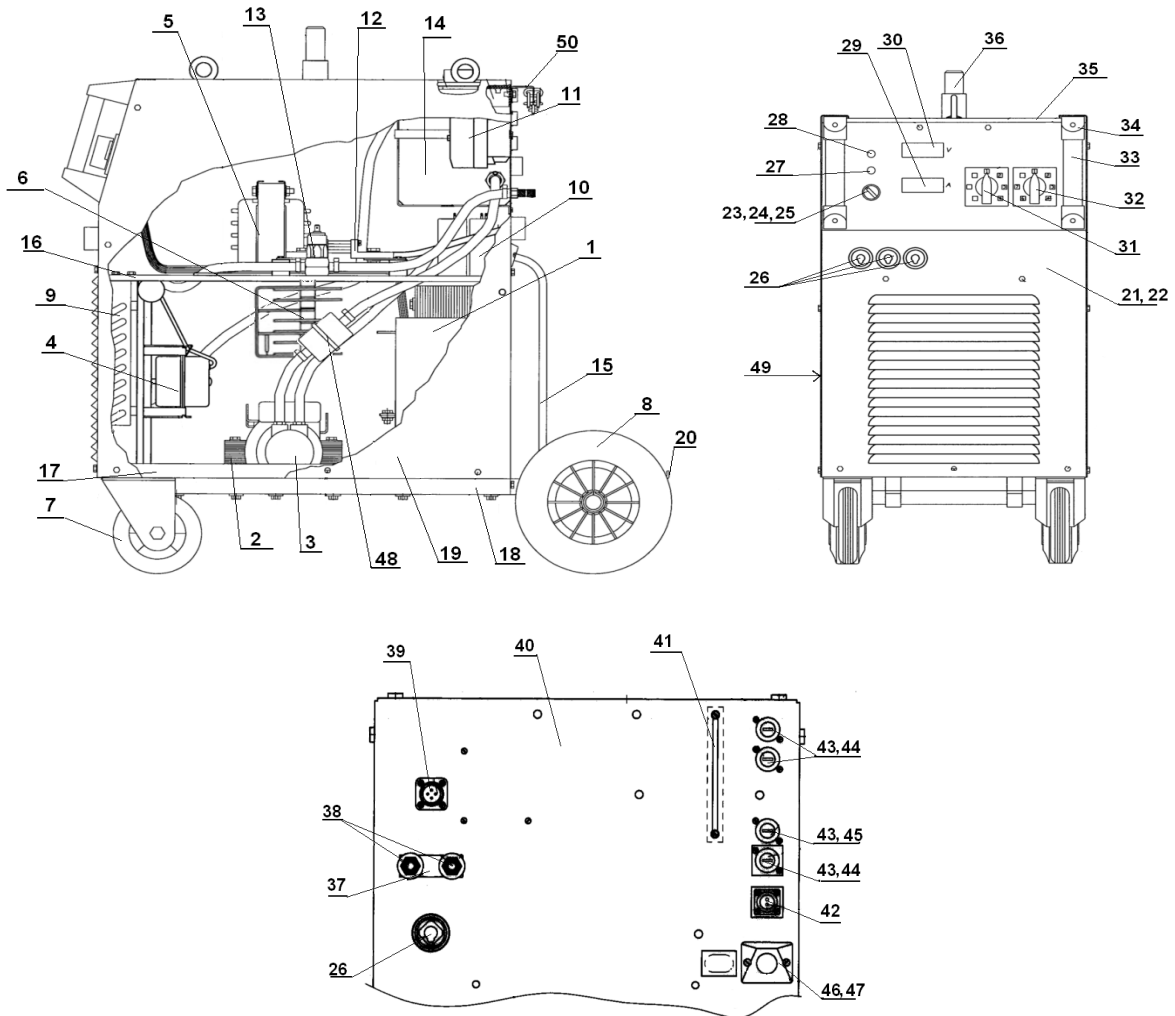


MAGSTER 351, 351W

ASSEMBLY PAGE NAME			Machine Assembly
CODE NO.:	K NO.:	FIGURE NO.:	
1041	B18023-1	MAGSTER 351	1
1042	B18024-1	MAGSTER 351 W	2



POS.	DESCRIPTION	ITEM NUMBER	Qty	1	2
1	Main transformer T1	C-4247-078-1R	1	X	X
	Temperature sensor 120°C	1115-769-124R	1	X	X
2	Choke L	C-4244-298-1R	1	X	X
	Temperature sensor 120°C	1115-769-124R	1	X	X
3	Pump KN-23-3	0871-100-003R	1	—	X
4	Fan motor	D-4721-006-2R	1	X	X
	Blade	1362-210-005R	1	X	X
5	Auxiliary transformer T2	C-4244-296-2R	1	X	X
6	Rectifying set V1	D-4639-029-1R	1	X	X
	Temperature sensor 115°C	1115-769-008R	1	X	X
7	Turning Wheel SCP140	1029-660-141R	2	X	X
8	Rear Wheel SC250	1029-660-250R	2	X	X
9	Radiator	0871-100-006R	1	—	X
10	Capacitors C1-C3	1158-121-010R	3	X	X

11	Contactora CI-25 42V	1115-212-202R	1	X	X
12	Shunt 400A 60mV	0941-712-026R	1	X	X
13	Presure pick-up sensor	0943-719-004R	1	—	X
14	Reservoir assembly	C-2782-011-2R	1	—	X
15	Main cable	D-5578-066-1R	1	X	X
16	Shelf	D-3631-890-1/08R	1	X	X
17	Bottom panel	B-2774-026-1/08R	1	X	X
18	Axis	D-4739-006-1/08R	1	X	X
19	Left said panel	C-2722-222-1R	1	X	X
20	Shelf	C-2722-096-1/08R	1	X	X
21	Front panel MAGSTER 351	C-2722-219-1R	1	X	—
22	Front panel MAGSTER 351 W	C-2722-218-1R	1	—	X
23	Main switch S3	1115-299-095R	1	X	X
24	connector with short-circuit channel	1115-299-101R	1	X	X
25	connector with short-circuit channel	1115-299-102R	1	X	X
26	Socket X1, X2, X3, X4	C-2986-001-3R	4	X	X
27	Lamp	0917-421-041R	1	X	X
28	Lamp	0917-421-043R	1	X	X
29	Digital ammeter	0918-432-063R	1	X	X
30	Digital voltmeter	0918-432-062R	1	X	X
31	Switch ŁK40/5.85	1115-260-116R	1	X	X
32	Switch ŁK40/6.87	1115-260-115R	1	X	X
33	Handle	D-2687-153-2R	2	X	X
34	Handle	D-2687-154-1R	4	X	X
35	Top panel	C-3721-717-1/08R	1	X	X
36	Wire feeder axle	D-3721-310-1/08R	1	X	X
37	Hole plug	D-2721-936-1/08R	1	X	—
38	Quick connect coupling	0744-000-150R	2	—	X
39	Control socket	1158-641-033R	1	X	X
40	Rear panel	C-2722-231-1R	1	X	X
41	Hole plug	D-2721-937-4/08R	1	X	—
42	Heater socket X5	1158-641-003R	1	X	X
43	Fuse socket	1158-632-009R	4	X	X
44	Fuse F4/L/250V	1158-660-037R	3	X	X
45	Fuse F6,3/L/250V	1158-660-040R	1	X	X
46	Cable box	1361-599-665R	1	X	X
47	Clamp	1361-599-633R	1	X	X
48	Solution filter	1029-698-010R	1	—	X
49	Right side panel	C-2722-222-2R	1	X	X
50	Chain support	C-2631-242-2/08R	1	X	X
51	Wiring harness	B-7639-367-1R	1	X	—
52	Wiring harness	B-7639-367-2R	1	—	X