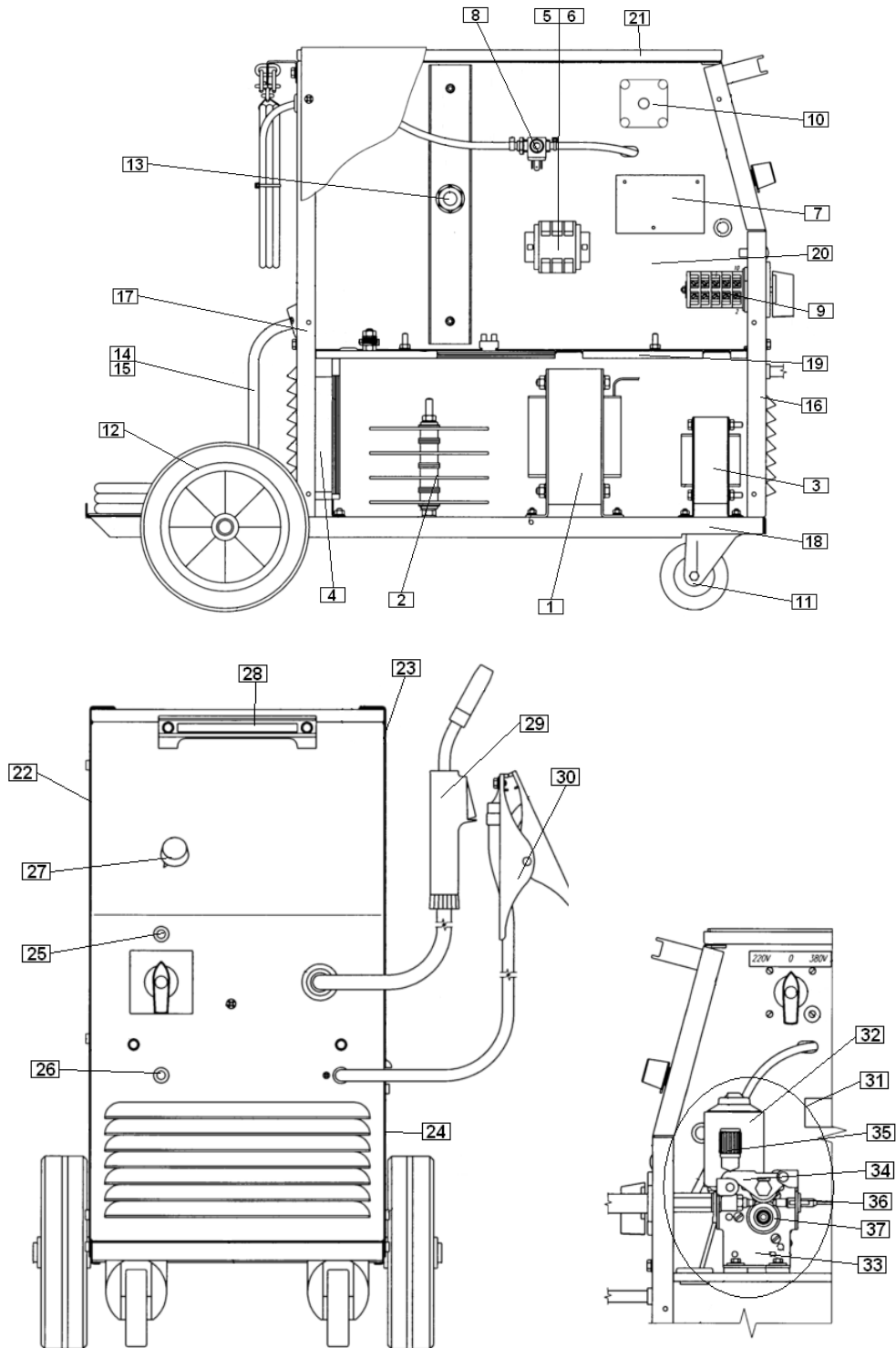


CODE 1006 (MP)

ASSEMBLY PAGE NAME			Machine Assembly
CODE NO.: 1006	B NO.: B18074-1	FIGURE NO.: MAGPOWER 1800	A 1



Pos.	Description	Item Number	Q-ty	1
1	Main transformer	C-4244-308-2R	1	X
1	Temperature sensor 105°C	1115-769-027R	1	X
2	Rectifier set V1	R-0010-405-1R	1	X
3	Choke	B-4244-023-2R	1	X
4	Fan	0873-100-092R	1	X
5	Contactor	1115-212-204R	1	X
6	Auxiliary contact	1115-212-206R	1	X
7	Control PCB	0918-432-076R	1	X
8	Solenoid valve	0972-423-004R	1	X
9	Switch	1115-260-122R	1	X
10	Switch	1115-260-185R	1	X
11	Turning wheel	1029-660-080R	2	X
12	Wheel	1029-660-200R	2	X
13	Sleeve	C-3891-001-1R	1	X
14	Main cable	D-5578-122-2R	1	X
15	Adaptor	D-5578-096-1R	1	X
16	Front panel	R-1019-024-3R	1	X
17	Rear panel	C-3721-767-1/08R	1	X
18	Bottom panel	D-3774-027-1/08R	1	X
19	Shelf	C-3721-707-1/08R	1	X
20	Divider panel	D-3721-377-1/08R	1	X
21	Top panel	D-3773-019-3/08R	1	X
22	Left side panel	D-2721-870-2R	1	X
23	Right side panel	D-2721-870-1R	1	X
24	Right side panel	D-3721-373-4/02R	1	X
25	Lamp	0917-421-041R	1	X
26	Lamp	0917-421-043R	1	X
27	Knob	1158-910-025R	1	X
28	Handle	1361-599-600R	1	X
29	Torch	K10413-14D	1	X
30	Ground cable with clamp	D-5578-049-5R	1	X
31	Wire feeder unit	B-6713-009-2R	1	X
32	Motor	1111-722-045R	1	X
33	Feed plate	C-2774-081-2/08R	1	X
34	Pressure arm cpl.	D-4732-003-1R	1	X
35	Fixing arm	D-2535-012-1R	1	X
36	Inlet guide	1361-599-397R	1	X
37	Drive roll	BP10083-1	1	X