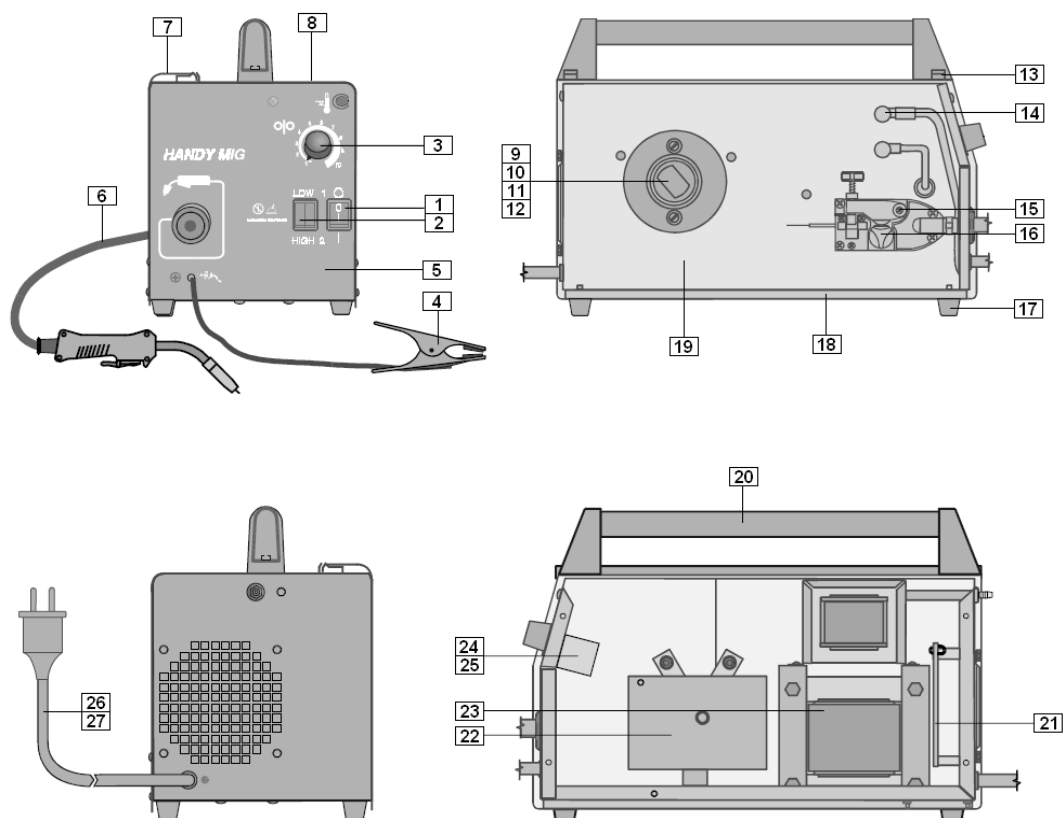


CODE 50000, 50006, 50001, 50008

ASSEMBLY PAGE NAME			Machine Assembly
CODE NO.:	K NO.:	FIGURE NO.:	A
50000	K14000-1	HANDY MIG CE	1
50006	K14000-2	HANDY MIG CE UK	2
50001	K14001-1	HANDY CORE CE	3
50008	K14001-2	HANDY CORE CE UK	4


FIGURE A: Machine assembly

Item	Description	part number	QTY	1	2	3	4
1	MAIN SWITCH	1115-270-005R	1	X	X	X	X
2	HEAT RANGE SWITCH	1115-270-065R	1	X	X	X	X
3	WIRE FEED SPEED KNOB	1158-910-043R	1	X	X	X	X
4	WELDING CABLE WITH CLAMP	C-5578-026-6R	1	X	X	X	X
5	LABEL	2719-107-064R	1	X	X	-	-
	LABEL	2719-107-591R	1	-	-	X	X
6	TORCH RV13/1 2,5M	B10242-1	1	X	X	-	-
	TORCH RC13 2,5M	B10241-2	1	-	-	X	X
7	LEFT SIDE PANEL WITH LABEL	D-3773-039-2R	1	X	X	X	X
	LABEL LOGO	2719-107-594R	1	X	X	X	X
8	RIGHT SIDE PANEL WITH LABEL	C-3773-093-2R	1	X	X	X	X
	LABEL LOGO	2719-107-594R	1	X	X	X	X
	LABEL SCHEMATIC	2719-107-585R	1	X	X	-	-
	LABEL SCHEMATIC	2719-107-669R	1	-	-	X	X
9	SPINDLE	1361-599-326R	1	X	X	X	X
10	SPOOL SPACER	1361-599-327R	1	X	X	X	X
11	SPOOL LOCK	1361-599-325R	1	X	X	X	X

12	SPRING	0652-621-017R	1	X	X	X	X
13	HINGE	D-4736-006-1R	2	X	X	X	X
14	POLARITY THUMBSCREW	D-2846-026-1R	2	X	X	-	-
15	FEEDING UNIT	0744-000-032R	1	X	X	X	X
16	ROLL V0.6/VK0.9	BP10131-1	1	X	X	-	-
	ROLL VK0.9/VK 0.9	BP10100-1	1	-	-	X	X
17	FOOT	1373-184-009R	4	X	X	X	X
18	BOTTOM PANEL	D-3773-040-1/08R	1	X	X	X	X
19	DIVIDER PANEL	D-3721-397-1/08R	1	X	X	-	-
	DIVIDER PANEL	D-3721-397-2/08R	1	-	-	X	X
20	HANDLE	D-3687-070-1R	1	X	X	X	X
21	FAN	0873-100-093R	1	X	X	X	X
22	RECTIFIER SET	1156-112-021R	1	X	X	X	X
23	POWER SET	D-4639-045-1R	1	X	X	X	X
24	CONTROL P.C. BOARD US-66	0918-432-080R	1	X	X	X	X
25	CONTACTOR	1115-212-104R	1	X	X	X	X
26	POWER INPUT CABLE	D-5578-165-1R	1	X	-	X	-
27	POWER INPUT CABLE	D-5578-164-1R	1	-	X	-	X
28	HARNESS	C-7639-315-1R	1	X	X	-	-
29	HARNESS	C-7639-315-2R	1	-	-	X	X

Accessories

1361-410-005R	Gas Hose only for Handy Mig 2,5m
BP10034-1	GaS Nozzle only for Handy Mig
BP10035-1	Flux Nozzle (Gasless)
BP10000-1	Contact Tip 0.6 mm only for Handy Mig
BP10027-1	Contact Tip 0.9 mm
CAV000081R	Chipping Hammer/Brush
0657-229-003R	Hand Shield
0744-180-047R	Filter Lens
0744-180-046R	Clear Cover Lens
B10283-1	Innershield Cored Wire 0.9