

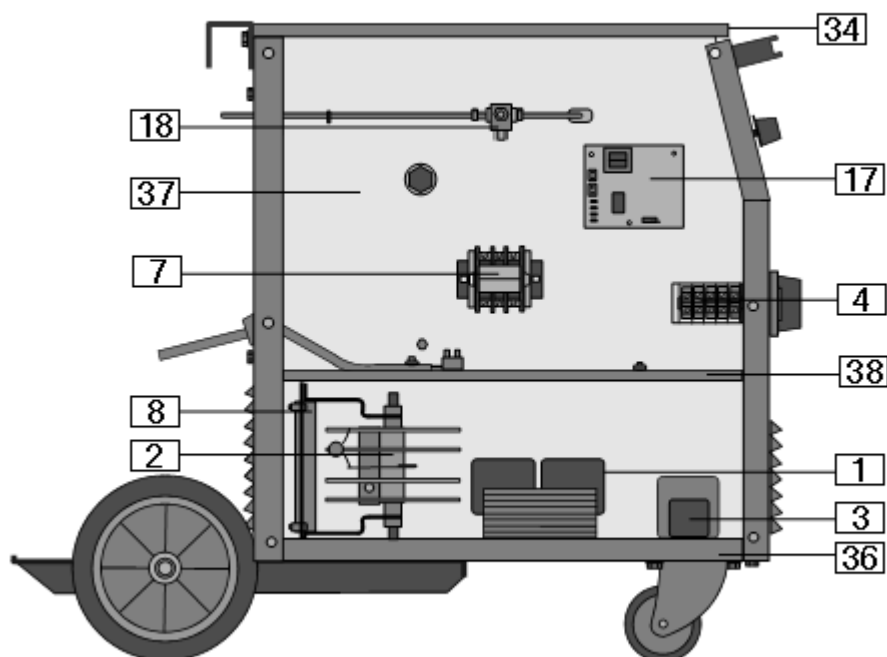
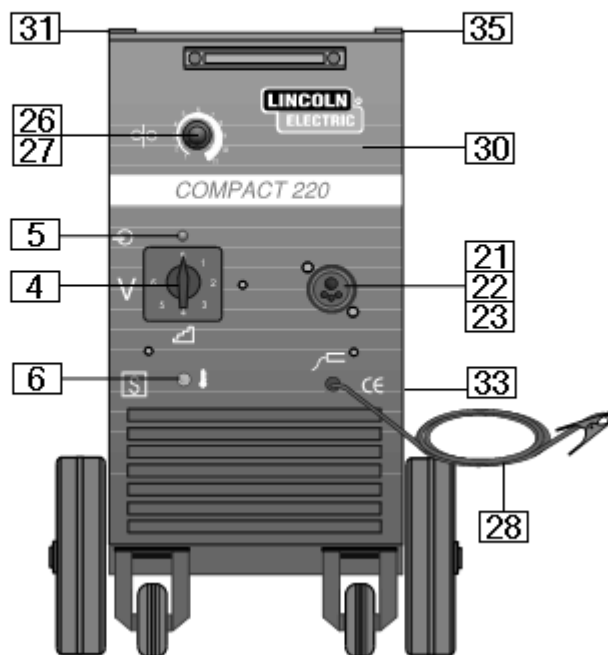
## CODE 1096

| ASSEMBLY<br>PAGE NAME |               |                    | Machine<br>Assembly |
|-----------------------|---------------|--------------------|---------------------|
| <b>CODE NO.:</b>      | <b>K NO.:</b> | <b>FIGURE NO.:</b> | <b>A</b>            |
| 1096                  | K10315-1      | COPPACT 220        | 1                   |

| Pos. | Description                | Type                        | Index            | Qty |
|------|----------------------------|-----------------------------|------------------|-----|
| 1    | main transformer T         |                             | C-4244-329-2R    | 1   |
| 2    | rectifying set V           |                             | D-4639-030-1R    | 1   |
|      | Temperature sensor         | CZOT AO2\96-103             | 1115-769-087R    | 1   |
| 3    | inductor L                 |                             | C-4244-330-1R    | 1   |
| 4    | switch S1                  | ŁK 25/5.87 S                | 1115-260-066R    | 1   |
| 5    | lamp H1                    | LS3P1                       | 0917-421-041R    | 1   |
| 6    | lamp H2                    | LS3N1 with yellow diode     | 0917-421-043R    | 1   |
| 7    | contactor K                | CI 16 220-230V              | 1115-212-211R    | 1   |
|      | auxiliary contact block    | CB-NC                       | 1115-212-206R    | 1   |
| 8    | fan motor M1               | MEZAXIAL 3141               | 0873-100-092R    | 1   |
| 9    | wheel                      | FI 200                      | 1029-660-200R    | 2   |
| 10   | turning wheel              | SCP80                       | 1029-660-080R    | 2   |
| 11   | feeding unit               |                             | B-6713-009-1R    | 1   |
| 12   | motor                      |                             | 1111-722-045R    | 1   |
| 13   | fixing arm                 |                             | D-2535-012-1R    | 1   |
| 14   | pressure arm               |                             | D-4732-003-1R    | 1   |
| 15   | inlet guide                |                             | 1361-599-397R    | 1   |
| 16   | feed plate                 |                             | C-2774-081-1R    | 1   |
| 17   | control circuit            | US-45S                      | 0918-432-076R    | 1   |
| 18   | gas valve                  | ELRA 5536,230V              | 0972-423-004R    | 1   |
| 19   | active roll V              | V0.6-0.8-1.0-1.2            | BP10084-1        | 1   |
| 19a  | ring                       |                             | 1361-599-364R    | 1   |
| 20   | active roll U/Al./         | U0.8-1.0-1.2-1.6            | BP10115-1        | 1   |
| 20a  | ring                       |                             | 1361-599-646R    | 1   |
| 21   | EURO socket                |                             | C-2985-005-5R    | 1   |
| 22   | outlet guide               |                             | D-1829-066-1R    | 1   |
| 23   | Euro cover                 |                             | 1361-599-708R    | 1   |
| 24   | sleeve                     |                             | C-3891-001-1R    | 1   |
| 25   | mains cable                |                             | D-5578-094-2R    | 1   |
| 26   | potentiometer              | P162KC 10KA 20%KCF1<br>6x16 | 1158-113-005R    | 1   |
| 27   | knob                       |                             | 1158-910-025R    | 1   |
| 28   | return cable               |                             | D-5578-049-2R    | 1   |
| 29   | lower shelf                |                             | D-3721-319-1/08R | 1   |
| 30   | front panel with label, S  |                             | D-3721-343-2R    | 1   |
| 31   | left side panel with label |                             | D-2721-966-1R    | 1   |
|      | label                      |                             | 2719-107-234R    | 1   |
| 32   | rear panel                 |                             | D-3721-326-1/08R | 1   |
| 33   | side panel                 |                             | D-2721-884-2/33R | 1   |
| 34   | top panel                  |                             | C-2773-084-1/08R | 1   |
| 35   | side panel with label      |                             | D-2721-965-1R    | 1   |

|    |               |  |                  |   |
|----|---------------|--|------------------|---|
|    | label         |  | 2719-107-234R    | 1 |
| 36 | base          |  | C-2774-087-1/08R | 1 |
| 37 | divider panel |  | D-3721-325-1/08R | 1 |
| 38 | shelf         |  | C-2722-080-1/08R | 1 |
| 37 | harness       |  | B-7639-377-1R    | 1 |

### Spare parts list of the welding machine Compact 220



Spare parts list cd.

