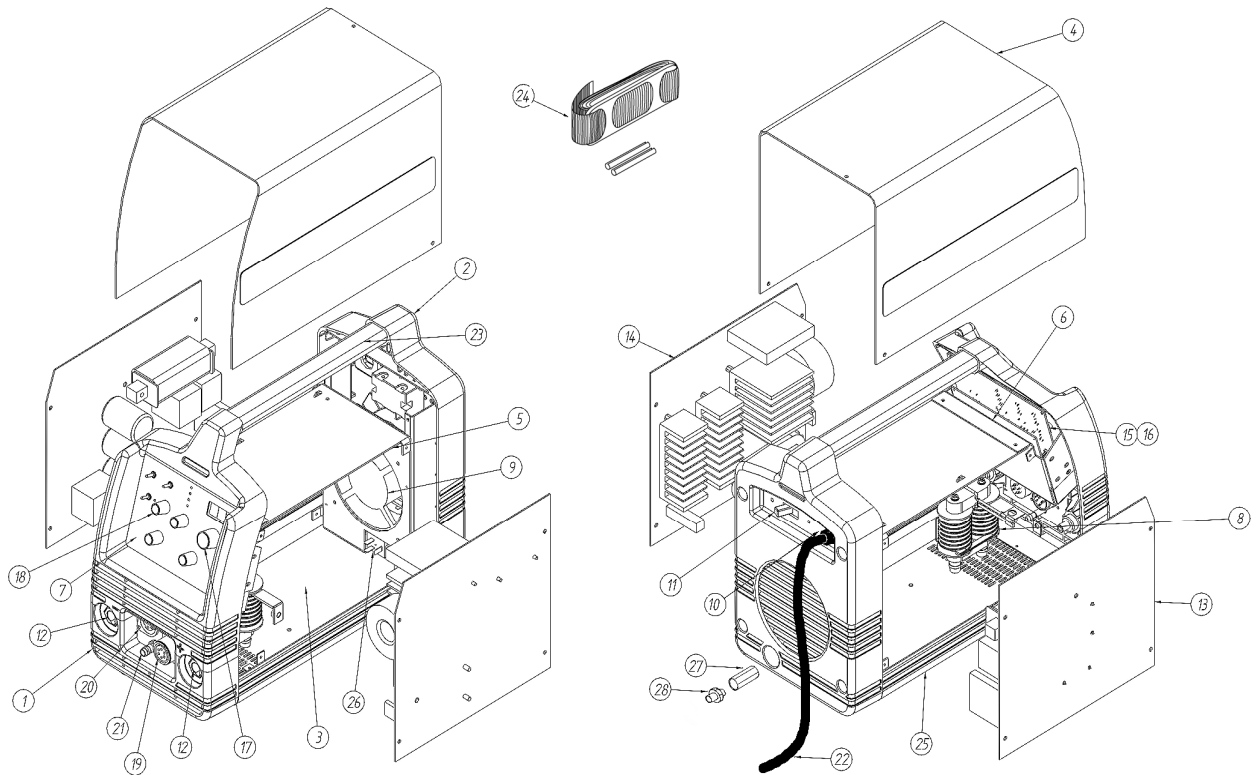


## CODE 52000, 52001, 52002

ASSEMBLY PAGE NAME		Machine Assembly
CODE NO.:	FIGURE NO.:	
52000	V160-S	1
52001	V160-T	2
52002	V160-TP	3

**Figure A: Machine Assembly**

Item	Description	Part Number	QTY	1	2	3
1	FRONT PANEL	W95X0222R	1	X	X	X
2	REAR PANEL	W95X0223R	1	X	X	X
3	BASE	W93X0376R	1	X	X	X
4	WRAPAROUND	W93X0243R	1	X	X	X
5	CENTER PANEL / BACK PANEL	W93X0377R	1	X	X	X
6	CONTROL BOX	W93X0378R	1	X	X	X
7	CONTROL PANEL	W93X0246R	1	X	•	•
7	CONTROL PANEL	W93X0244R	1	•	X	X
8	HF TRANSFORMER	W59X0019R	1	•	X	X
9	FAN	W7200003R	1	X	X	X
10	INPUT CABLE CLAMP	W8400006R	1	X	X	X
11	INPUT SWITCH	W7500012R	1	X	X	X
12	DINSE CONNECTOR	W7600031R	2	X	X	X
13	INPUT P.C. BOARD	W05X0249R	1	X	•	•
13	INPUT P.C. BOARD	W05X0187R	1	•	X	X
14	INVERTER P.C. BOARD	W05X0190R	1	X	X	X
15	DISPLAY P.C. BOARD STICK	W05X0371R	1	X	•	•
15	DISPLAY P.C. BOARD TIG	W05X0385R	1	•	X	•
15	DISPLAY P.C. BOARD TIG PULSE	W05X0370R	1	•	•	X
16	CONTROL P.C. BOARD	W05X0233R	1	X	X	X
17	KNOB (LARGE)	W8700022R	1	X	X	X
18	KNOB (SMALL)	W8700016R	1	X	•	•
18	KNOB (SMALL)	W8700016R	4	•	X	X
19	REMOTE P.C. BOARD	W05X0322R	1	•	X	X
20	TRIGGER CONNECTOR	W6100315R	1	•	X	X
21	FEMALE QUICK CONNECT GAS CONNECTOR	W8800071R	1	•	X	X
22	INPUT CORD EUROPE	W78X0248R	1	X	X	X
23	HANDLE	W92X0228-1R	1	X	X	X
24	CARRYING STRAP	W92X0264R	1	X	X	X
25	SIDE RAIL	W95X0224R	2	X	X	X
26	GAS SOLENOID	W8500004R	1	•	X	X
27	GAS INLET CONNECTOR	W89X0205R	1	•	X	X
28	GAS INLET ADAPTER FOR EUROPE	W8895221R	1	•	X	X



**Figure A**