

Spare Parts List

**Wire feeder systems for MIG equipment
manufactured by Lincoln Electric Bester S. A.**

Edition 2008May ver01
Prepared by Mariusz Barszczowski

WIRE FEEDER	MACHINE ITEM	MACHINE	CODE	ROLL	WIRE	ITEM NUMBER	Q-TY	
0744-000-163R 0646-231-018R	B18021-1	MAGSTER 350C	1040	Ø40	U 0.6-0.8	BP10114-1	1	
	B18164-1	MAGSTER-350C LESA	-----		U 0.8-1.0	BP10118-1	1	
	B18131-1	PDE-41W	-----		U 1.0-1.2	BP10077-1	1	
	B18046-1	PDE-41	-----		U 1.2-1.6	BP10079-2	1	
	B18165-1	MAGSTER-351 LESA	1021		U 1.6-2.0	BP10128-1	1	
	B18122-1	PDE-41 ASK	-----		V 0.6-0.8	BP10076-1	1	
	B18186-1	PDE-41W NA	-----		V 0.8-1.0	BP10088-2	1	
	B18169-1	PDE-41 NA	-----		V 1.0-1.2	BP10092-2	1	
	B18173-1	PDE-41W ASK	-----		V 1.2-1.6	BP10095-1	1	
	B18048-1	PDE-41Wplus	-----		V 2.0-2.4	BP10097-1	1	
	B18047-1	PDE-41plus	-----		VK 1.0-1.2	BP10102-1	1	
	B18049-1	PDE-7FW	-----		VK 1.2-1.2	BP10145-1	1	
	B18171-1	PDE-7FW ASK	-----		VK 1.6-2.0	BP10103-1	1	
	B18041-1	MIG-350r	-----		VK 2.4-3.2	BP10104-1	1	
	B18042-1	MIG-450r	-----		VK 2.8-3.2	BP10105-1	1	
	B18043-1	MIG-500r	50015					
	B18211-1	PDE-7F WELDTECH	-----					
	B18227-1	PDE-51	1117					
0744-000-162R 0646-231-019R	B18123-1	PDE-41 LT	-----	Ø30	U 0.6-0.8	BP10113-1	1	
	B18007-1	MAGPOWER-4000+	1017		U 0.8-1.0	BP10117-1	1	
	B18019-1	MAGSTER-315 4x4	1037		U 1.0-1.2	BP10075-2	1	
	B18012-1	MAGSTER-250 4x4	1036		U 1.2-1.6	BP10078-1	1	
	B18226-1	PDE-50	1116		U 1.6-2.0	BP10127-1	1	
0744-000-179R	B18219-1	MIDIMAGSTER 1801	1104		V 0.6-0.8	BP10085-2	1	
	B18220-1	MIDIMAGSTER 1613	1105		V 1.0-1.2	BP10120-2	1	
	B18221-1	MAGPOWER 1801 DUAL	1110		V 1.2-1.6	BP10094-1	1	
	B18221-2	MAGPOWER 1801+AKCESORIA	1110		VK 0.6-0.8	BP10181-1	1	
	B18222-1	MAGPOWER 1613	1111		VK 1.0-1.2	BP10101-1	1	
	B18215-1	MAGSTER 190	1106					
	B18216-1	MAGSTER 220	1107					
	B18217-1	MAGSTER 280	1108					
	B18218-1	MAGSTER 330	1109					
	B18230-1	MAGPOWER 2201	1120					
	B18231-1	MAGPOWER 2701	1121					
	B18232-1	MAGPOWER 3301	1122					
0744-000-191R 0646-231-193R	B18228-1	MAGSTER 280 4x4	1118					
	B18229-1	MAGSTER 330 4x4	1119					

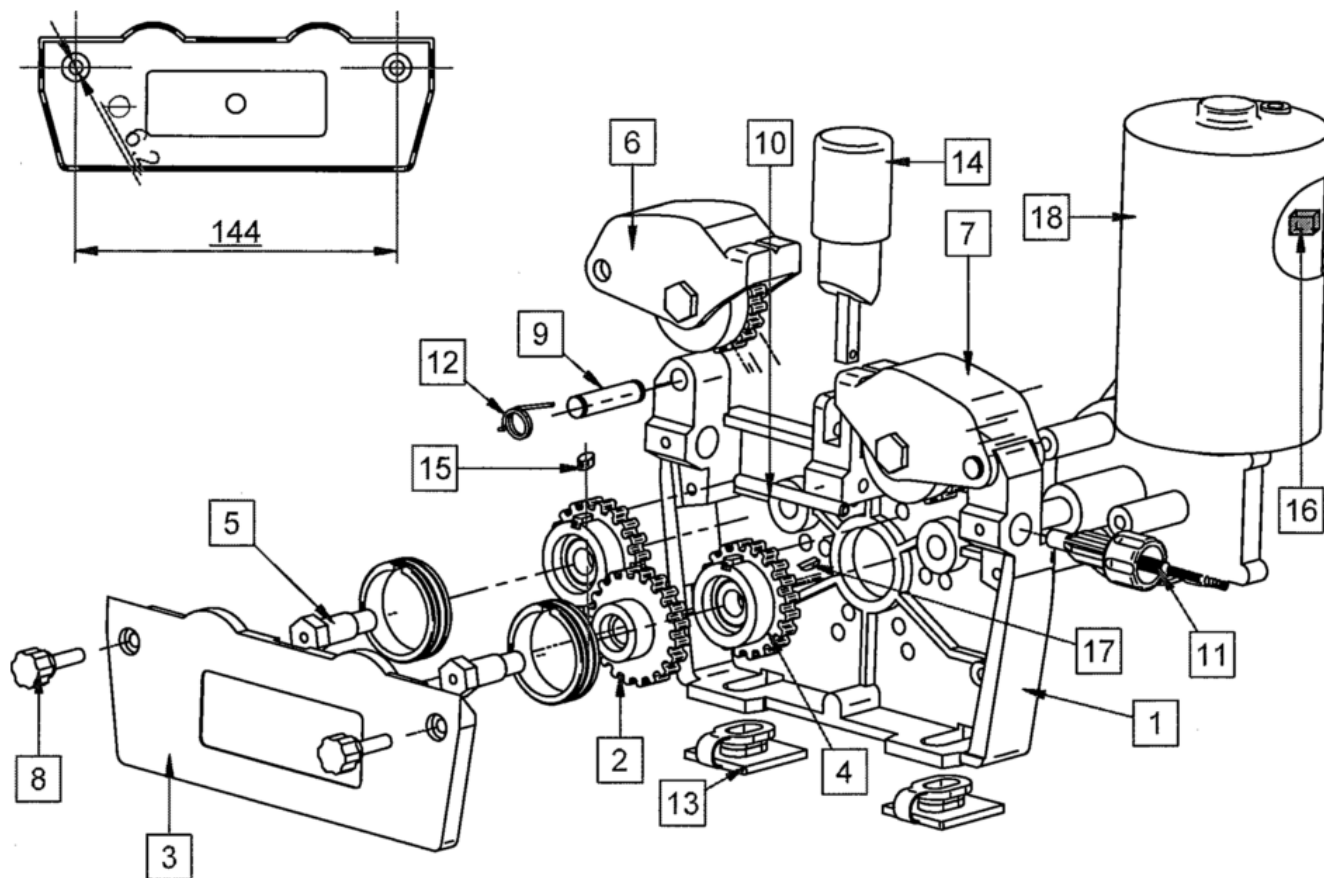
WIRE FEEDER	MACHINE ITEM	MACHINE	CODE	ROLL	WIRE	ITEM NUMBER	Q-TY
0646-231-020R	K10340-40-5-W	LF-40	50063	Ø37	U 1.0-1.2	KP14016-1.2A	1
0744-000-160R ²⁾	K14003-1	POWERTEC 200C	50003		U 1.0-1.2	KP14017-1.2A	2
	K14004-1	POWERTEC 250C	50004		U 1.2-1.6	KP14017-1.6A	2
	K14004-3	POWERTEC 250C-I	50054		V 0.6-0.8	KP14016-0.8	1
	K14005-1	POWERTEC 300C	50005		V 0.6-0.8	KP14017-0.8	2
	K14005-3	POWERTEC 300C-I	50055		V 0.8-1.0	KP14016-1.0	1
	K14003-2	POWERTEC 200C	50091		V 0.8-1.0	KP14017-1.0	2
	K14004-2	POWERTEC 250C	50092		V 1.0-1.2	KP14016-1.2	1
	K14005-5	POWERTEC 300C	50093		V 1.0-1.2	KP14017-1.2	2
	K14040-1	POWERTEC 161C	50090		V 1.2-1.6	KP14017-1.6	2
	K14040-2	POWERTEC 161C	50110		VK 0.9-1.1	KP14016-1.1R	1
	K14045-1	POWERTEC 191C	50106		VK 0.9-1.1	KP14017-1.1R	2
	K14046-1	POWERTEC 231C	50107		VK 1.2-1.6	KP14016-1.6R	1
	K14047-1	POWERTEC 271C	50108		VK 1.2-1.6	KP14017-1.6R	2
	0744-000-165R	K14013-1	POWERTEC-280C PRO		50019, 50068, 50095	VK 1.6-2.4	KP14017-2.4R
K14014-1		POWERTEC-350C PRO	50020, 50069, 50096				
K14015-1		POWERTEC-420C PRO	50021, 50070, 50097				
K14015-1W		POWERTEC-420C PRO WATER	50022, 50071, 50084, 50098				
K14026-1W		LF-24 PROWATER	50035, 50115				
K14025-1A		LF-24 AIR	50032				
K14025-1W		LF-24 WATER	50033, 50114				
K14030-1W		LF-33 WATER	50041, 50052, 50116				
0744-000-166R ¹⁾	K14003-1	POWERTEC 200C	50003				
	K14004-1	POWERTEC 250C	50004				
	K14004-3	POWERTEC 250C-I	50054				
	K14005-1	POWERTEC 300C	50005				
	K14005-3	POWERTEC 300C-I	50055				
0744-000-167R	K14005-2	POWERTEC-300C 4ROLL	50023				
0744-000-168R	K10406	LF-37	54035				
	K10407	LF-38	54036				
0744-000-169R	K14024-1	LF-22	50031, 50113				
0744-000-176R	K14035-1W	LF-34	50048, 50117				
	K14036-1W	LF-35	50049, 50118				

* - Spare parts for these wire feeder systems are exchangeable in 100%

1) - used for production until January 2008.

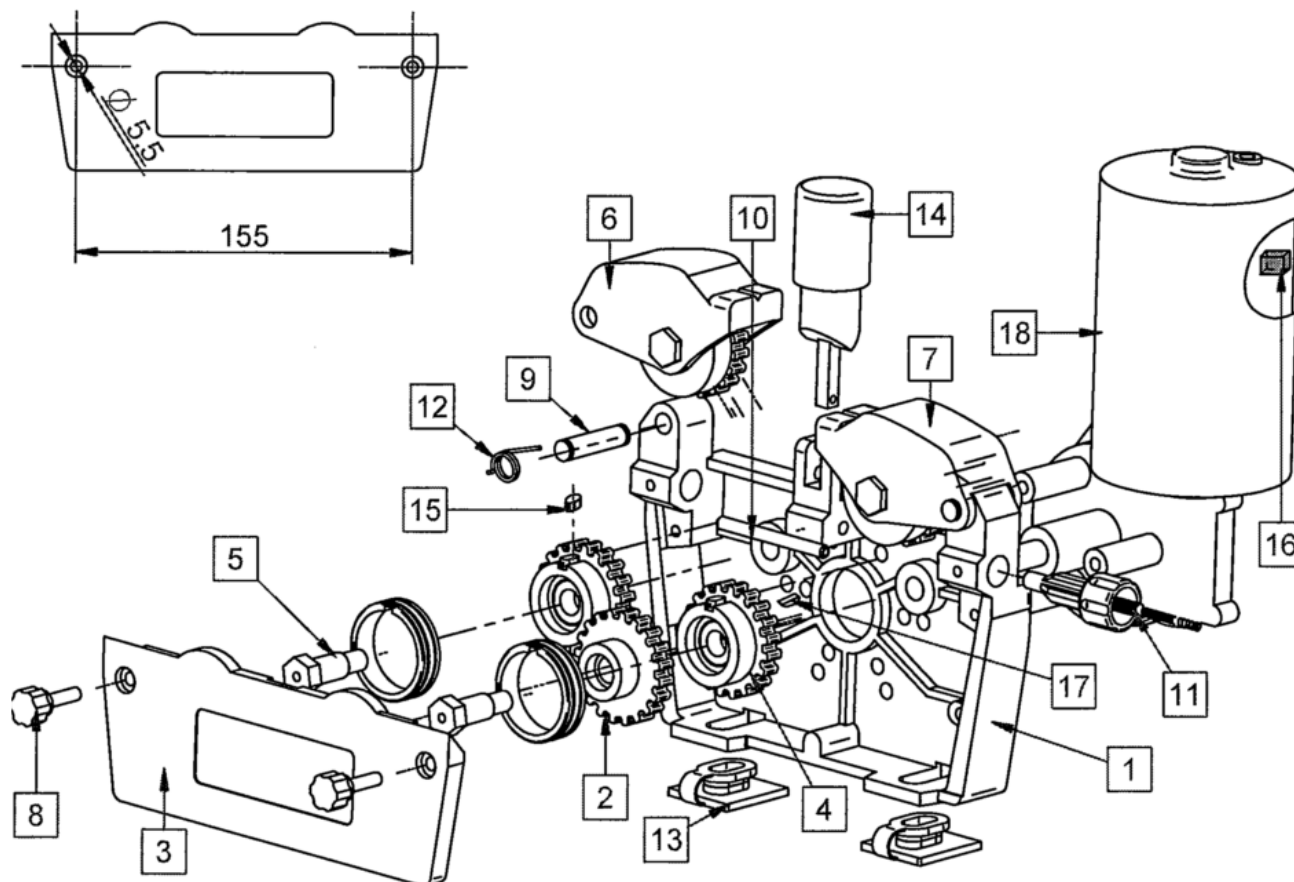
2) - used for production starting since February 2008.

1. Wire feeder unit for item number 0744-000-163R "A".



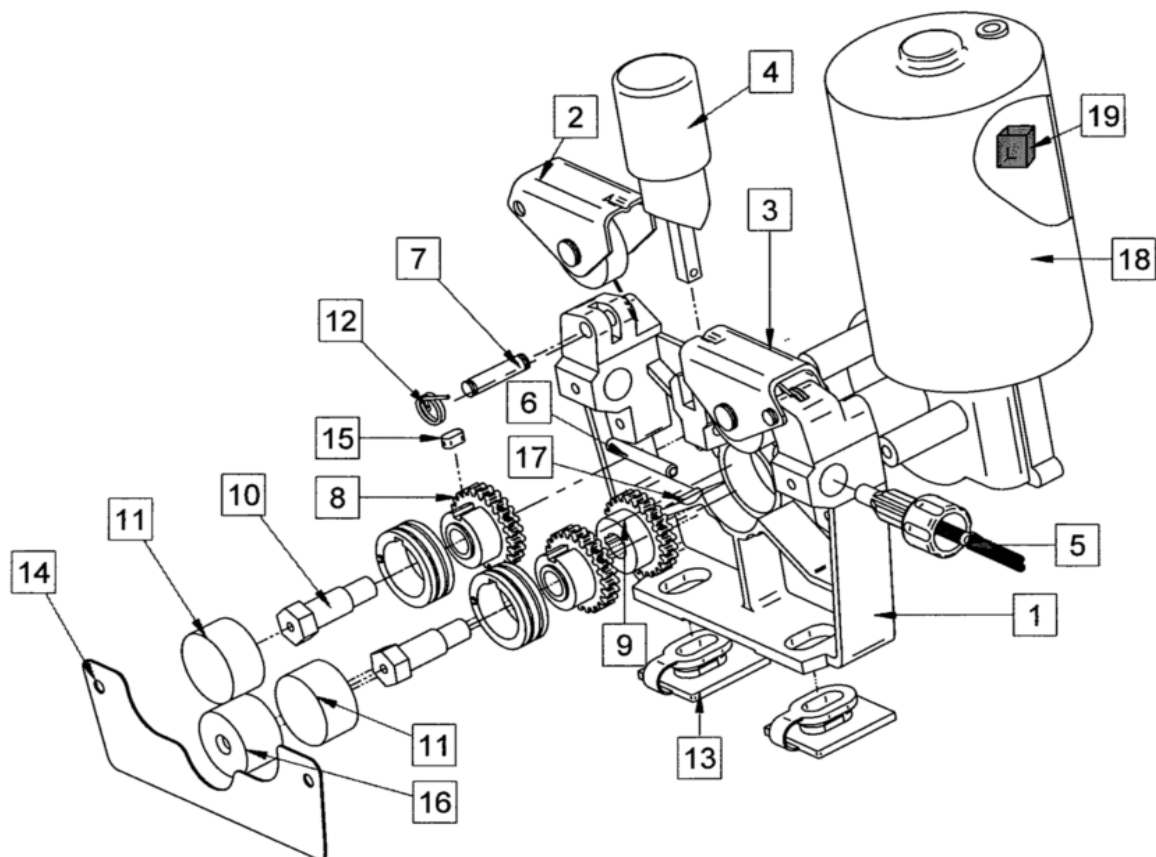
Pos.	Item number	Description 1	Description 2	Group
	0744-000-163R	ZPD-12+MOTOR 100.707	WIRE FEEDER CWF-5110PLUS	
	0646-231-018R	ZPD-12 WITHOUT MOTOR	WIRE FEEDER CWF-5110PLUS	
1	0646-231-112R	ZPD-12/1-1	FEED PLATE A	3
2	0646-231-050R	ZPD-12/2	GEAR WHEEL MOTOR	2
3	0646-231-093R	ZPD-12/3-1	ROLL COVER A	1
4	0646-231-051R	ZPD-12/4	GEAR WHEEL ROLL	2
5	0646-231-054R	ZPD-12/5	AXIS DRIVE ROLL	2
6	0646-231-113R	ZPD-12/6-1	PRESSURE ARM COMPL.L A	3
7	0646-231-114R	ZPD-12/7-1	PRESSURE ARM COMPL.R A	3
8	0646-231-087R	ZPD-12/8-1	SPECIAL SCREW A	2
9	0646-231-115R	ZPD-12/9-1	AXIS PRESSURE ARM A	3
10	0646-231-058R	ZPD-12/10-1	INTERMEDIATE GUIDE A	1
11	0646-231-056R	ZPD-12/11	INLET GUIDE COMPL.	1
12	0646-231-110R	ZPD-12-13/12	SPRING PRESSURE ARM	3
13	0646-231-111R	ZPD-12-13/13	INSULATING WASHER	2
14	0646-231-092R	ZPD-12/14-1	FIXING ARM COMPL. A	1
15	0646-231-079R	ZPD-11-12-13-19/15	KEY GEAR WHEEL	1
16	1111-311-043R	SZS-1	BRUSH TO ELVI 90W 42V	2
17	0646-231-102R	WOODRUFF KEY	TO MOTOR WIRE FEEDER	1
18	1111-722-042R	ELVI- 42V 90W	MOTOR 100.707	2

2. Wire feeder unit for item number 0744-000-163R "B".



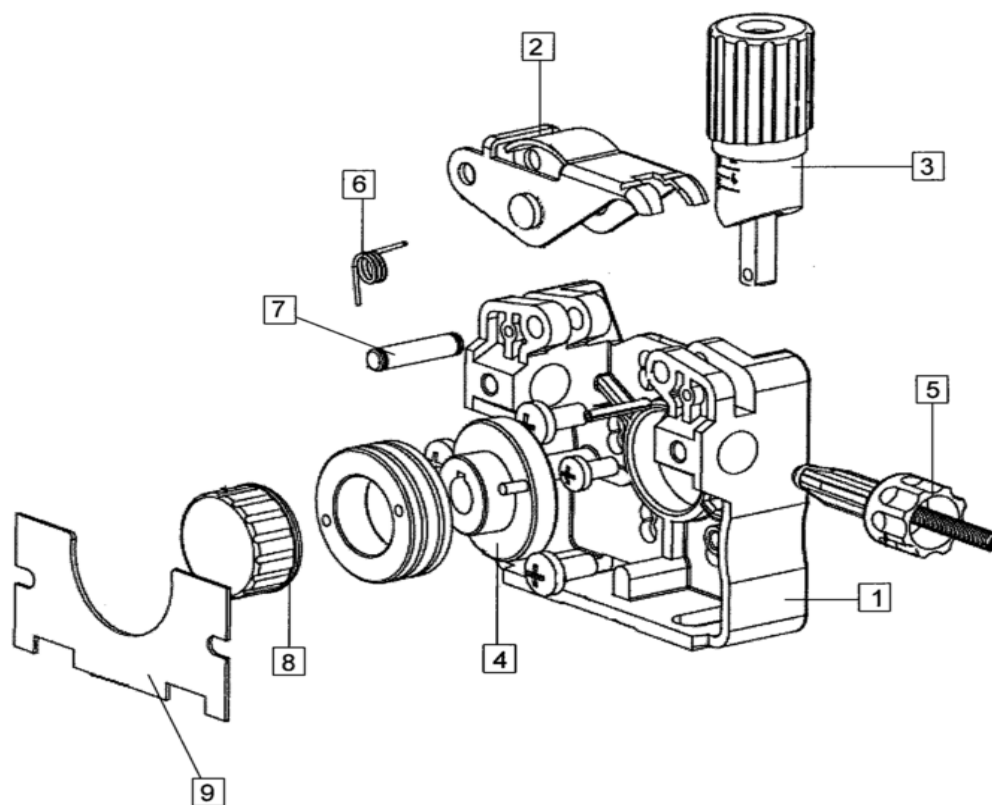
Pos.	indeks/item no	Opis 1/Description 1	Description 2	Group
	0744-000-163R	ZPD-12+MOTOR 100.708	WIRE FEEDER CWF-5110PLUS	2
	0646-231-018R	ZPD-12 WITHOUT MOTOR	WIRE FEEDER CWF-5110PLUS	2
1	0646-231-103R	ZPD-12/1-2	FEED PLATE B	3
2	0646-231-050R	ZPD-12/2	GEAR WHEEL MOTOR	2
3	0646-231-083R	ZPD-12/3-2	ROLL COVER B	1
4	0646-231-051R	ZPD-12/4	GEAR WHEEL ROLL	2
5	0646-231-054R	ZPD-12/5	AXIS DRIVE ROLL	2
6	0646-231-104R	ZPD-12/6-2	PRESSURE ARM COMPL.L B	3
7	0646-231-105R	ZPD-12/7-2	PRESSURE ARM COMPL.R B	3
8	0646-231-106R	ZPD-12/8-2	SPECIAL SCREW B	2
9	0646-231-107R	ZPD-12/9-2	AXIS PRESURRE ARM B	3
10	0646-231-108R	ZPD-12/10-2	INTERMEDIATE GUIDE B	1
11	0646-231-056R	ZPD-12/11	INLET GUIDE COMPL.	1
12	0646-231-110R	ZPD-12-13/12	SPRING PRESSURE ARM	3
13	0646-231-111R	ZPD-12-13/13	INSULATING WASHER	2
14	0646-231-082R	ZPD-12/14-2	FIXING ARM COMPL. B	1
15	0646-231-079R	ZPD-11-12-13-19/15	KEY GEAR WHEEL	1
16	1111-311-043R	SZS-1	BRUSH TO ELVI 90W 42V	2
17	0646-231-102R	WOODRUFF KEY	TO MOTOR WIRE FEEDER	1
18	1111-722-042R	ELVI- 42V 90W	MOTOR 100.707	2

3. Wire feeder unit for item number 0744-000-162R.



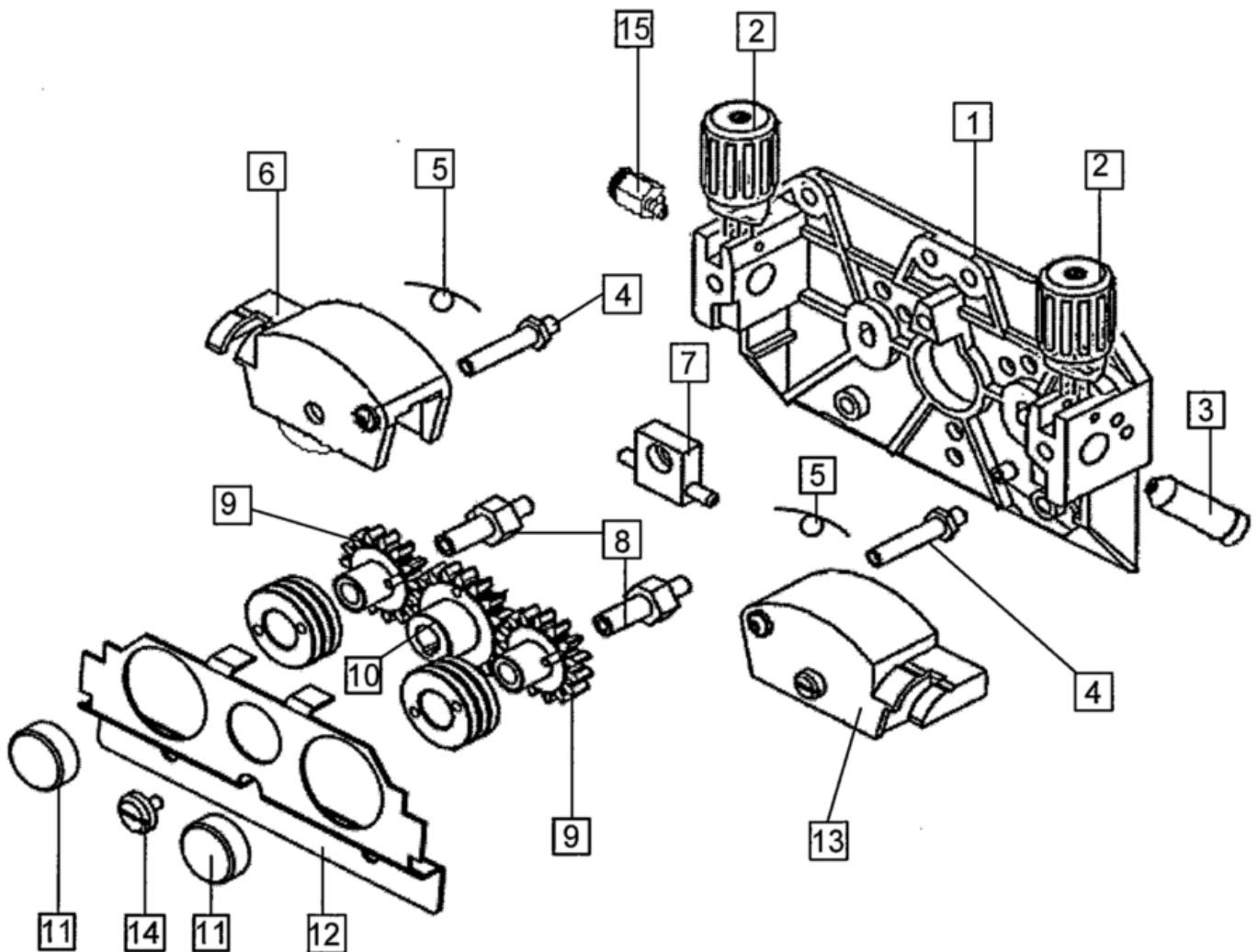
Pos.	Item number	Description 1	Description 2	Group
	0744-000-162R	ZPD-13+MOTOR 100.707	WIRE FEEDER CWF-4010	2
	0646-231-019R	ZPD-13 WITHOUT MOTOR	WIRE FEEDER CWF-4010	2
1	0646-231-116R	ZPD-13/1	FEED PLATE	3
2	0646-231-117R	ZPD-13/2	PRESSURE ARM COMPL.L	3
3	0646-231-118R	ZPD-13/3	PRESSURE ARM COMPL.R	3
4	0646-231-084R	ZPD-13/4	FIXING ARM COMPL.	1
5	0744-000-193R	ZPD-13-14/5	INLET GUIDE COMPL.	1
6	0646-231-076R	ZPD-13/6	INTERMEDIATE GUIDE	1
7	0646-231-120R	ZPD-13-14/7	AXIS PRESURRE ARM	3
8	0646-231-071R	ZPD-13/8	GEAR WHEEL ROLL	2
9	0646-231-070R	ZPD-13/9	GEAR WHEEL MOTOR	2
10	0646-231-074R	ZPD-13/10	AXIS DRIVE ROLL	2
11	0646-231-077R	ZPD-13/11	FIXING CAP	2
12	0646-231-110R	ZPD-12-13/12	SPRING PRESSURE ARM	3
13	0646-231-111R	ZPD-12-13/13	INSULATING WASHER	3
14	0646-231-122R	ZPD-13/14	METAL COVER	2
15	0646-231-079R	ZPD-12-13-19-20/15	KEY GEAR WHEEL	1
16	0646-231-121R	ZPD-13/16	FIXING CAP	2
17	0646-231-102R	WOODRUFF KEY	TO MOTOR WIRE FEEDER	1
18	1111-722-042R	ELVI-42V 90W	MOTOR 100.707	2
19	1111-311-043R	SZS-1	BRUSH TO ELVI 90W 42V	2

4. Wire feeder unit for item number 0744-000-166R and 0744-000-169R.



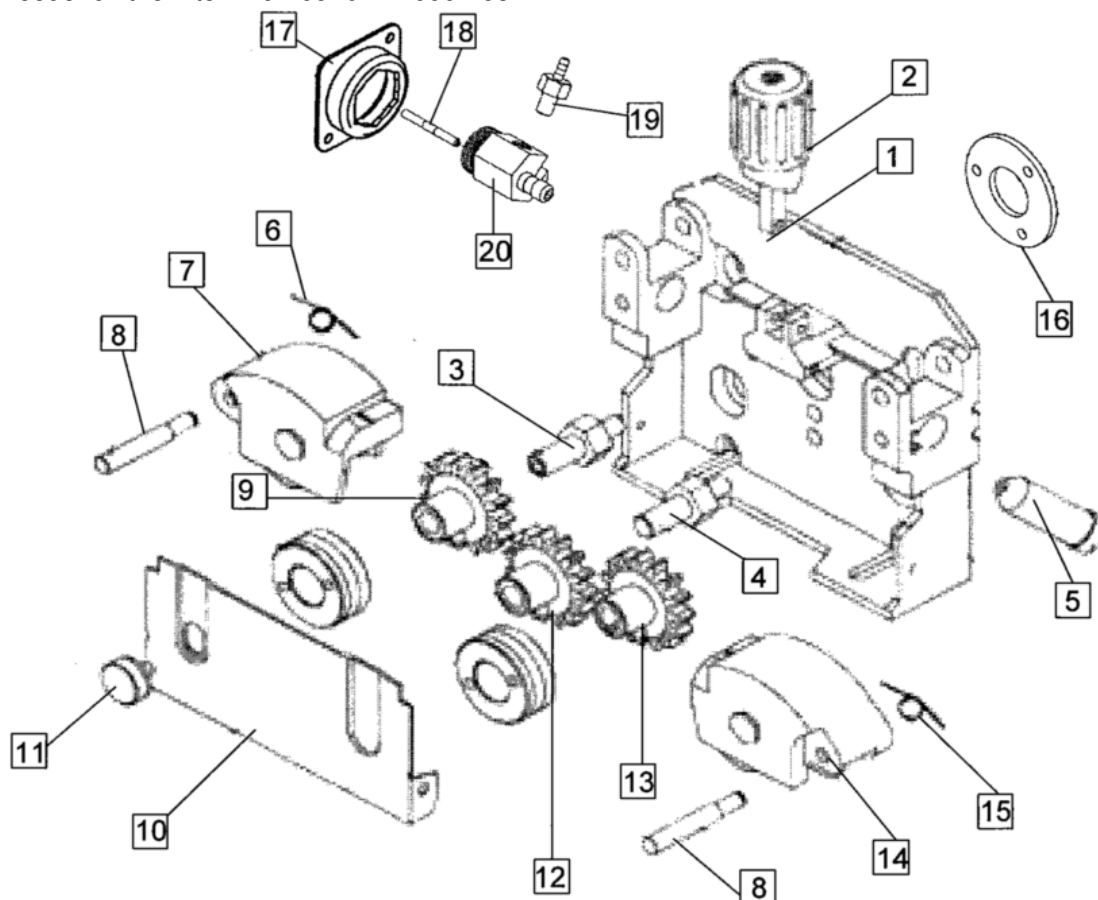
Pos	Item number	Description 1	Description 2	Group
	0744-000-166R	ZPD-14 WIRE FEEDER	CWF-300	2
1	0646-231-123R	ZPD-14/1	FEED PLATE	3
2	0646-231-096R	ZPD-14/2	PRESSURE ARM COMPL.	2
3	0646-231-097R	ZPD-14/3	FIXING ARM COMPL.	1
4	0744-000-194R	ZPD-14/4	ADAPTER COPL.	3
5	0744-000-193R	ZPD-13-14/5	INLET GUIDE COMPL.	1
6	0646-231-125R	ZPD-14/6	SPRING PRESSURE ARM	3
7	0646-231-120R	ZPD-13-14/7	AXIS PRESSURE ARM	3
8	0744-000-195R	ZPD-14/8	FIXING CAP	2
9	0646-231-127R	ZPD-14/9	METAL COVER	2

5. Wire feeder unit for item number 0646-231-020R



Pos	Item number	Description 1	Description 2	Group
	0646-231-020R	ZPD-15 WIRE FEEDER	LF-40	2
1	0646-233-030R	ZPD-15/1	FEED PLATE	3
2	0646-233-015R	ZPD-15-16-17-18/2	FIXING ARM COMPL.	1
3	0646-233-025R	ZPD-15-16-17/3 T51125	INLET GUIDE	1
4	0646-233-003R	ZPD-15-16-17/4 S51997-2	AXIS PRESSURE ARM	3
5	0646-233-013R	ZPD-15-16-17/5 S51997-12	SPRING PRESSURE ARM	3
6	0646-233-037R	ZPD-15/6	PRESSURE ARM COMPL.L	3
7	0646-233-023R	ZPD-15-16-17/7 T51126	INTERMEDIATE GUIDE	1
8	0646-233-031R	ZPD-15/8	AXIS DRIVE ROLL	2
9	0646-233-032R	ZPD-15/9 S51889	GEAR WHEEL ROLL	2
10	0646-233-035R	ZPD-15/10 S51888	GEAR WHEEL MOTOR	2
11	0646-233-033R	ZPD-15/11	FIXING CAP	2
12	0646-233-034R	ZPD-15/12	METAL COVER	2
13	0646-233-038R	ZPD-15/13	PRESSURE ARM COMPL.R	3
14	0646-233-036R	ZPD-15/14	SCERW MOTOR WHEEL	2
15	0646-233-054R	ZPD-15/15 S51899-1	EURO SOCKET	2

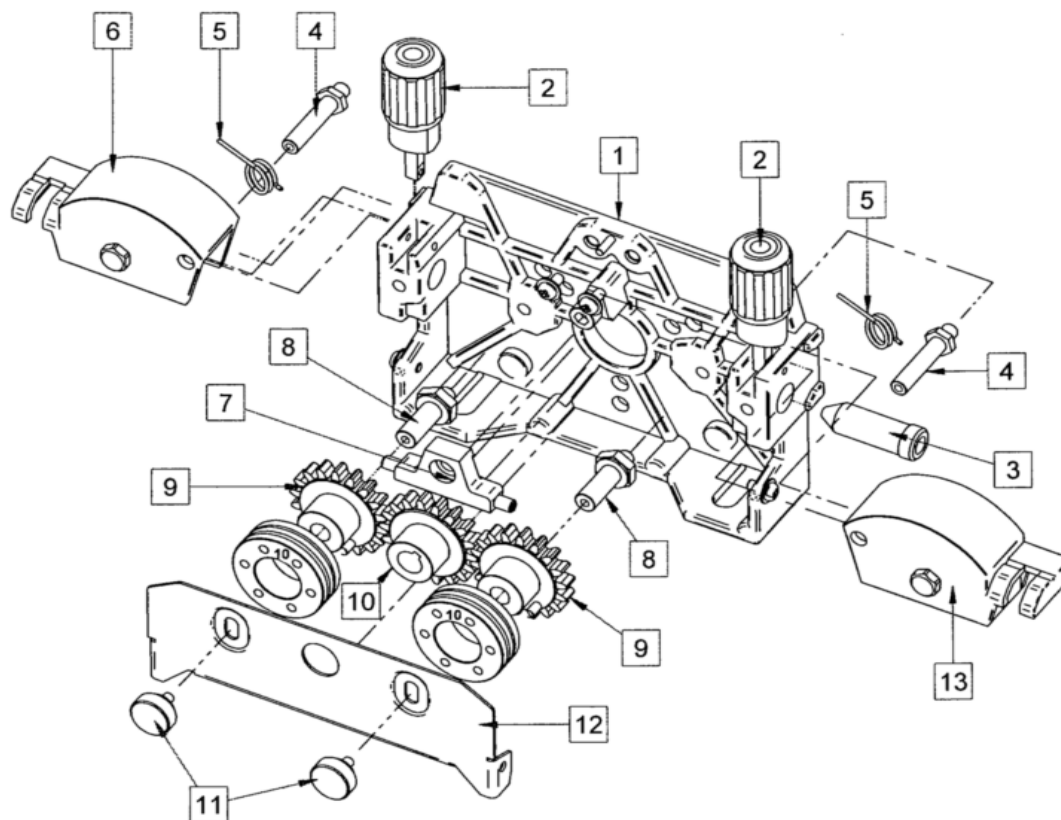
6. Wire feeder unit for item number 0744-000-168R



Pos.	Item number	Description 1	Description 2	Group
	0744-000-168R	ZPD-18 WIRE FEEDER	LF-37/38	2
1	0744-000-178R	ZPD-18/1	FEED PLATE	3
2	0646-233-015R	ZPD-15-16-17-18/2	FIXING ARM COMPL.	1
3	0646-233-039R	ZPD-18/3	AXIS DRIVE ROLL L	2
4	0646-233-040R	ZPD-18/4	AXIS DRIVE ROLL R	2
5	0744-000-188R	ZPD-18/5	INLET GUIDE	1
6	0646-233-041R	ZPD-18/6	SPRING PRESSURE ARM	3
7	0646-233-042R	ZPD-18/7	PRESSURE ARM COMPL.L	3
8	0646-233-043R	ZPD-18/8	AXIS PRESSURE ARM	3
9	0646-231-090R	ZPD-16-17-18/9 S51889-2	GEAR WHEEL ROLL	2
10	0646-233-045R	ZPD-18/10	METAL COVER	2
11	0646-231-091R	ZPD-18/11 M51651-3	FIXING CAP	2
12	0646-231-089R	ZPD-18/12 S51889-3	GEAR WHEEL	2
13	0646-231-088R	ZPD-18/13 S51888-1	GEAR WHEEL MOTOR	2
14	0646-233-048R	ZPD-18/14	PRESSURE ARM COMPL.R	3
15	0646-233-049R	ZPD-18/15	SPRING PRESSURE ARM	3
16	0646-233-050R	ZPD-18/16 S52134	DISTANCE WASHER	3
17	0646-233-051R	ZPD-18/17 S52133	EURO SHIELD	2
18	0646-233-052R	ZPD-18/18 S51127-4	OUTLET GUIDE	1
19	0646-233-053R	ZPD-18/19 T51120-2	SOCKET FERRULE	3
20	0742-210-005R	ZPD-18/20 M51607-2	EURO SOCKET	2

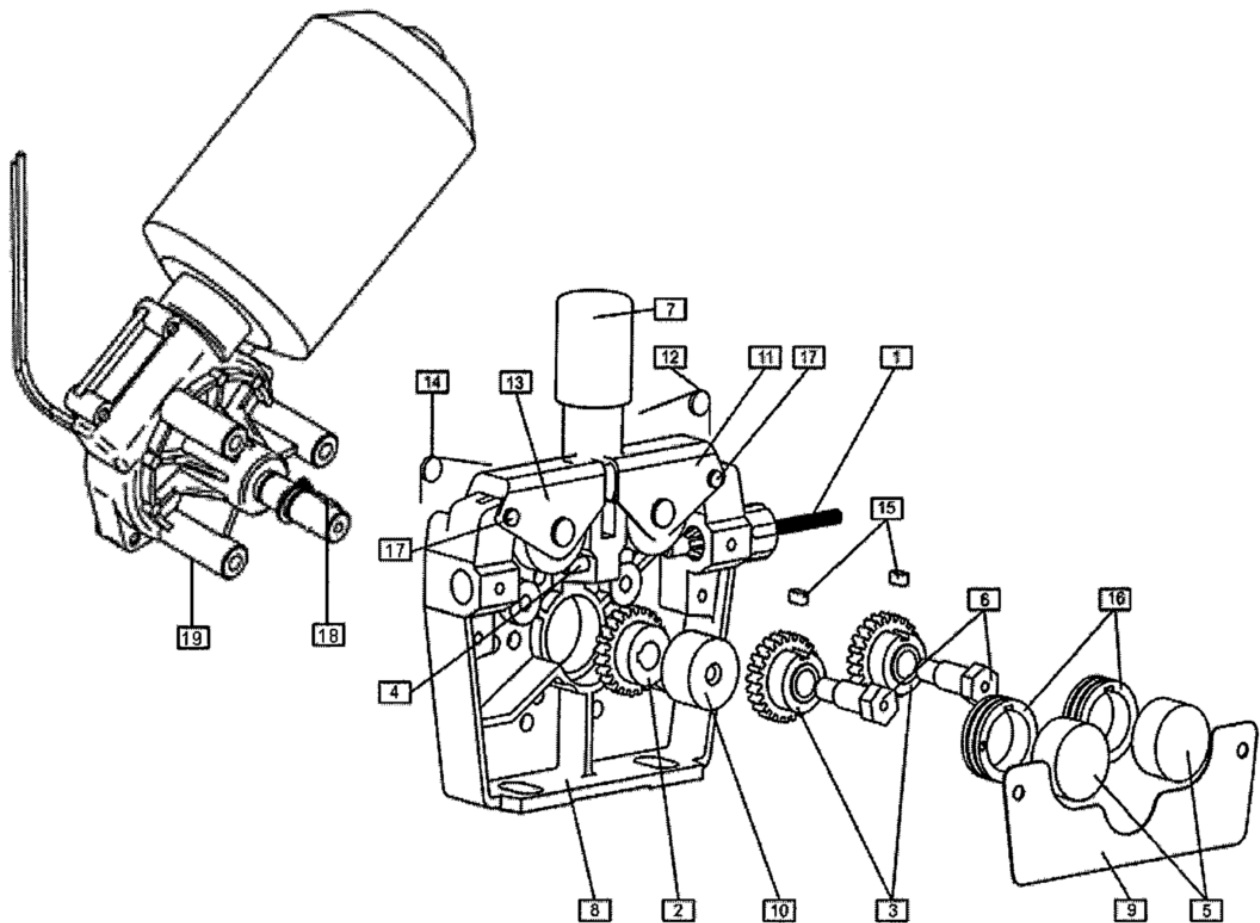
7. Wire feeder unit for item numbers:

- 0744-000-165R
- 0744-000-167R
- 0744-000-176R



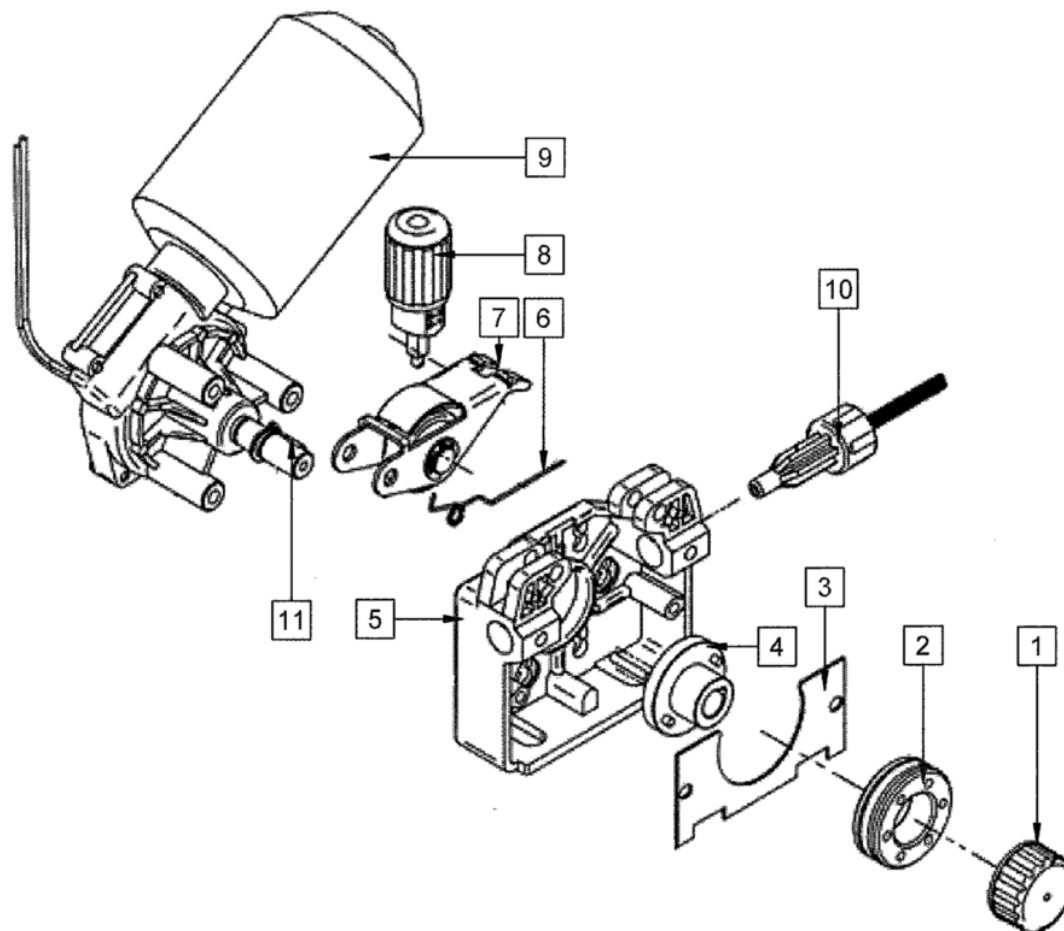
Pos.	Item number	Description 1	Description 2	Group
	0744-000-165R	ZPD-16 WIRE FEEDER	POWERTEC-PRO	2
	0744-000-167R	ZPD-17 WIRE FEEDER	POWERTEC-300 4ROLL	2
	0744-000-176R	ZPD-19 WIRE FEEDER	LF-34 LF-35	2
1	0646-233-002R	ZPD-16-17-19/1 S51997-1	FEED PLATE	3
2	0646-233-015R	ZPD-15-16-17-18-19/2	FIXING ARM COMPL.	1
3	0646-233-025R	ZPD-15-16-17-19/3 T51125	INLET GUIDE	1
4	0646-233-003R	ZPD-15-16-17-19/4 S51997-2	AXIS PRESSURE ARM	3
5	0646-233-013R	ZPD-15-16-17-19/5 S51997-12	SPRING PRESSURE ARM	3
6	0646-233-007R	ZPD-16-17-19/6 S51997-5	PRESSURE ARM COMPL.L	3
7	0646-233-023R	ZPD-15-16-17-19/7 T51126	INTERMEDIATE GUIDE	1
8	0646-233-020R	ZPD-16-17-19/8 S51997-19	AXIS DRIVE ROLL	2
9	0646-231-090R	ZPD-16-17-18-19/9 S51889-2	GEAR WHEEL ROLL	2
10	0646-233-028R	ZPD-16-17-19/10 S51888	GEAR WHEEL MOTOR	2
11	0744-000-190R	ZPD-16-17-19/11 S51997-20	FIXING CAP	2
12	0646-233-027R	ZPD-16-17-19/12 S51997-23	METAL COVER	2
13	0646-233-005R	ZPD-16-17-19/13 S51997-4	PRESSURE ARM COMPL.R	3

8. Wire feeder unit for item number 0744-000-191R



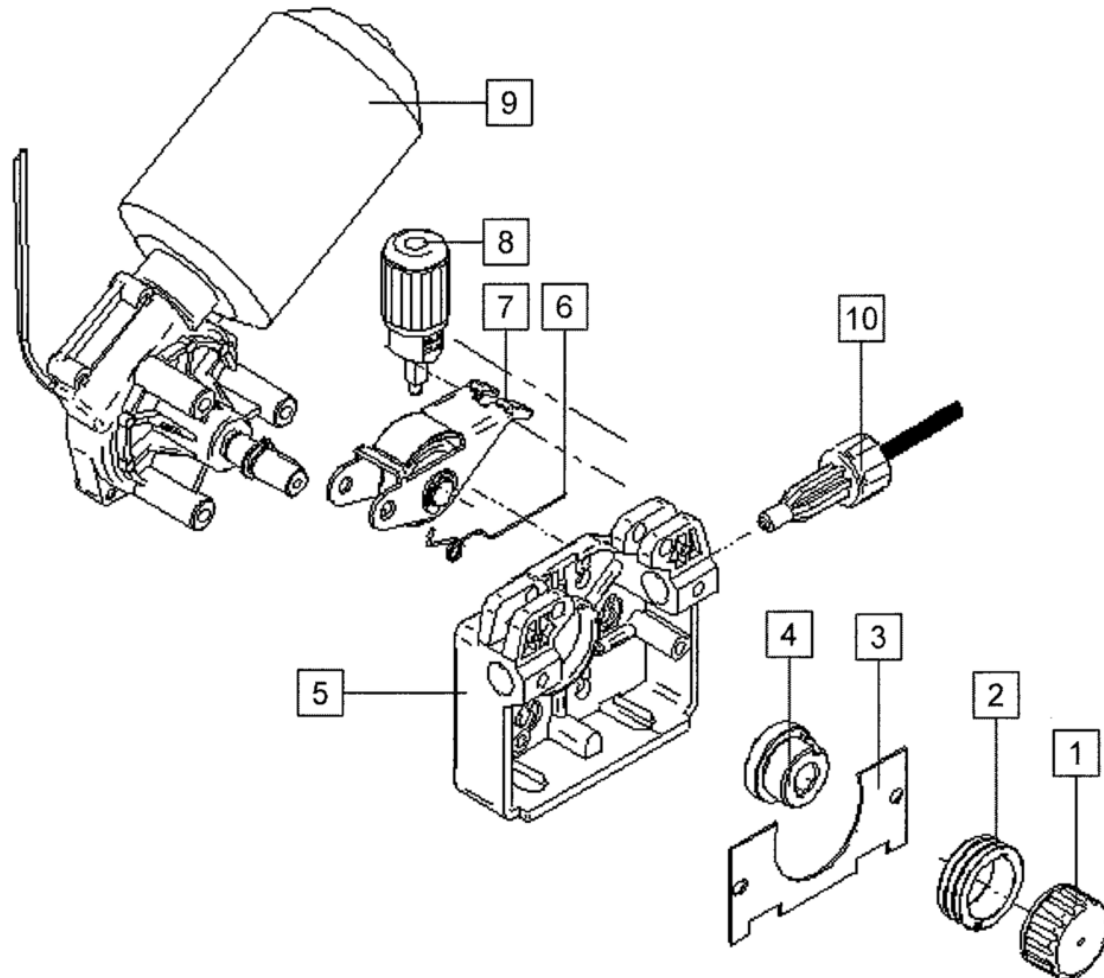
Pos.	Item number	Description 1	Description 2	Group
	0744-000-191R	ZPD-20+ MOTOR	WIRE FEEDER SSJ-5C	2
	0646-231-193R	ZPD-20 WHITOUT MOTOR	WIRE FEEDER SSJ-5C	2
1	0646-231-126R	ZPD-20/1	INLET GUIDE	1
2	0646-231-124R	ZPD-20/2	GEAR WHEEL MOTOR	2
3	0646-231-098R	ZPD-20/3	GEAR WHEEL ROLL	2
4	0646-231-099R	ZPD-20/4	INTERMEDIATE GUIDE	1
5	0646-231-101R	ZPD-20/5	FIXING CAP	2
6	0646-231-128R	ZPD-20/6	AXIS DRIVE ROLL	2
7	0646-231-129R	ZPD-20/7	FIXING ARM COMPL.	1
8	0646-231-130R	ZPD-20/8	FEED PLATE	2
9	0646-231-131R	ZPD-20/9	METAL COVER	2
10	0646-231-132R	ZPD-20/10	FIXING CAP	2
11	0646-231-133R	ZPD-20/11	PRESSURE ARM COMPL.R	2
12	0646-231-134R	ZPD-20/12	SPRING PRESSURE ARM R	2
13	0646-231-135R	ZPD-20/13	PRESSURE ARM COMPL.L	2
14	0646-231-136R	ZPD-20/14	SPRING PRESSURE ARM L	2
15	0646-231-079R	ZPD-12-13-19-20/15	KEY GEAR WHEEL	1
16		ROLL	ACCESSORIES	
17	0646-231-138R	ZPD-20/17	AXIS PRESSURE ARM	2
18	0646-231-102R	WOODRUFF KEY	TO MOTOR WIRE FEEDER	1
19	0646-231-137R	MOTOR 24V 40W		2

9. Wire feeder unit for item number 0744-000-160R



Pos.	Item number	Description 1	Description 2	Group
	0744-000-160R	ZPD-11 CHF28V50WC3002R37	WIRE FEEDER SSJ-4C	2
1	0744-000-216R	ZPD-10-11/1	FIXING CAP	2
2		ROLL	ACCESSORIES	
3	0744-000-218R	ZPD-11/3	METAL COVER	2
4	0744-000-227R	ZPD-11/4	ADAPTER	2
5	0744-000-219R	ZPD-10-11/5	FEED PLATE	2
6	0744-000-220R	ZPD-10-11/6	SPRING PRESSURE ARM	2
7	0744-000-221R	ZPD-10-11/7	PRESSURE ARM COMPLETE	2
8	0744-000-223R	ZPD-10-11/8	FIXING ARM COMPL.	2
9	0744-000-229R	MOTOR 28V 50W	MOTOR	2
10	0744-000-224R	ZPD-10-11/10	INLET GUIDE	1
11	0646-231-102R	WOODRUFF KEY	TO MOTOR WIRE FEEDER	1

10. Wire feeder unit for item number 0744-000-179R



Pos.	Item number	Description 1	Description 2	Group
	0744-000-179R	ZPD-10 CHF24V40WC3002R30	WIRE FEEDER SSJ-4C-2	2
1	0744-000-216R	ZPD-10-11/1	FIXING CAP	2
2		ROLL	ACCESSORIES	
3	0744-000-209R	ZPD-10/3	METAL COVER	2
4	0744-000-230R	ZPD-10/4	ADAPTER	2
5	0744-000-219R	ZPD-10-11/5	FEED PLATE	2
6	0744-000-220R	ZPD-10-11/6	SPRING PRESSURE ARM	2
7	0744-000-221R	ZPD-10-11/7	PRESSURE ARM COMPLETE	2
8	0744-000-223R	ZPD-10-11/8	FIXING ARM COMPL.	2
9	0744-000-222R	MOTOR 24V 40W		2
10	0744-000-224R	ZPD-10-11/10	INLET GUIDE	1
11	0646-231-102R	WOODRUFF KEY	TO MOTOR WIRE FEEDER	1