

CODE 52034, 52037, 52040

ASSEMBLY PAGE NAME		Machine Assembly
CODE NO.:	FIGURE NO.:	A
52034	V160-S 2V	1
52037	V160-T 2V	2
52040	V160-TP 2V	3

Item	Description	Part Number	QTY	1	2	3
1	FRONT PANEL	W95X0222R	1	X	X	X
2	REAR PANEL	W95X0223R	1	X	X	X
3	BASE	W93X0376R	1	X	X	X
4	WRAPAROUND	W93X0243R	1	X	X	X
	+ SIDE NAMEPLATES	W07X0820R	1			
5	CENTER PANEL / BACK PANEL	W93X0377R	1	X	X	X
6	CONTROL BOX	W93X0378R	1	X	X	X
7	CONTROL PANEL S	W93X0824R	1	X	•	•
	+ FRONT NAMEPLATE S	W07X0783R	1			
7	CONTROL PANEL T	W93X0825R	1	•	X	•
	+ FRONT NAMEPLATE T	W07X0784R	1			
7	CONTROL PANEL TP	W93X0825R	1	•	•	X
	+ FRONT NAMEPLATE TP	W07X0785R	1			
8	HF TRANSFORMER	W59X0019R	1	•	X	X
9	FAN	W7200003R	1	X	X	X
10	INPUT CABLE CLAMP	W8400006R	1	X	X	X
11	INPUT SWITCH	W7500012R	1	X	X	X
12	DINSE CONNECTOR	W7600031R	2	X	X	X
13	INPUT P.C. BOARD	W05X0250R	1	X	•	•
13	INPUT P.C. BOARD	W05X0203R	1	•	X	X
14	INVERTER P.C. BOARD	W05X0190R	1	X	X	X
15	DISPLAY P.C. BOARD S	W05X0747R	1	X	•	•
	+ SWITCH COVER CAP	W7500007R	1			
15	DISPLAY P.C. BOARD T	W05X0748R	1	•	X	•
	+ SWITCH COVER CAP	W7500007R	2			
15	DISPLAY P.C. BOARD TP	W05X0749R	1	•	•	X
	+ SWITCH COVER CAP	W7500007R	3			
16	CONTROL P.C. BOARD	W05X0233R	1	X	X	X
17	KNOB (LARGE)	W8700030R	1	X	X	X
18	KNOB (SMALL)	W8700016R	1	X	•	•
	KNOB (SMALL)	W8700016R	2	•	X	•
18	KNOB (SMALL)	W8700016R	4	•	•	X
19	REMOTE P.C. BOARD	W05X0322R	1	•	X	X
20	TRIGGER CONNECTOR	W6100315R	1	•	X	X
21	FEMALE QUICK CONNECT GAS CONNECTOR	W8800071R	1	•	X	X

22	INPUT CORD UK 2V	W78X0435R	1	X	X	X
23	HANDLE	W92X0228-1R	1	X	X	X
24	CARRYING STRAP	W92X0264R	1	X	X	X
25	SIDE RAIL	W95X0224R	2	X	X	X
26	GAS SOLENOID	W8500004R	1	•	X	X
27	GAS INLET CONNECTOR	W89X0205R	1	•	X	X
28	GAS INLET ADAPTER FOR EUROPE	W8895221R	1	•	X	X
29	FILTER BOARD	W05X0431R	1	X	X	X
30	AUXILIARY FUSE	W7301000R	1	X	X	X

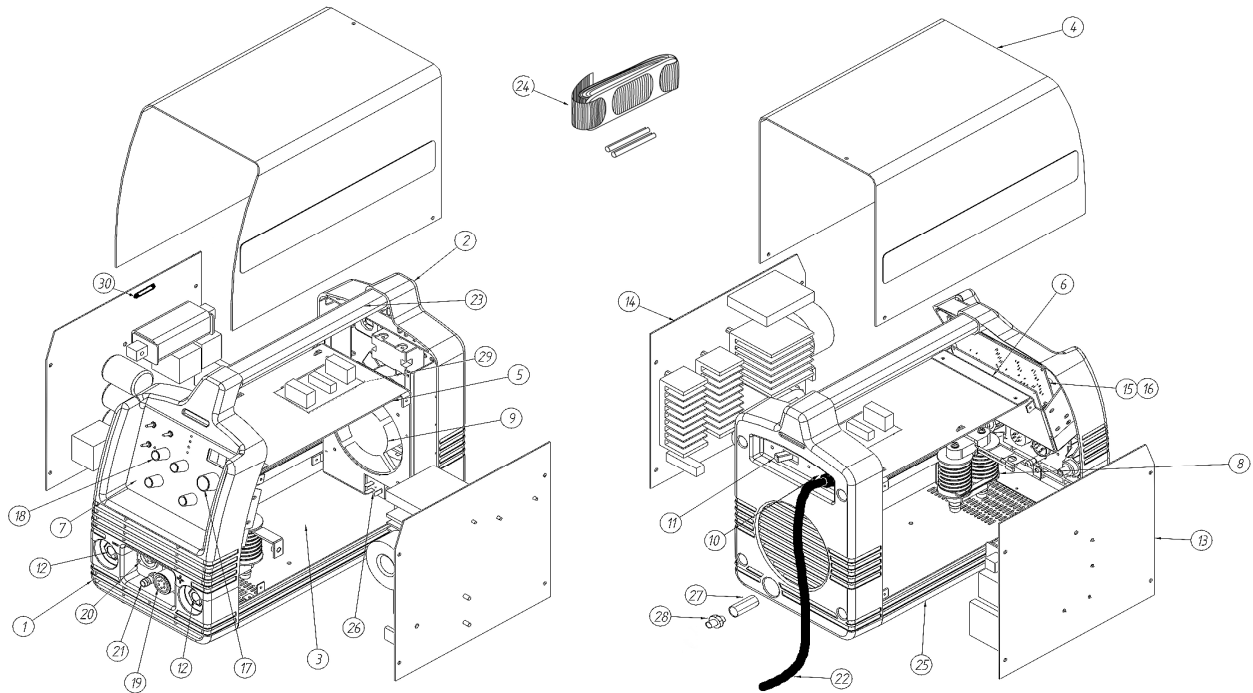


Figure A