

CODE 52041, 52042, 52045, 52046

ASSEMBLY PAGE NAME		Machine Assembly	Miscellaneous items
CODE NO.:	FIGURE NO.:	A	-
52041	V205-S 2V CE	1	1
52042	V205-S 2V AUS	1	1
52045	V205-TP2V CE	2	1
52046	V205-TP2V AUS	2	1

Item	Description	Part Number	QTY	1	2
1	FRONT PANEL	W95X0331R	1	X	X
2	REAR PANEL	W95X0332R	1	X	X
3	COMPLETE EXTERNAL BASE	W93X0327R	1	X	X
4	WRAPAROUND + SIDE DECALS	W93X0326R	1	X	X
		W07X0821R			
5	INTERNAL UPPER SUPPORT	W93X0312R	1	X	X
6	INTERNAL BASE	W93X0308R	1	X	X
7	CONTROL PANEL S + FRONT DECAL	W93X0826R	1	X	•
		W07X0717R			
7	CONTROL PANEL TP + FRONT DECAL	W93X0827R	1	•	X
		W07X0718R			
8	HF TRANSFORMER	W59X0310R	1	•	X
9	FAN	W66X0505R	1	X	X
10	INPUT CABLE CLAMP	W8403222R	1	X	X
11	INPUT SWITCH	W7511705R	1	X	X
12	DINSE CONNECTOR	W7690350R	2	X	X
13	INPUT P.C. BOARD	W05X0564R	1	X	X
14	INVERTER P.C. BOARD	W05X0430R	2	X	X
15	HF P.C. BOARD	W05X0285R	1	•	X
16	DISPLAY P.C. BOARD S + SWITCH COVER CAP	W05X0713R	1	X	•
		W7500007R	3		
16	DISPLAY P.C. BOARD TP + SWITCH COVER CAP	W05X0714R	1	•	X
		W7500007R	2		
17	CONTROL INTERFACE P.C. BOARD	W05X0568R	1	X	X
18	CONTROL P.C. BOARD	W05X0233R	1	X	X
19	REMOTE P.C. BOARD WITH REMOTE CONNECTOR	W05X0322R	1	X	X
20	TRIGGER CONNECTOR	W6100315R	1	•	X
21	KNOB (LARGE)	W8700030R	1	X	X
22	KNOB (SMALL)	W8700016R	2	X	•
22	KNOB (SMALL)	W8700016R	6	•	X
23	FEMALE QUICK CONNECT GAS CONNECTOR	W8800076R	1	•	X
24	INPUT CORD	W78X0677R	1	X	X
25	HANDLE	W92X0228-2R	1	X	X

26	CARRYING STRAP	W92X0264R	1	X	X
27	GAS SOLENOID	W8500004R	1	•	X
28	HALL SENSOR P.C. BOARD	W05X0380R	1	X	X
29	STABILIZER P.C. BOARD	W05X0569R	2	X	X

Miscellaneous Items (not showed in figure A)

Item	Description	Part Number	QTY	1	2
	AUXILIARY FUSE ON INPUT BOARD	W7301000R	2	X	
	OUTPUT FILTER CAPACITORS	W66X0484R	1	X	

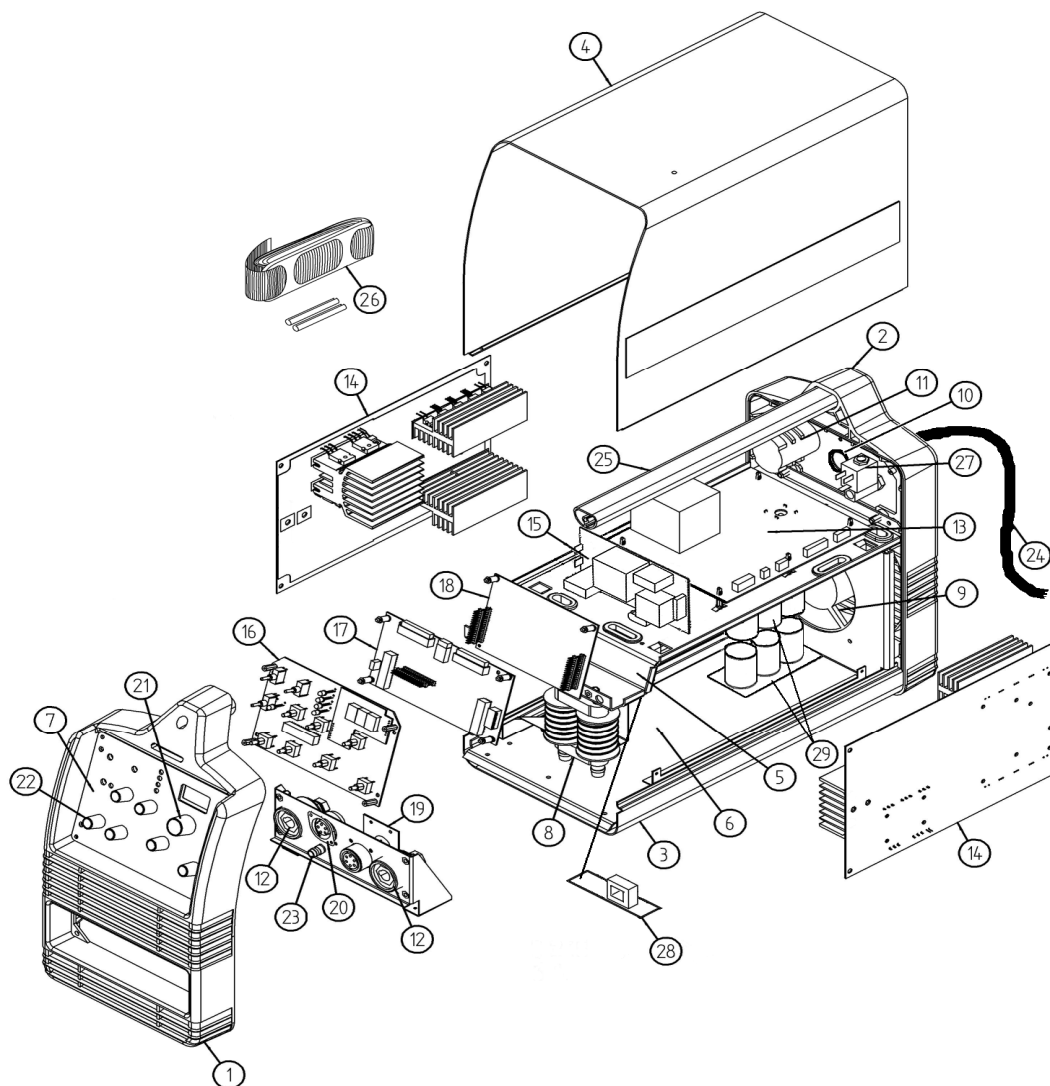


Figure A