

## CODE 52007, 52008, 52014, 52015, 52016, 52017

ASSEMBLY PAGE NAME		Machine Assembly V270	Machine Assembly V270 2V	Miscellaneous items
CODE NO.:	FIGURE NO.:	A	B	-
52014	V270-S CE	1	-	1
52015	V270-T CE	2	-	2
52016	V270-S AUS	1	-	1
52017	V270-T AUS	2	-	2
52007	V270-S 2V CE	-	3	3
52008	V270-T 2V CE	-	4	4

### Figures A & B: Machine Assemblies

Item	Description	Part Number	QTY	1	2	3	4
1	FRONT PANEL	W95X0331R	1	X	X	X	X
2	REAR PANEL	W95X0332R	1	X	X	X	X
3	COMPLETE EXTERNAL BASE	W93X0327R	1	X	X	X	X
4	WRAPAROUND	W93X0326R	1	X	X	X	X
5	INTERNAL UPPER SUPPORT	W93X0312R	1	X	X	X	X
6	INTERNAL BASE	W93X0308R	1	X	X	X	X
7	CONTROL PANEL	W93X0300R	1	X	•	X	•
7	CONTROL PANEL	W93X0296R	1	•	X	•	X
8	HF TRANSFORMER	W59X0310R	1	•	X	•	X
9	FAN	W7200003R	1	X	X	•	•
9	FAN	W66X0505R	1	•	•	X	X
10	INPUT CABLE CLAMP	W8400006R	1	X	X	•	•
10	INPUT CABLE CLAMP	W8403222R	1	•	•	X	X
11	INPUT SWITCH	W7511703R	1	X	X	•	•
11	INPUT SWITCH	W7511704R	1	•	•	X	X
12	DINSE CONNECTOR	W7690350R	2	X	X	X	X
13	INPUT P.C. BOARD	W05X0290R	1	X	X	•	•
13	INPUT P.C. BOARD	W05X0411R	1	•	•	X	X
14	INVERTER P.C. BOARD	W05X0430R	2	X	X	X	X
15	HF P.C. BOARD	W05X0285R	1	•	X	•	X
16	DISPLAY P.C. BOARD	W05X0449R	1	X	•	X	•
16	DISPLAY P.C. BOARD	W05X0450R	1	•	X	•	X
17	CONTROL INTERFACE P.C. BOARD	W05X0568R	1	X	X	X	X
18	CONTROL P.C. BOARD	W05X0233R	1	X	X	X	X
19	REMOTE P.C. BOARD WITH REMOTE CONNECTOR	W05X0322R	1	X	X	X	X
20	TRIGGER CONNECTOR	W6100315R	1	•	X	•	X
21	KNOB (LARGE)	W8700022R	1	X	X	X	X
22	KNOB (SMALL)	W8700016R	2	X	•	X	•
22	KNOB (SMALL)	W8700016R	6	•	X	•	X

23	FEMALE QUICK CONNECT GAS CONNECTOR	W8800076R	1	•	X	•	X
24	INPUT CORD	W78X0337R	1	X	X	•	•
24	INPUT CORD	W78X0436R	1	•	•	X	X
25	HANDLE	W92X0228-2R	1	X	X	X	X
26	CARRYING STRAP	W92X0264R	1	X	X	X	X
27	GAS SOLENOID	W8500004R	1	•	X	•	X
28	HALL SENSOR P.C. BOARD	W05X0380R	1	X	X	X	X

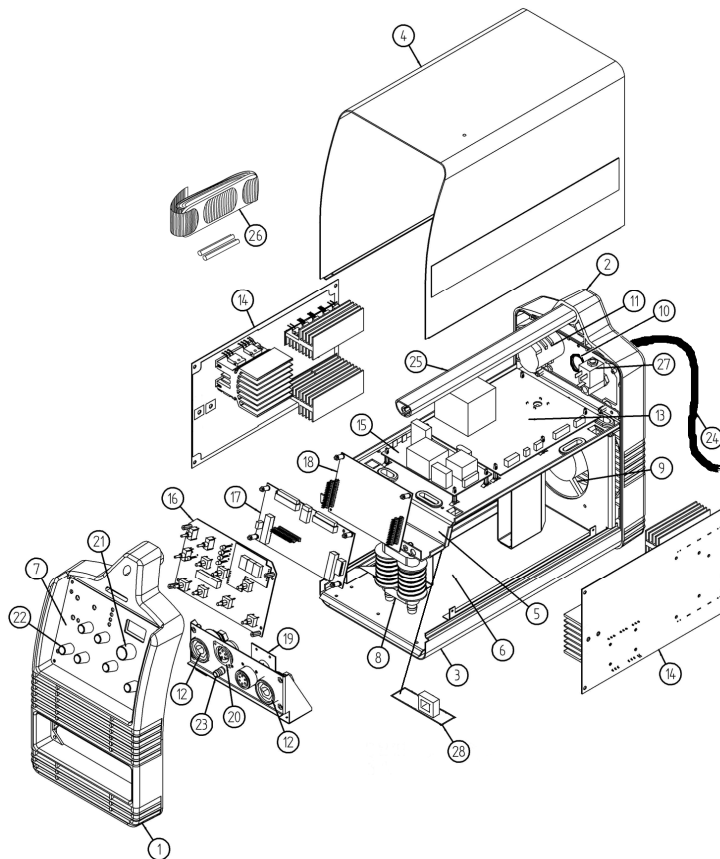
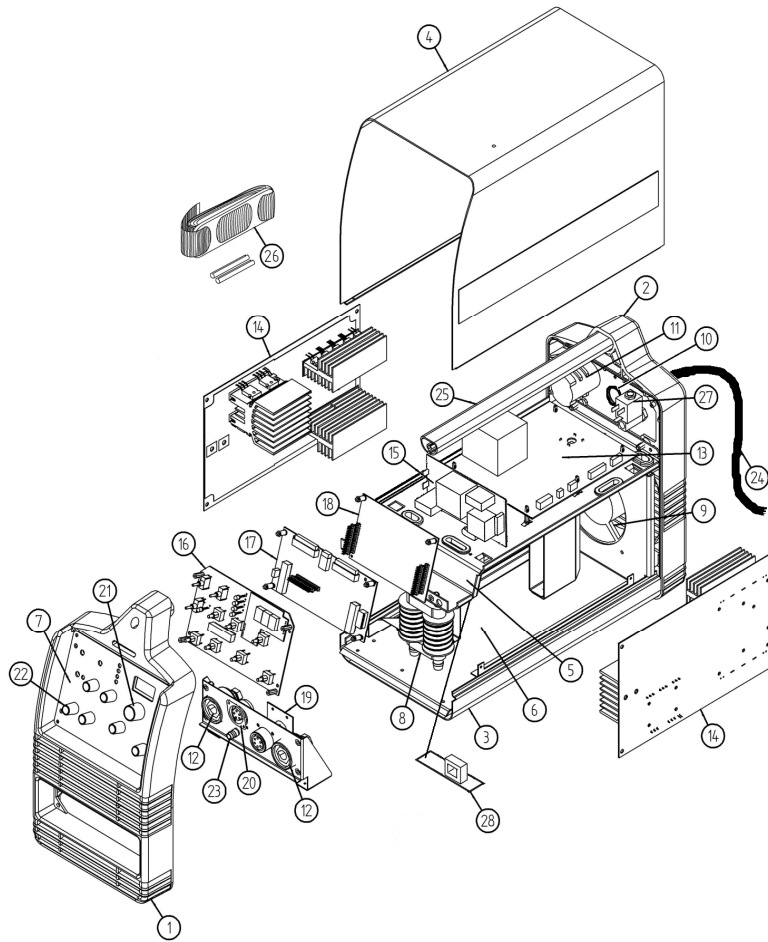


Figure A

**Miscellaneous Items (not showed in figures A & B)**

Item	Description	Part Number	QTY	1	2	3	4
	AUXILIARY FUSE ON INPUT BOARD	W7301000R	2	X	X	X	X
	OUTPUT FILTER CAPACITORS	W66X0484R	1	X	X	X	X



**Figure B**