

## CODE 52047, 52048, 52049, 52050, 52053, 52054, 52055, 52056, 52085, 52086

ASSEMBLY PAGE NAME		Machine Assembly V270	Machine Assembly V270 2V	Miscellaneous items
CODE NO.:	FIGURE NO.:	A	B	-
52047	V270-S CE	1	-	1
52048	V270-S AUS	1	-	1
52049	V270-S 2V CE	-	2	1
52050	V270-T CE	3	-	1
52086	V270-T ASG CE	-	8	1
52085	V270-T 2V ASG CE	-	7	1
52053	V270-TP CE	4	-	1
52054	V270-TP AUS	4	-	1
52055	V270-TP 2V CE	-	5	1
52056	V270-TP 2V ASG CE	-	6	1

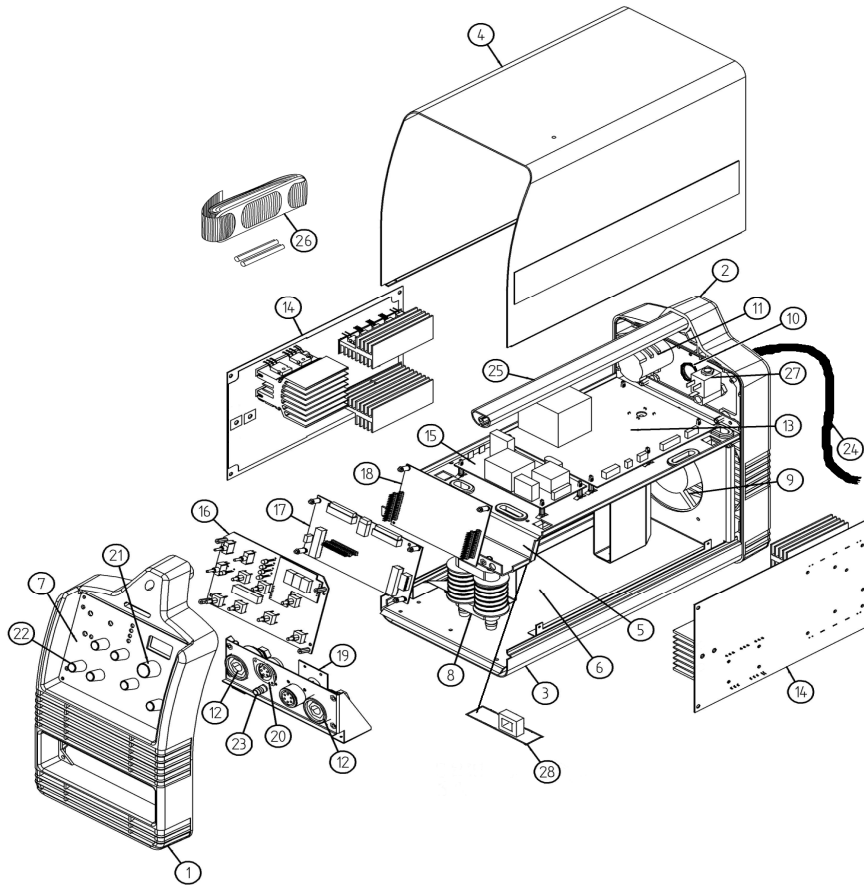
### Figures A & B: Machine Assemblies

Item	Description	Part Number	QTY	1	2	3	4	5	6	7	8
1	FRONT PANEL	W95X0331R	1	X	X	X	X	X	X	X	X
2	REAR PANEL	W95X0332R	1	X	X	X	X	X	X	X	X
3	COMPLETE EXTERNAL BASE	W93X0327R	1	X	X	X	X	X	X	X	X
4	WRAPAROUND	W93X0326R	1	X	X	X	X	X	X	X	X
	+ SIDE DECALS	W07X0822R		X	X	X	X	X	X	X	X
5	INTERNAL UPPER SUPPORT	W93X0312R	1	X	X	X	X	X	X	X	X
6	INTERNAL BASE	W93X0308R	1	X	X	X	X	X	X	X	X
7	CONTROL PANEL S	W93X0826R	1	X	X	•	•	•	•	•	•
	+ FRONT DECAL	W07X0719R		•	•	X	•	•	•	X	X
7	CONTROL PANEL T	W93X0827R	1	•	•	X	•	•	•	X	X
	+ FRONT DECAL	W07X0831R		•	•	•	X	X	X	•	•
7	CONTROL PANEL TP	W93X0827R	1	•	•	•	X	X	X	•	•
	+ FRONT DECAL	W07X0720R		•	•	X	X	X	•	•	•
8	HF TRANSFORMER	W59X0310R	1	•	•	X	X	X	•	•	•
8	HF TRANSFORMER ASG	W59X0721R	1	•	•	•	•	•	X	X	X
9	FAN	W7200003R	1	X	X	X	X	X	X	X	X
10	INPUT CABLE CLAMP	W8400006R	1	X	•	X	X	•	•	•	X
10	INPUT CABLE CLAMP	W8403222R	1	•	X	•	•	X	X	X	•
11	INPUT SWITCH	W7511703R	1	X	•	X	X	•	•	•	X
11	INPUT SWITCH	W7511704R	1	•	X	•	•	X	X	X	•
12	DINSE CONNECTOR	W7690350R	2	X	X	X	X	X	X	X	X
13	INPUT P.C. BOARD	W05X0290R	1	X	•	X	X	•	•	•	X
13	INPUT P.C. BOARD	W05X0411R	1	•	X	•	•	X	X	X	•
14	INVERTER P.C. BOARD	W05X0430R	2	X	X	X	X	X	•	•	•
14	INVERTER P.C. BOARD ASG	W05X0430R1	2	•	•	•	•	•	X	X	X
15	HF P.C. BOARD	W05X0285R	1	•	•	X	X	X	•	•	•

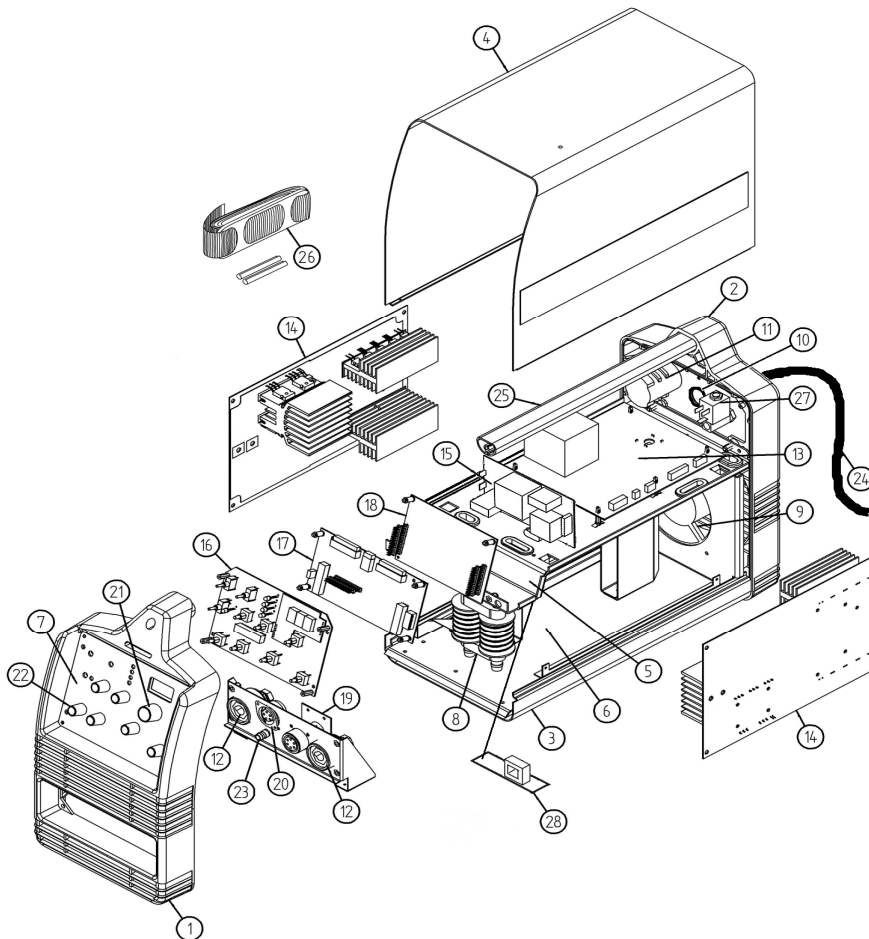
15	HF P.C. BOARD ASG	W05X0724R	1	.	.	.	.	.	.	X	X	X
16	DISPLAY P.C. BOARD S	W05X0713R	1	X	X	.	.	.	.	.	.	.
	+ SWITCH COVER CAP	W7500007R	3									
16	DISPLAY P.C. BOARD T	W05X0746R	1	.	.	X	.	.	.	X	X	
	+ SWITCH COVER CAP	W7500007R	2									
16	DISPLAY P.C. BOARD TP	W05X0714R	1	.	.	.	X	X	X	.	.	.
	+ SWITCH COVER CAP	W7500007R	2									
17	CONTROL INTERFACE P.C. BOARD	W05X0568R	1	X	X	X	X	X	.	.	.	.
17	CONTROL INTERFACE P.C. BOARD ASG	W05X0568-1R	1	.	.	.	.	.	.	X	X	X
18	CONTROL P.C. BOARD	W05X0233R	1	X	X	X	X	X	.	.	.	.
18	CONTROL P.C. BOARD ASG	W05X0233-1R	1	.	.	.	.	.	.	X	X	X
19	REMOTE P.C. BOARD REMOTE CONNECTOR	W05X0322R	1	X	X	X	X	X	X	X	X	X
20	TRIGGER CONNECTOR	W6100315R	1	.	.	X	X	X	X	X	X	X
21	KNOB (LARGE)	W8700030R	1	X	X	X	X	X	X	X	X	X
22	KNOB (SMALL)	W8700016R	2	X	X	X	.	.	.	X	X	
22	KNOB (SMALL)	W8700016R	6	.	.	.	X	X	X	.	.	.
23	FEMALE QUICK CONNECT GAS CONNECTOR	W8800076R	1	.	.	X	X	X	X	X	X	X
24	INPUT CORD	W78X0337R	1	X	.	X	X	.	.	.	.	X
24	INPUT CORD	W78X0436R	1	.	X	.	.	X	X	X	.	.
25	HANDLE	W92X0228-2R	1	X	X	X	X	X	X	X	X	X
26	CARRYING STRAP	W92X0264R	1	X	X	X	X	X	X	X	X	X
27	GAS SOLENOID	W8500004R	1	.	.	X	X	X	X	X	X	X
28	HALL SENSOR P.C. BOARD	W05X0380R	1	X	X	X	X	X	X	X	X	X

**Miscellaneous Items (not showed in figures A & B)**

Item	Description	Part Number	QTY	1
	AUXILIARY FUSE ON INPUT BOARD	W7301000R	2	X
	OUTPUT FILTER CAPACITORS	W66X0484R	1	X



**Figure A**



**Figure B**