

CODE 52012, 52013

ASSEMBLY PAGE NAME		Machine Assembly	Miscellaneous items
CODE NO.:	FIGURE NO.:	A	-
52012	V405-S	1	1
52013	V405-T	2	2

Figure A: Machine Assembly

Item	Description	Part Number	QTY	1	2
1	FRONT PANEL	W95X0355R	1	X	X
2	REAR PANEL	W95X0356R	1	X	X
3	COMPLETE EXTERNAL BASE	W93X0387R	1	X	X
4	WRAPAROUND TOP	W93X0386R	1	X	X
5	WRAPAROUND LEFT SIDE WITH DECAL	W93X0388R	1	X	X
6	WRAPAROUND RIGHT SIDE WITH DECAL	W93X0389R	1	X	X
7	CONTROL PANEL WITH DECAL	W93X0440R	1	X	•
7	CONTROL PANEL WITH DECAL	W93X0403R	1	•	X
8	HF TRANSFORMER	W59X0492R	1	•	X
9	AUXILIARY TRANSFORMER	W59X0417R	1	X	X
10	FAN	W66X0477R	2	X	X
11	INPUT CABLE CLAMP	W8403222R	1	X	X
12	INPUT SWITCH	W7511704R	1	X	X
13	DINSE CONNECTOR	W7690351R	2	X	X
14	INPUT P.C. BOARD	W05X0486R	1	X	X
15	INVERTER P.C. BOARD	W05X0430R	4	X	X
16	HF P.C. BOARD	W05X0285R	1	•	X
17	HALL SENSOR P.C. BOARD	W05X0380R	2	X	X
18	SMPS P.C. BOARD	W05X0487R	1	X	X
19	DISPLAY P.C. BOARD	W05X0449R	1	X	•
19	DISPLAY P.C. BOARD	W05X0450R	1	•	X
20	CONTROL INTERFACE P.C. BOARD	W05X0568R	1	X	X
21	CONTROL P.C. BOARD	W05X0233R	1	X	X
22	REMOTE P.C. BOARD WITH REMOTE CONNECTOR	W05X0322R	1	X	X
23	TRIGGER CONNECTOR	W6100315R	1	•	X
24	KNOB (LARGE)	W8700022R	1	X	X
25	KNOB (SMALL)	W8700016R	2	X	•
25	KNOB (SMALL)	W8700016R	6	•	X
26	FEMALE QUICK CONNECT GAS CONNECTOR	W8800076R	1	•	X
27	INPUT CORD	W78X0436R	1	X	X
28	HANDLE	W92X0375-1R	1	X	X
29	GAS SOLENOID	W8500004R	1	•	X

Miscellaneous Items (not showed in figure A)

Item	Description	Part Number	QTY	1	2
	AUXILIARY FUSE ON SMPS BOARD	W7301000R	1	X	X
	OUTPUT FILTER CAPACITORS	W66X0484R	1	X	X

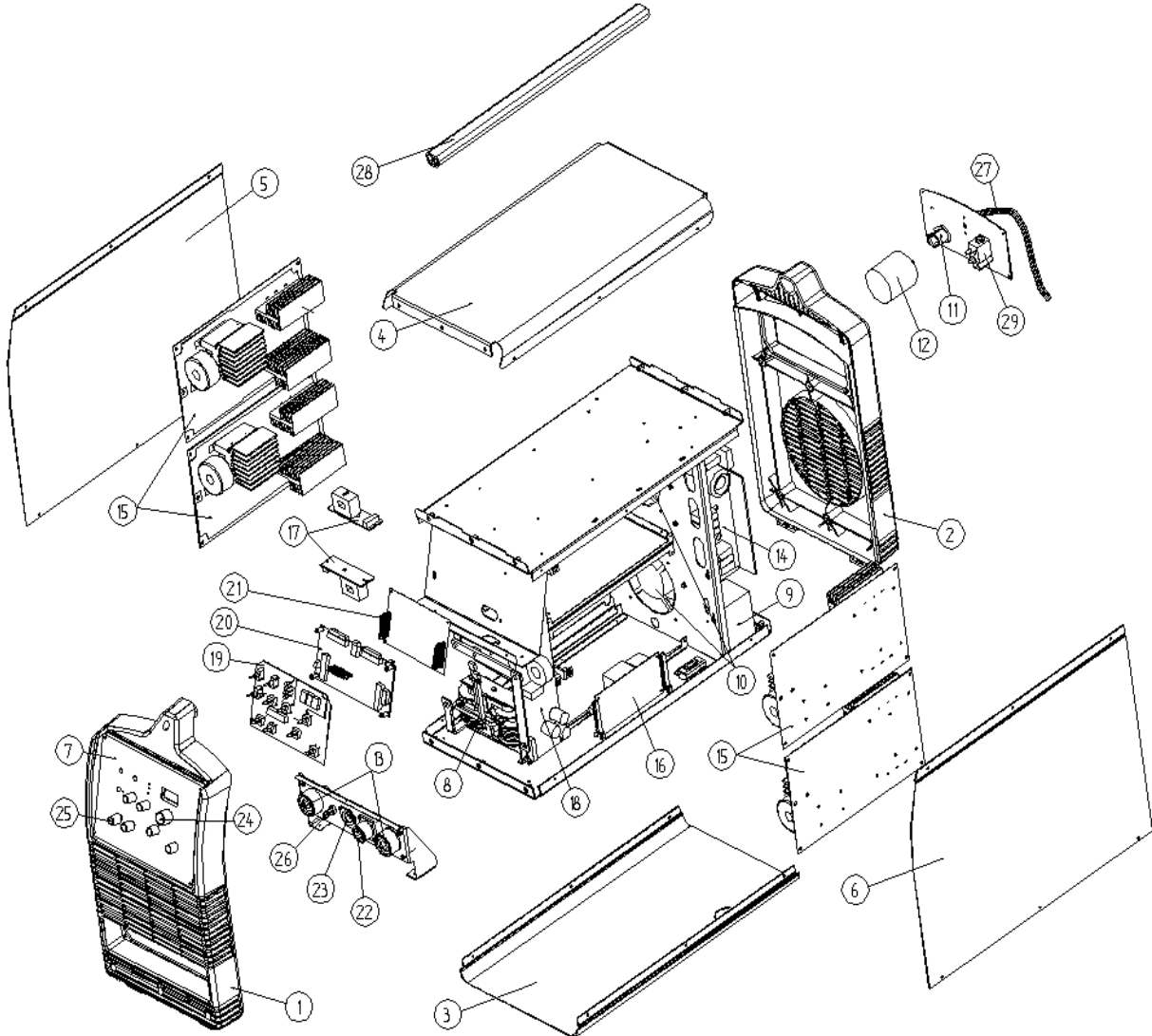


Figure A