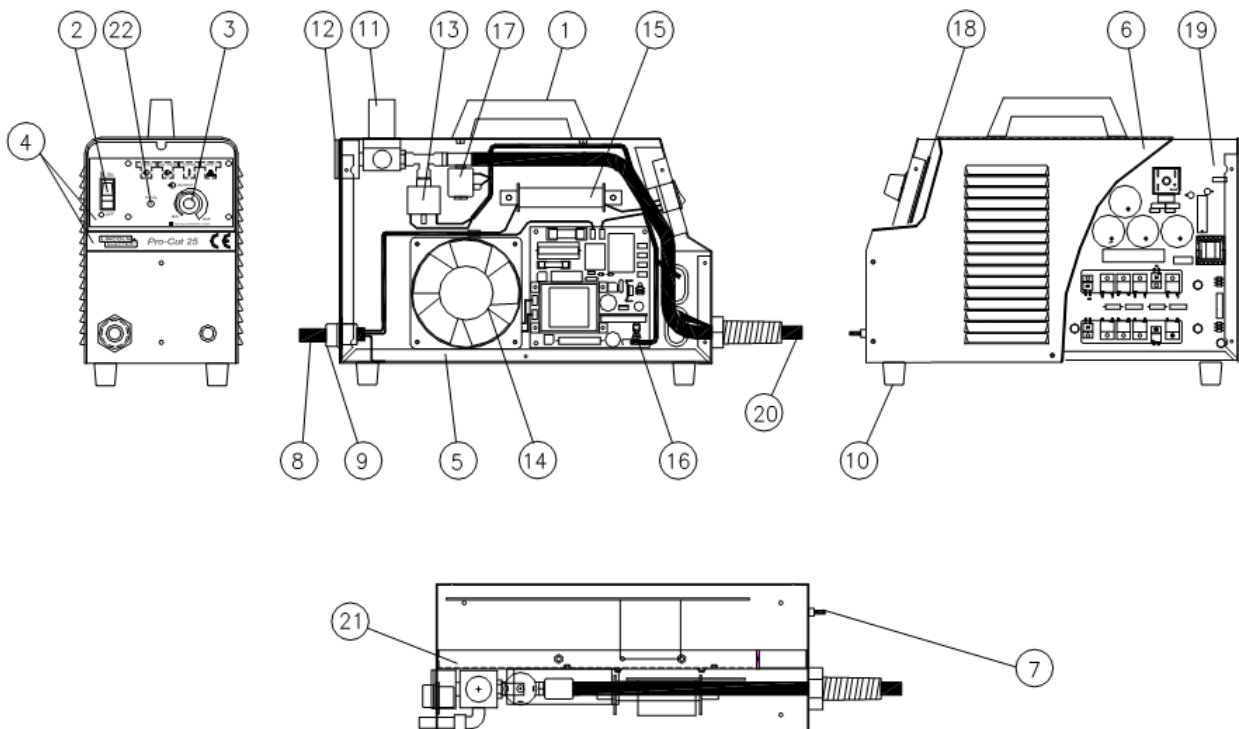


CODE WF200115

PRO-CUT 25

Item	Part Number	Description	QTY
1	W9200041	Handle	1
2	W7500012	Power Switch	1
3	W870022R	Knob	1
4	W07X0034	Front Nameplates	1
5	W9398089	Frame	1
6	W9398098	Cover	1
7	W7917095	Work Cable and Clamp	1
8	W78X0053	Input Cable	1
9	W8460038	Cable Restraint	1
10	W8400044	Plastic Foot	4
11	W8800017	Air Regulator	1
12	W8800018	Pressure Guage	1
13	W8800019	Pressure Switch	1
14	W7200004	Fan, 220Vac	1
15	W58X0040	Input Inductor	1
16	W05X0044R	Input PCB	1
17	W8500004	Solenoid Valve	1
18	W0501600R	Control PCB	1
19	W0504400R	Inverter PCB	1
20	W0400049R	PCT-20 Plasma Torch, 5m	1
21	W9396333	Center Panel	1
22	W75000P4	Push Button Cap	1



X0185